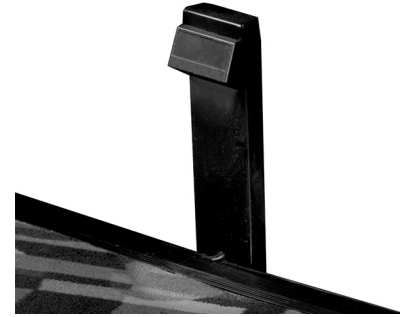


Sentinel™ Post Light LED



APPLICATION

Tempo's Post Light is a low voltage, class 2, LED based pathway and step lighting luminaire that incorporates lighting-class LED's within a compact down-light assembly mounted to an industrial strength post. The Post Light is perfect for live performance auditoriums, cinemas and a wide variety of commercial and institutional applications.

The Post Light luminaire is extremely durable and will stand up to the harshest indoor environments. It is constructed of a two-piece die cast aluminum housing with a black anodized finish, paired with an impact resistant acrylic lens. Utilizing high output, low energy consuming, lighting class LED's, Post Light offers years of maintenance free service.

CONSTRUCTION

- Post constructed of .167" thick steel
- Luminaire housing constructed of die cast aluminum
- Mounts to step risers with HILTI® bolts (provided by Tempo) and has a hollow core that accommodates wire runs
- Easily replaceable LED modules

POWER SYSTEM

- Remote magnetic transformer
- Low Voltage – Class 2 wiring
- Dimmable with compatible transformers and dimmers

SUGGESTED COMPANION PRODUCTS

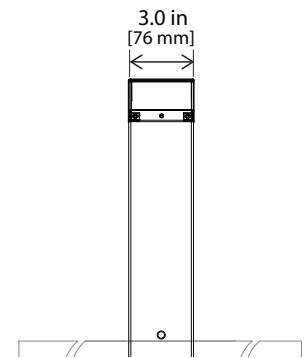
- LPS® – Raceway
- LPS® – Raceway J-Box
- 12VAC Low Voltage transformers

PERFORMANCE

- Superior thermal management
- Standard <0.5 watts energy consumption per LED module
- Rated for a minimum of 86,000 (L85) hours at 25°C ambient operating temperature

LIGHT CHARACTERISTICS

- Lighting class LED's
- Available in 1600K, 2200K, 2700K and 3500K White (Red, Green and Blue LEDs also available)



WARRANTY

Tempo provides a 2 year limited warranty. A 5 year limited warranty will apply when installed by a Tempo Certified Installer.



Sentinel™ Post Light LED

ORDERING INFORMATION

Example: SL1-PL-16-BK-22K

SL1 Series, Post Light, 16" Height, Black Anodized Finish, 2200K

SL1		PL			
PLATFORM					
Series	Assembly	Post Height ¹	Metal Finish	LED Colors ²	
SL1	SL1 Series	PL Post Light	16 16" 18 18" 24 24"	BK Black Anodized CUS Custom - Consult Factory	16K 1600K 22K 2200K 27K 2700K 35K 3500K RD Red GR Green BL Blue

NOTES:

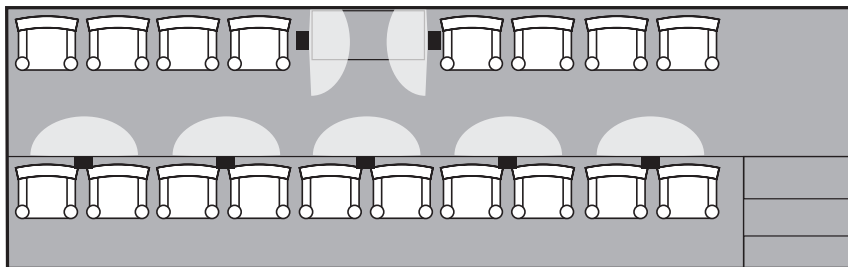
- (1) Select total post height based on riser height, see dimensional information. Luminaire will always position 12" from surface to be illuminated.
- (2) Consult factory for alternate color LED options.

SYSTEM INTEGRATION ACCESSORIES

POWER SUPPLIES		
	PWR-T010012/2	120V AC Input, 12V AC Output, 100W, 2 Circuit, Class II Magnetic Transformer, NEMA 3R Case
	PWR-T015012/2	120V AC Input, 12V AC Output, 150W, 3 Circuit, Class II Magnetic Transformer, NEMA 3R Case
	PWR-T025012/2	120V AC Input, 12V AC Output, 250W, 4 Circuit, Class II Magnetic Transformer, NEMA 3R Case
SURGE SUPPRESSION DEVICE A Tempo furnished surge suppression device must be installed on each supplying branch circuit to comply with Tempo's 5-year warranty terms		
	SSD-120	120V Branch Circuit
	SSD-277	277V Branch Circuit

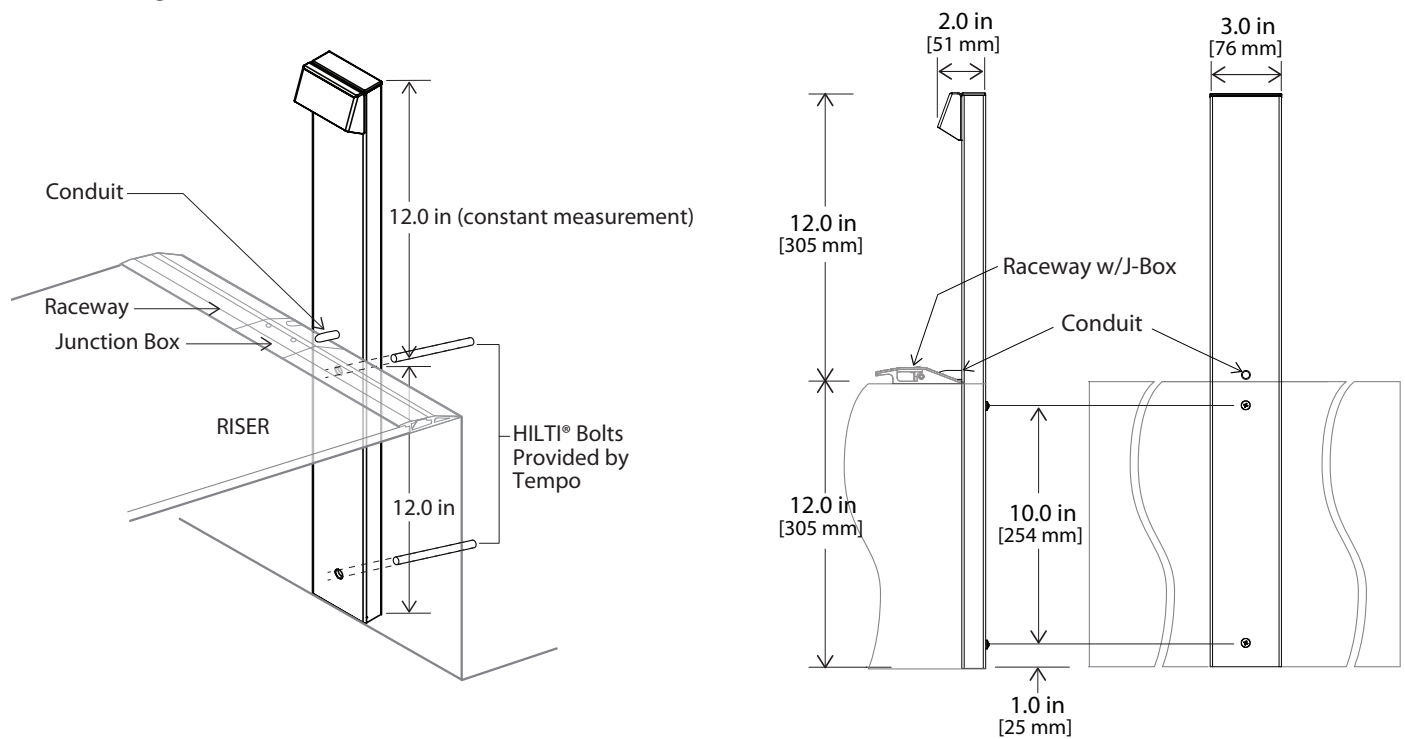
Sentinel[™] Post Light LED

TYPICAL APPLICATION



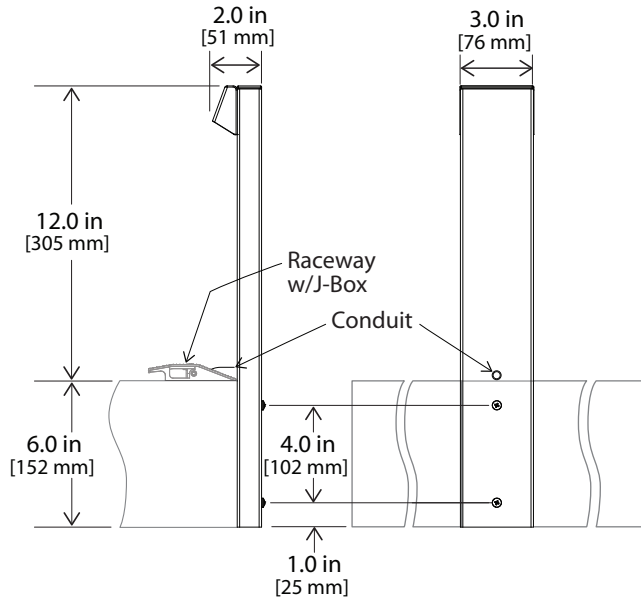
DIMENSIONAL INFORMATION

24" Post Height



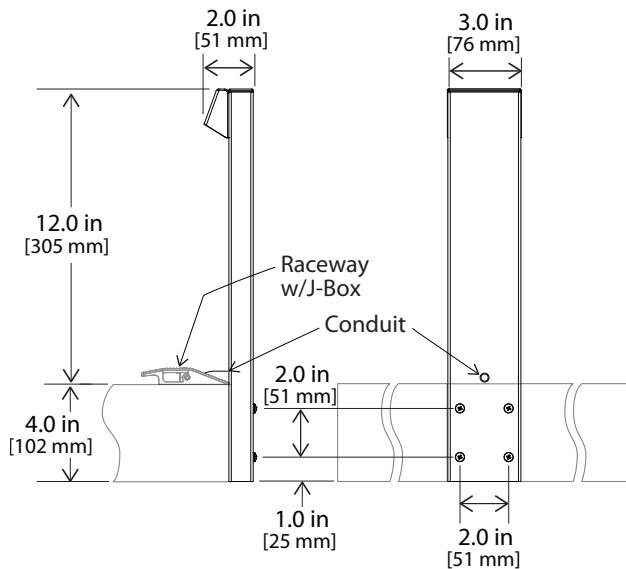
DIMENSIONAL INFORMATION

18" Post Height



DIMENSIONAL INFORMATION

16" Post Height



Tempo products and technologies are protected under one or more US and International patents.

Tempo reserves the right to change materials or modify the design of its product without notification as part of the company's continuing product improvement program. Please consult www.tempollc.com for the most up-to-date specifications and technical data.