

## LPS<sup>®</sup> System

### LOW PROFILE STEP NOSE AND RACEWAY COMPONENTS



#### APPLICATION

Designed as part of a complete solution, the LPS system is available in solid gray or black with a 1" nominal contrasting gray stripe to help delineate the edge of walkways and aisles. The LPS Raceway, a low cost solution for both carpet trim and electrical cable routing, is designed to provide a clean transition from carpeted to uncarpeted areas on flat or sloped surfaces with the added functionality of providing a code compliant, low voltage wire way.

#### CONSTRUCTION

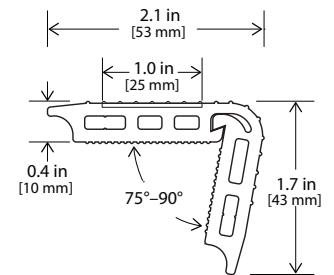
- Extruded vinyl profile in solid gray or black with a contrasting gray stripe (nominal 1")
- End caps are mechanically attached to the step nose for secure installation and durability
- Transitional components include LPS Step Reducer, Carpet Flap Extension and Carpet Edge
- Two distinct low-profile junction box designs
- Junction Boxes constructed of durable die-cast zinc
- Raceway for use with Class 2 power systems only

#### PERFORMANCE

- Solid gray or black with a contrasting gray stripe help visually identify the edge of steps
- Low profile design engineered to work with most popular low pile carpets
- Designed to handle step angles from 75° to 90°
- Durable, flexible vinyl extrusion conforms to uneven surfaces
- Eliminates potential hazards associated with hard PVC or aluminum extrusions
- Junction boxes designed to integrate seamlessly into a complete step and aisle lighting solution with other Tempo products

#### SUGGESTED COMPANION PRODUCTS

- SW3<sup>®</sup> Aisle, Step and Pathway Lighting
- Vanguard Illuminated Displays



#### WARRANTY

Minimum 2 year limited warranty. Contact customer service for more details on warranty options.



## LPS<sup>®</sup> System

LOW PROFILE STEP NOSE AND RACEWAY COMPONENTS

### ORDERING INFORMATION

Example: LPS-GS-48

LPS Step Nose, Gray Stripe, 48" Length

<b>LPS</b>			
<b>PLATFORM</b>			
<b>Series</b>	<b>Extrusion Color</b>	<b>Length</b>	
<b>LPS</b> LPS Step Nose	<b>GY</b> Gray	<b>24</b>	24"
	<b>GS</b> Gray Stripe	<b>36</b>	36"
	<b>SPL</b> Custom colors special order (5000ft minimum)	<b>42</b>	42"
		<b>48</b>	48"
		<b>54</b>	54"
		<b>60</b>	60"
		<b>66</b>	66"
		<b>72</b>	72"
		<b>78</b>	78"
		<b>84</b>	84"
<b>90</b>	90"		
	<b>96</b>	96"	

**NOTES:**

Required adhesive ordered separately.

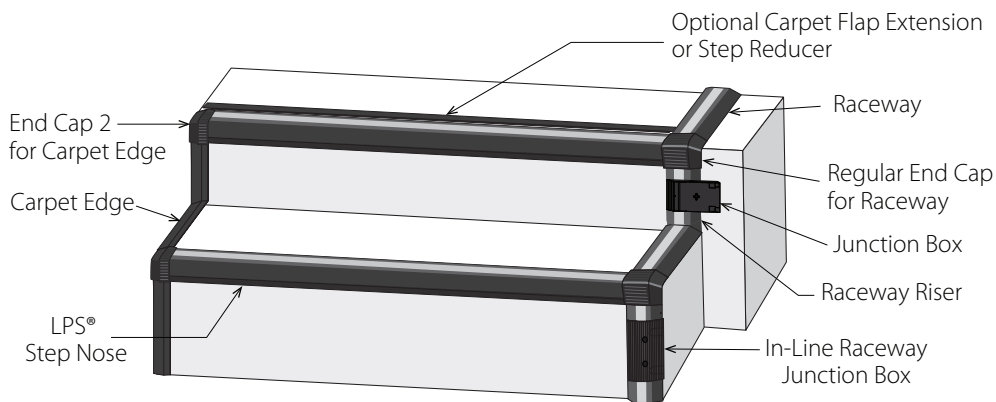
Uncut roll stock and forming machine are available for shipments outside North America.

## LPS<sup>®</sup> System

LOW PROFILE STEP NOSE AND RACEWAY COMPONENTS

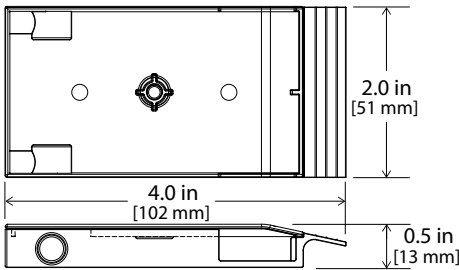
### SYSTEM INTEGRATION ACCESSORIES

J-BOX		
	<b>LPS-BK-JBX</b>	LPS Junction Box, Black
	<b>LPS-BK-RW-JBX</b>	LPS Inline Raceway J-Box, Black
MISC		
	<b>LPS-BK-CE</b>	LPS Carpet Edge, Black, 120ft roll
	<b>LPS-BK-SR</b>	LPS Step Reducer, Black, 120ft roll
	<b>LPS-BK-CFE</b>	LPS Carpet Flap Extension, Black, 120ft roll
	<b>LPS-BK-CFE-CUT</b>	LPS Carpet Flap Extension, Black, Custom Cut Length, minimum 30ft roll - Consult factory for details
RACEWAY		
	<b>LPS-BK-RW-CF-B</b>	LPS Raceway, Black, Carpet to Floor, Base, 8ft
	<b>LPS-BK-RW-CC-B</b>	LPS Raceway, Black, Carpet to Carpet, Base, 8ft
	<b>LPS-BK-RW-CV-B</b>	LPS Raceway, Black, Carpet to VCT/LVT, Base, 8ft
	<b>LPS-GY-RW-C</b>	LPS Raceway, Gray, Cover, 8ft
	<b>LPS-BK-RW-C</b>	LPS Raceway, Black, Cover, 8ft
	<b>LPS-BK-RW-RSR</b>	LPS Raceway, Black, Riser, 8in, square cut in field for left or right
END CAPS		
	<b>LPS-BK-EC2-L</b>	LPS Endcap for Carpet Edge, Black, Left
	<b>LPS-BK-EC2-R</b>	LPS Endcap for Carpet Edge, Black, Right
	<b>LPS-BK-EC-L</b>	LPS Endcap for Raceway, Black, Left
	<b>LPS-BK-EC-R</b>	LPS Endcap for Raceway, Black, Right
	<b>LPS-GY-EC-L</b>	LPS Endcap for Raceway, Gray, Left
	<b>LPS-GY-EC-R</b>	LPS Endcap for Raceway, Gray, Right
ADHESIVE - Must be purchased from Tempo. Adhesive provided is a special formulation designed and tested to ensure product is secure, reducing the likelihood of trips and falls.		
	<b>ADH-BOND-02</b>	Tempo Set & Step Advanced Hybrid Adhesive, 1 tube required per 50ft of product
	<b>ADH-SPREADER</b>	Adhesive Spreader



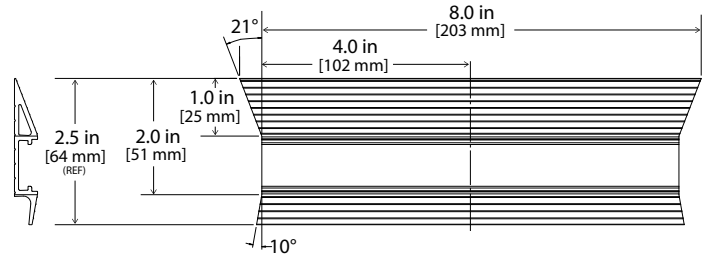
## DIMENSIONAL INFORMATION

LPS Junction Box (LPS-BK-JBX)

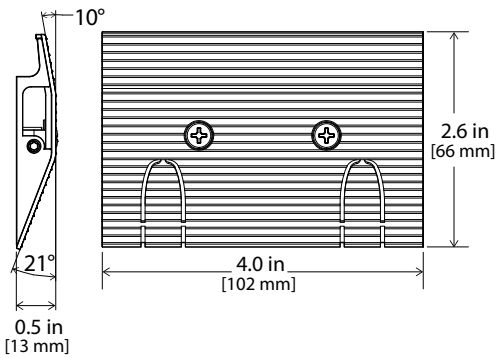


Raceway Riser (LPS-BK-RW-RSR)

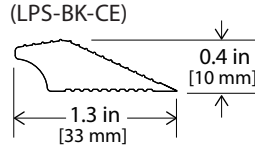
Square cut one end for left or right



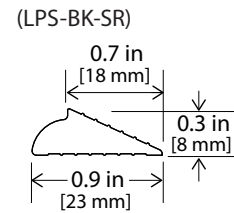
LPS Inline Raceway Junction Box (LPS-BK-RW-JBX)



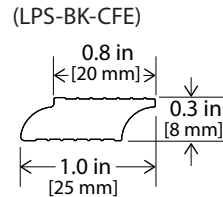
LPS Carpet Edge (LPS-BK-CE)



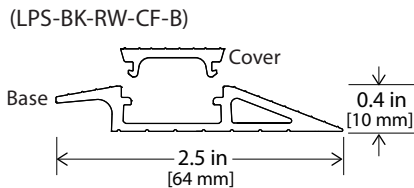
LPS Step Reducer (LPS-BK-SR)



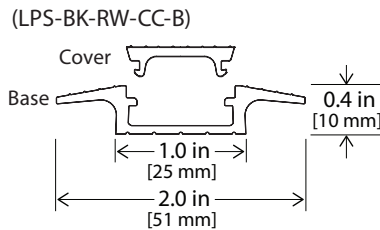
LPS Carpet Flap Extension (LPS-BK-CFE)



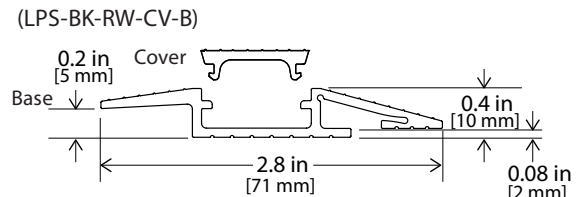
LPS Raceway Carpet to Floor (LPS-BK-RW-CF-B)



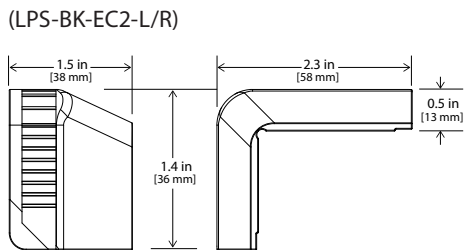
LPS Raceway Carpet to Carpet (LPS-BK-RW-CC-B)



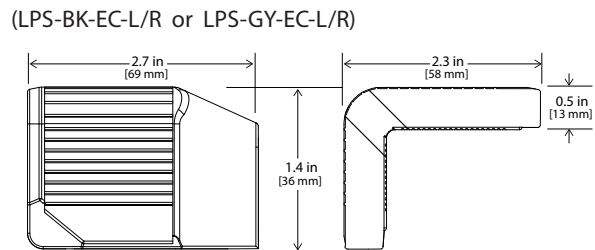
LPS Raceway Carpet to VCT/LVT (LPS-BK-RW-CV-B)



LPS Step Nose End Cap for use with Carpet Edge (LPS-BK-EC2-L/R)



LPS Step Nose End Cap for use with Raceway (LPS-BK-EC-L/R or LPS-GY-EC-L/R)



Tempo products and technologies are protected under one or more US and International patents.

Tempo reserves the right to change materials or modify the design of its product without notification as part of the company's continuing product improvement program. Please consult [www.tempollc.com](http://www.tempollc.com) for the most up-to-date specifications and technical data.