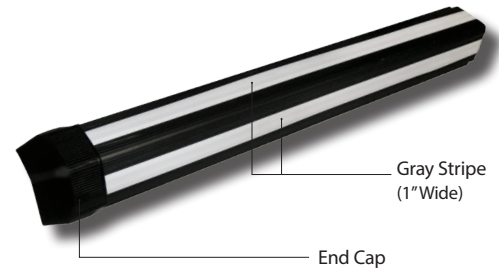


# Guardian Series 2300

NON-LIT STRIPED STEP NOSE SYSTEM



## ATTRACTIVE, SAFE, STEP EDGE DELINEATION

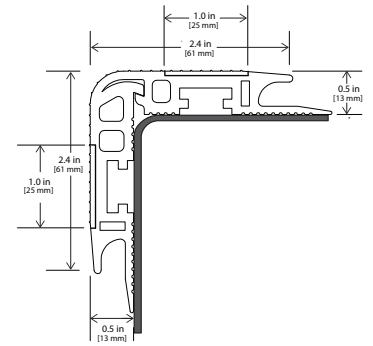
Tempo's Guardian 2300 Series Striped Step Nose product helps to delineate the edge of the step with a nominal 1" wide contrasting stripe. The system is available with end caps for a finished appearance.

## CONSTRUCTION

- Durable, flexible vinyl extrusion conforms to uneven surfaces, eliminating potential hazards associated with hard PVC or aluminum extrusions
- Available in solid gray, solid black or with nominal 1" contrasting stripe of black, gray or custom color
- An optional carpet shim allows for carpet thinner than 5/16" thick to maintain a more flush contact to the extrusion
- System is available with end caps for a finished appearance

## PERFORMANCE

- Molds to uneven surfaces to ensure a long lasting and structurally sound nose edge.
- Design incorporates a "living hinge" to allow the step nose to be installed securely on steps with riser angles of 75 to 90 degree
- May be used in conjunction with any Sentinel System product to greatly improve visibility of a step edge as well as the aesthetics of the area



## WARRANTY

Minimum 2 year limited warranty. Contact customer service for more details on warranty options.



ADA Compliant

## SUGGESTED COMPANION PRODUCTS

- Guardian 2300 LED Lit Tread & Riser Step Nose. See 2300L spec sheet for details



# Guardian Series 2300

NON-LIT STRIPED STEP NOSE SYSTEM

## ORDERING INFORMATION

### GUARDIAN SERIES 2300 STEP NOSE

Example: 2300GS-048

2300 Series, black vinyl, 48" in length

<b>23</b>		
<b>PLATFORM</b>		
<b>Series</b>	<b>Vinyl Color</b>	<b>Length</b>
<b>23</b> 2300 Series	<b>BK</b> Black <b>GY</b> Solid Gray <b>GS</b> Black w/Gray Stripe <b>DS</b> Dual Stripe  <b>**</b> Custom Colors on Special Order	<b>30" - 144"</b> Specify in 6" increments

**NOTES:**

Step Nose is cut 2" longer than ordered and is to be cut to size in the field.

## Guardian Series 2300

NON-LIT STRIPED STEP NOSE SYSTEM

### SYSTEM INTEGRATION ACCESSORIES

END CAPS		
	<b>2300-BK-EC</b>	Solid Black End Cap
	<b>2300-GY-EC</b>	Solid Gray End Cap

J-BOX		
	<b>LPS-BK-JBX</b>	LPS Junction Box, Black
	<b>LPS-BK-RW-JBX</b>	LPS Inline Raceway J-Box, Black

RACEWAY		
	<b>LPS-BK-RW-CF-B</b>	LPS Raceway, Black, Carpet to Floor, Base, 8ft
	<b>LPS-BK-RW-CC-B</b>	LPS Raceway, Black, Carpet to Carpet, Base, 8ft
	<b>LPS-GY-RW-C</b>	LPS Raceway, Gray, Cover, 8ft
	<b>LPS-BK-RW-C</b>	LPS Raceway, Black, Cover, 8ft
	<b>LPS-BK-RW-RSR</b>	LPS Raceway, Black, Riser, 8in, square cut in field for left or right

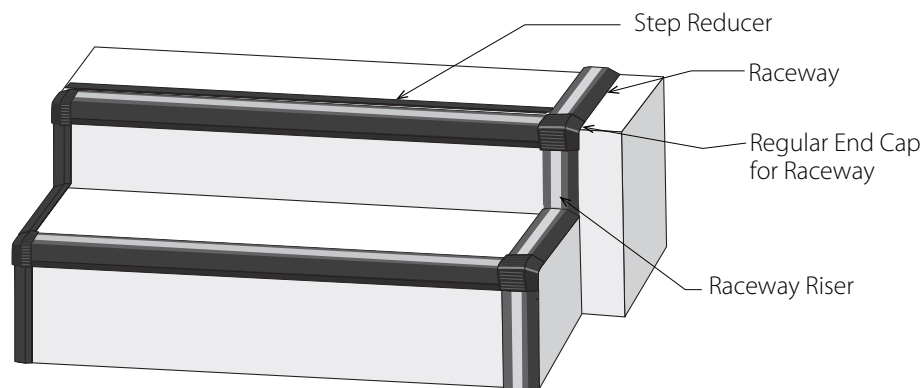
ADHESIVE - Must be purchased from Tempo. 1 tube per 10 ft. of step nose. <sup>1</sup>		
	<b>ADH-BOND-02</b>	Adhesive
	<b>ADH-SPREADER</b>	Adhesive Spreader

MISC		
	<b>SHIM-THINCARPET</b>	Carpet Shim
	<b>LPS-BK-SR</b>	LPS Step Reducer, Black, 120ft roll

**NOTES:**

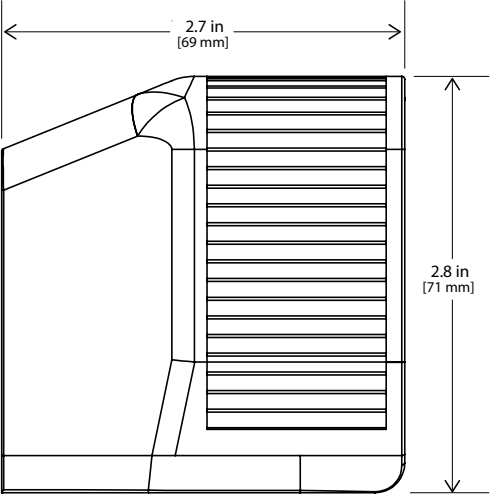
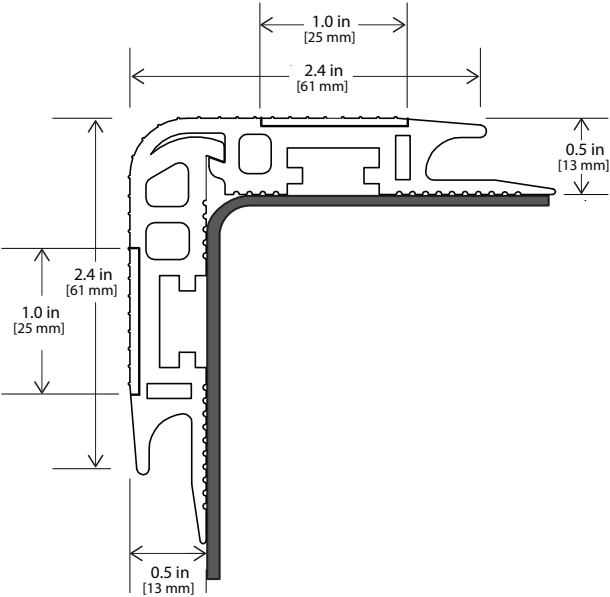
(1) Adhesive provided is a special formulation designed and tested to ensure product is secure, reducing the likelihood of trips and falls.



# Guardian Series 2300

NON-LIT STRIPED STEP NOSE SYSTEM

## DIMENSIONAL INFORMATION



End Cap adds 2.5 in to overall length of product.

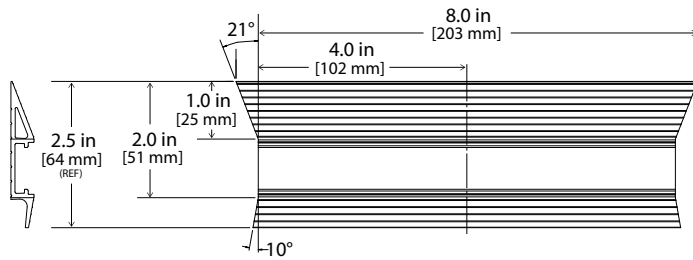
## Guardian Series 2300

NON-LIT STRIPED STEP NOSE SYSTEM

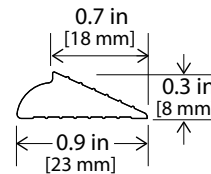
### DIMENSIONAL INFORMATION

#### RACEWAY RISER (LPS-BK-RW-RSR)

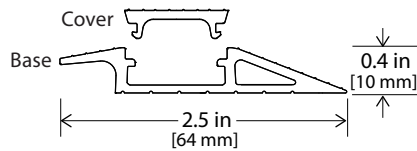
Square cut one end for left or right



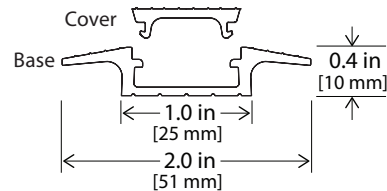
#### STEP REDUCER (LPS-BK-SR)



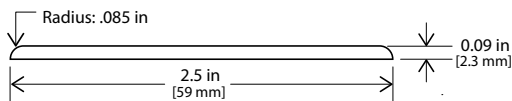
#### RACEWAY CARPET TO FLOOR (LPS-BK-RW-CF-B)



#### RACEWAY CARPET TO CARPET (LPS-BK-RW-CC-B)



#### CARPET SHIM (SHIM-THINCARPET)



Tempo products and technologies are protected under one or more US and International patents.

Tempo reserves the right to change materials or modify the design of its product without notification as part of the company's continuing product improvement program. Please consult [www.tempollc.com](http://www.tempollc.com) for the most up-to-date specifications and technical data.