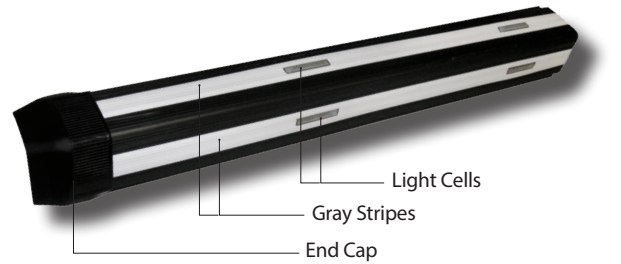


Guardian Series 2300

TREAD/RISER STAIR NOSE LIGHTING



APPLICATION

Tempo's Guardian 2300 Series LED Tread/Riser Stair Nose Lighting is made for tread edge delineated and step landing illumination. The flexible extrusion is designed to create a nose cap that molds to uneven surfaces to ensure a long lasting and structurally sound nose edge. The profile of the Carpet to Carpet version of the Guardian Series is designed to allow the edge of most commercial grade, low pile carpet to be easily tucked under the wings of the vinyl extrusion on both tread and riser. One or two rows of our unique two-inch light cells, The 2300 Series can be customized to meet the design criteria of any venue's steps through the use of available wiring options, end cap arrangements, LED spacing and lighting colors. Non-Lit option available (see 2300NL spec).

CONSTRUCTION

- Made from a durable, flexible extruded vinyl
- Factory assembled up to 12 foot lengths to minimize job site modification and ensure linear module orientation
- Available in solid gray, solid black or with nominal 1" contrasting stripe of black, gray or custom color
- An optional carpet shim allows for carpet thinner than 5/16" thick to maintain a more flush contact to the extrusion

OPTICS / LENS / DIFFUSER

- LED module spacing options available in 6", 9" and 12" on center
- A black reflector option shields LEDs. It is recommended when reflective surfaces are present, such as movie screens.
- Optional clear and tinted diffusers spread the light evenly across the light module

SUGGESTED COMPANION PRODUCTS

- Non-Lit Guardian 2300 Step Nose. See 2300NL spec sheet for details.

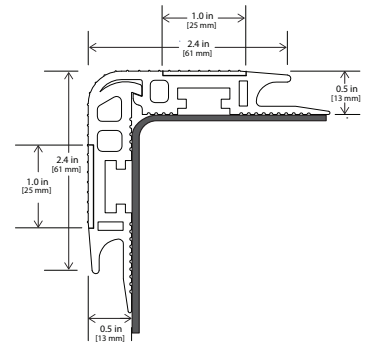
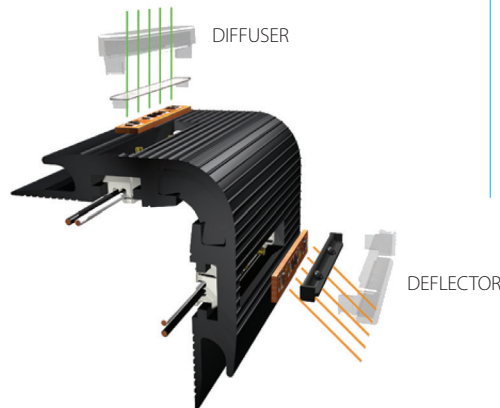


PERFORMANCE

- Can be ordered in standard lengths for job site modification
- Design incorporates a "living hinge" to allow the step nose to be installed securely on steps with riser angles of 75 to 90 degree
- Parallel wiring utilizing Class 2 power supply allows each light source to operate independently, providing superior safety and ease of maintenance
- Only 0.25 watts energy consumption per LED module
- Operates on 12V AC or DC power

LIGHT CHARACTERISTICS

- One or two rows of unique two-inch light cell containing 12V LEDs
- Assorted LED colors available in Blue, Green, White, Amber, Red and Yellow



WARRANTY

Minimum 2 year limited warranty. Contact customer service for more details on warranty options.



Guardian Series 2300

TREAD/RISER STAIR NOSE LIGHTING

ORDERING INFORMATION

GUARDIAN SERIES 2300

Example: 2309-BK-1-BC/YB-08

2300 Series, 9" o.c. module spacing, black vinyl, single circuit, Tread LED Blue w/ clear effect, Riser LED Yellow w/ black deflector, 8 modules

23														
PLATFORM														
Series	Module Spacing	Vinyl Color		Number of Circuits		Tread LED Color		Tread Light Effect		Riser LED Color		Riser Light Effect		Module Count # of LEDs
23 2300 Series	06 6" o.c. 09 9" o.c. 12 12" o.c.	BK Black GY Gray GS Gray Stripe DS Dual Stripe xx* Custom	1 Single 2** Dual	B Blue - 2 LED G Green - 2 LED W White - 2 LED A Amber - 4 LED R Red - 4 LED Y Yellow - 4 LED X No Light	C Clear T Tinted X No Light	B Blue - 2 LED G Green - 2 LED W White - 2 LED A Amber - 4 LED R Red - 4 LED Y Yellow - 4 LED X No Light	B Black Deflector C Clear Diffuser T Tinted Diffuser X No Light	08 8						

*Custom color vinyl can be special ordered for large projects Consult factory for minimum order details.

**When lighting Tread and Riser, it is recommended to power each separately with the use of Tempo's innovative Dual Circuit redundant wiring. Also, select Dual Circuit if powering 180 or more modules on a single run.

MODULE COUNT CALCULATION

Module Count # of LEDs
08 8 Light Modules

The module count refers to the total number of light modules on the tread and riser sections of the step nose product.

Determine module count by taking the approximate length of the step nose in inches and dividing it by the selected module spacing. If two rows of lights are to be used (Tread & Riser), multiply the total module count by two.

IMPORTANT NOTE:

180 or more total modules on a single run must be 2 circuit.

Guardian Series 2300

TREAD/RISER STAIR NOSE LIGHTING

SYSTEM INTEGRATION ACCESSORIES

END CAPS		
	2300-BK-EC	Solid Black End Cap
	2300-GY-EC	Solid Gray End Cap

J-BOX		
	LPS-BK-JBX	LPS Junction Box, Black
	LPS-BK-RW-JBX	LPS Inline Raceway J-Box, Black

RACEWAY		
	LPS-BK-RW-CF-B	LPS Raceway, Black, Carpet to Floor, Base, 8ft
	LPS-BK-RW-CC-B	LPS Raceway, Black, Carpet to Carpet, Base, 8ft
	LPS-GY-RW-C	LPS Raceway, Gray, Cover, 8ft
	LPS-BK-RW-C	LPS Raceway, Black, Cover, 8ft
	LPS-BK-RW-RSR	LPS Raceway, Black, Riser, 8in, square cut in field for left or right

ADHESIVE - Must be purchased from Tempo. 1 tube per 10 ft. of stepnose. ¹		
	ADH-BOND-02	Adhesive
	ADH-SPREADER	Adhesive Spreader

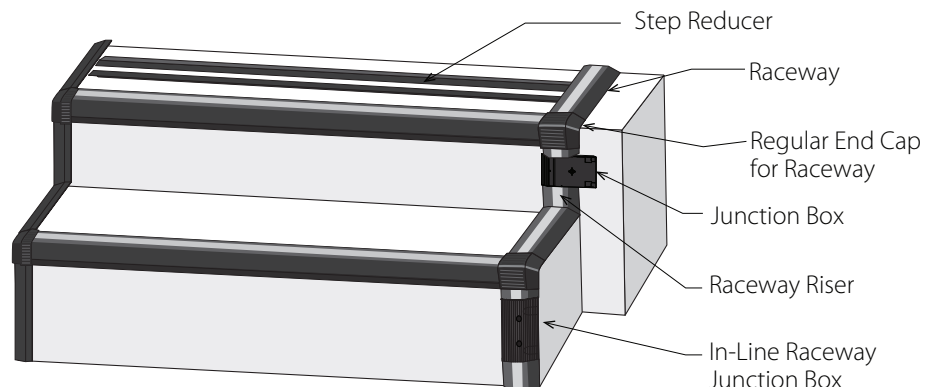
MISC		
	SHIM-THINCARPET	Carpet Shim
	LPS-BK-SR	LPS Step Reducer, Black, 120ft roll

POWER SUPPLIES		
	PWR-T010012/2	120V AC Input, 12V AC Output, 100W, 2 Circuit, Class II Magnetic Transformer, NEMA 3R Case
	PWR-T015012/2	120V AC Input, 12V AC Output, 150W, 3 Circuit, Class II Magnetic Transformer, NEMA 3R Case
	PWR-T025012/2	120V AC Input, 12V AC Output, 250W, 4 Circuit, Class II Magnetic Transformer, NEMA 3R Case

SURGE SUPPRESSION DEVICE A Tempo furnished surge suppression device must be installed on each supplying branch circuit to comply with warranty terms		
	SSD-120	120V Branch Circuit
	SSD-277	277V Branch Circuit

NOTES:

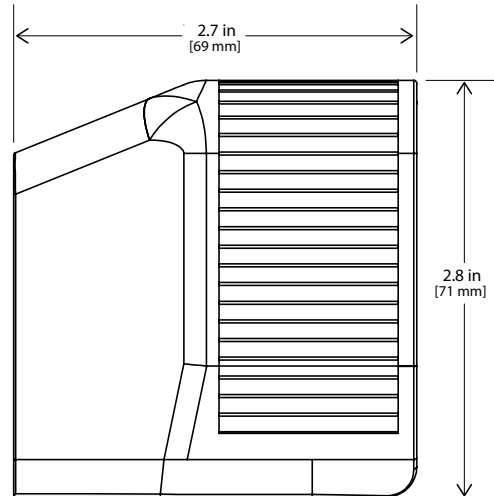
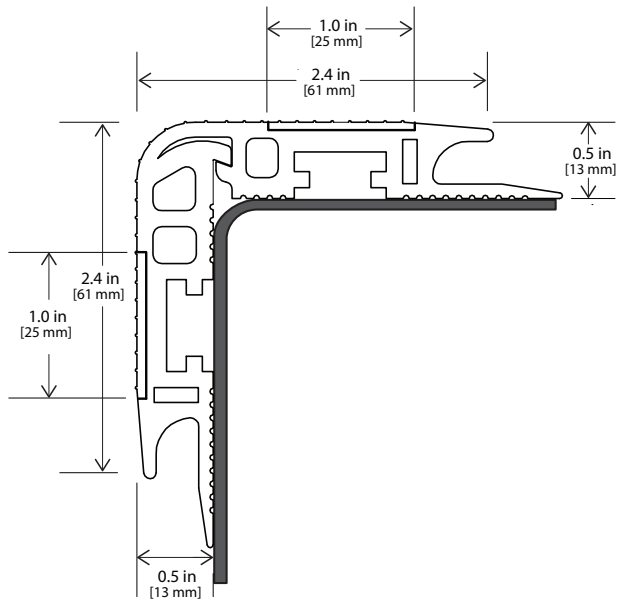
(1) Adhesive provided is a special formulation designed and tested to ensure product is secure, reducing the likelihood of trips and falls.



Guardian Series 2300

TREAD/RISER STAIR NOSE LIGHTING

DIMENSIONAL INFORMATION



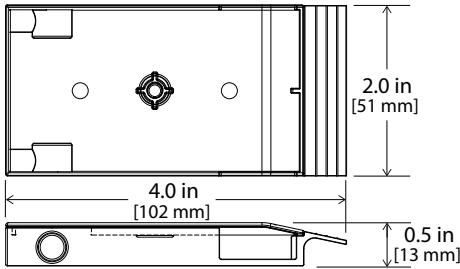
End Cap adds 2.5 in to overall length of product.

Guardian Series 2300

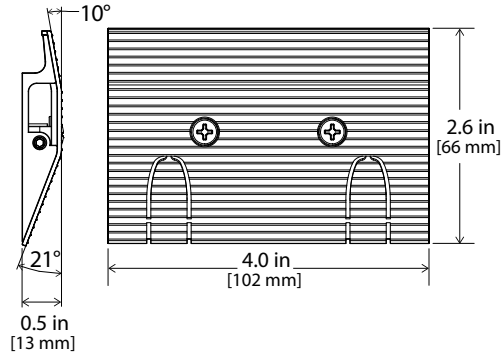
TREAD/RISER STAIR NOSE LIGHTING

DIMENSIONAL INFORMATION

JUNCTION BOX (LPS-BK-JBX)

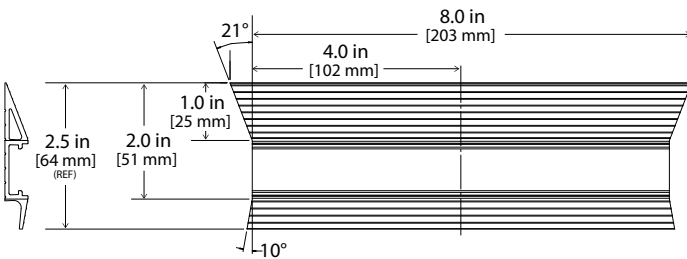


INLINE RACEWAY JUNCTION BOX (LPS-BK-RW-JBX)

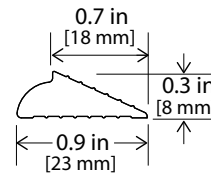


RACEWAY RISER (LPS-BK-RW-RSR)

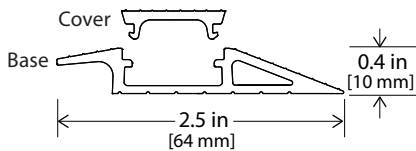
Square cut one end for left or right



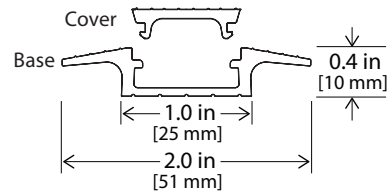
STEP REDUCER (LPS-BK-SR)



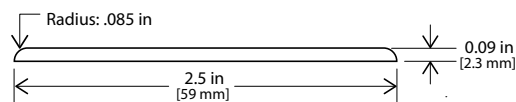
RACEWAY CARPET TO FLOOR (LPS-BK-RW-CF-B)



RACEWAY CARPET TO CARPET (LPS-BK-RW-CC-B)



CARPET SHIM (SHIM-THINCARPET)



Tempo products and technologies are protected under one or more US and International patents.

Tempo reserves the right to change materials or modify the design of its product without notification as part of the company's continuing product improvement program. Please consult www.tempolc.com for the most up-to-date specifications and technical data.