

C6S

SERPENTINE LED LINEAR LIGHTING, HIGH LUMEN INTEGRAL POWER SYSTEM



APPLICATION

The C6S Serpentine product line is designed for high lumen cove lighting as well as wall washing and wall grazing. One foot modules pivot +/- 90 degrees to turn corners or wrap around a curve while maintaining seamless illumination. A unique sliding expansion link, integral to each module, expands 1 inch allowing field adjustable length while maintaining even light distribution.

Designed with modular CLiP[®] (Configurable Lighting Platform), C6R provides options to suit multiple application requirements.

CONSTRUCTION

- Aluminum housings power coat painted in light gray, standard
- Mechanical pivot points articulate up to 90° while maintaining even illumination
- Unique sliding expansion link can expand luminaire up to 1" in length per foot providing field adjustability while maintaining uniform light distribution
- Sections available in lengths of 2ft, 3ft, 4ft, 5ft or 6ft and may be joined to form extended linear runs
- Fully compliant with NEC Article 400
- CSA damp location listed

OPTICS / LENS / DIFFUSER

5 watt model:

- Lightly frosted low profile lens (110° x 110°)
- Half Dome lens with 60° x 115°, Asymmetric, 10° x 60°, 30° x 50° & 50° x 30° optics

9 watt model:

- Lightly frosted low profile lens (110° x 110°)
- Half Dome lens with 60° x 115° & Asymmetric optics

10 watt model:

- Half Dome lens with 10° x 10°, 10° x 60°, 30° x 50° & 50° x 30° optics

POWER SYSTEM

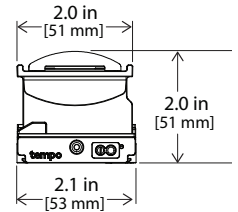
- Integral driver
- Universal (120V-277V) Input with Electronic Low Voltage (ELV) dimming to 5%
- 0-10V dimming with tempo Dimming Interface Module (DIM-Z)

PERFORMANCE

- Nominal 548-981 delivered lumens per foot
- Operating temperature range of -20°C to 50°C
- Power Supply Total Harmonic Distortion <20%, Power Factor >0.9

LIGHT CHARACTERISTICS

- Typical CRI of 80+ in 2000K to 4000K (5W & 9W); 2700K to 4000K (10W); plus Red, Green & Blue.
- 90+ CRI option available with 2700K, 3000K and 3500K.
- LED's are selected and placed on the printed circuit boards via Tempo Industries' UniBin[®] process which ensures consistent hue and color within the entire installation. Color variations are held to a minimum, within a 2-step MacAdam ellipse.



Shown with lightly frosted lens (LL)

WARRANTY

Tempo provides a 5-year limited warranty.

86,000 HOURS

L85 LUMEN MAINTENANCE
LED Luminaires will reach 85% of initial lumen output at or beyond 86,000 hours at 25°C.



PERFORMANCE SUMMARY All data nominal. 3500K test data shown.

Watts/ft	5	9	10
Lumens/ft	548 (LL optic)	981 (LL optic)	870 (10° x 10° optic)
Lumens/Watt	110	109	87
120V Maximum Run Length	200ft	110ft	100ft
277V Maximum Run Length	450ft	250ft	225ft

C6S

SERPENTINE LED LINEAR LIGHTING, HIGH LUMEN
INTEGRAL POWER SYSTEM

ORDERING INFORMATION

5 WATT MODEL

C6	S	Optic/Lens/Diffuser	0	UNV	E	5	Color Temp	Finish	Fixture Length ¹
Series	Platform		Module Spacing	Voltage	Dimming	Watts/Foot			
C6	S Serpentine	LL Lightly frosted low profile lens ASY Half dome lens + asymmetric wall wash 60115 Half dome lens + 60° x 115° optic 1060 Half Dome lens + 10° x 60° optic 3050 Half dome lens + 30° x 50° optic 5030 Half dome lens + 50° x 30° optic	0 0"	UNV 120-277V	E ELV (Electronic Low Voltage) dim to 5%	5 5 W/ft	20 2000K (CRI 80+) 22 2200K (CRI 80+) 27 2700K (CRI 80+) 30 3000K (CRI 80+) 35 3500K (CRI 80+) 40 4000K (CRI 80+) RD Red GR Green BL Blue 27H 2700K High CRI (90+) 30H 3000K High CRI (90+) 35H 3500K High CRI (90+)	LG Light Gray BK Black WH White CC Match color chip	

9 WATT MODEL

C6	S	Optic/Lens/Diffuser	0	Voltage	Dimming	9	Color Temp	Finish	Fixture Length ¹
Series	Platform		Module Spacing			Watts/Foot			
C6	S Serpentine	LL Lightly frosted low profile lens ASY Half dome lens + asymmetric wall wash 60115 Half dome lens + 60° x 115° optic	0 0"	UNV 120-277V	E ELV (Electronic Low Voltage) dim to 5%	9 9 W/ft	20 2000K (CRI 80+) 22 2200K (CRI 80+) 27 2700K (CRI 80+) 30 3000K (CRI 80+) 35 3500K (CRI 80+) 40 4000K (CRI 80+) RD Red GR Green BL Blue 27H 2700K High CRI (90+) 30H 3000K High CRI (90+) 35H 3500K High CRI (90+)	LG Light Gray BK Black WH White CC Match color chip	
				120 120V	ET ELV and Triac Dimmers dim to zero (0%)				

10 WATT MODEL

C6	S	Optic/Lens/Diffuser	0	Voltage	Dimming	10	Color Temp	Finish	Fixture Length ¹
Series	Platform		Module Spacing			Watts/Foot			
C6	S Serpentine	1010 Half Dome lens + 10° x 10° optic 1060 Half Dome lens + 10° x 60° optic 3050 Half dome lens + 30° x 50° optic 5030 Half dome lens + 50° x 30° optic	0 0"	UNV 120-277V	E ELV (Electronic Low Voltage) dim to 5%	10 10W/ft	27 2700K (CRI 80+) 30 3000K (CRI 80+) 35 3500K (CRI 80+) 40 4000K (CRI 80+) RD Red GR Green BL Blue 27H 2700K High CRI (90+) 30H 3000K High CRI (90+) 35H 3500K High CRI (90+)	LG Light Gray BK Black WH White CC Match color chip	
				120 120V	ET ELV and Triac Dimmers dim to zero (0%)				

NOTES: (1) Fixture length measured in feet. 2 to 6 feet in length in 1 foot increments

C6S

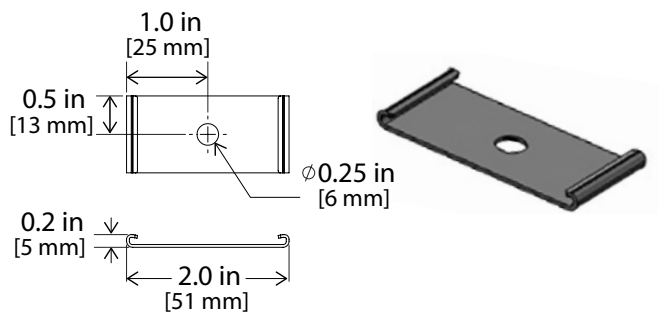
SERPENTINE LED LINEAR LIGHTING, HIGH LUMEN
INTEGRAL POWER SYSTEM

SYSTEM INTEGRATION ACCESSORIES

SURGE SUPPRESSION DEVICE <small>A Tempo furnished surge suppression device must be installed on each supplying branch circuit to comply with Tempo's 5-year warranty terms</small>		
	SSD-120	120V Branch Circuit
	SSD-277	277V Branch Circuit
POWER FEED CABLES <small>Additional lengths available, contact factory</small>		
	PFC6-F-36	Female connector, 36 inches
DIMMING INTERFACE MODULE (DIM) <small>900W max at 120V and 2000W max at 277V</small>		
	DIM-Z	Dimming Interface Module converts 0-10V dimming signals to ELV Dimming output, 120 - 277 Universal Line Voltage. DIM-Z used with the ET driver limits dimming to 1%.
JUMPER FEED CABLES <small>Additional lengths available, contact factory</small>		
	JFC6-FM-12	Female/Male connector, 12 inches
	JFC6-FM-120	Female/Male connector, 10 feet (120 inches)
MOUNTING HARDWARE		
	C6A-MC	Surface Mount Clips, no finish (set of 12)

MOUNTING HARDWARE

SURFACE MOUNT CLIP (C6A-MC)

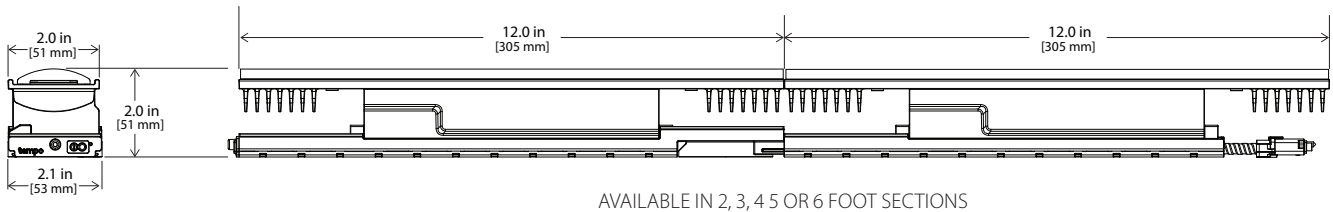


C6S

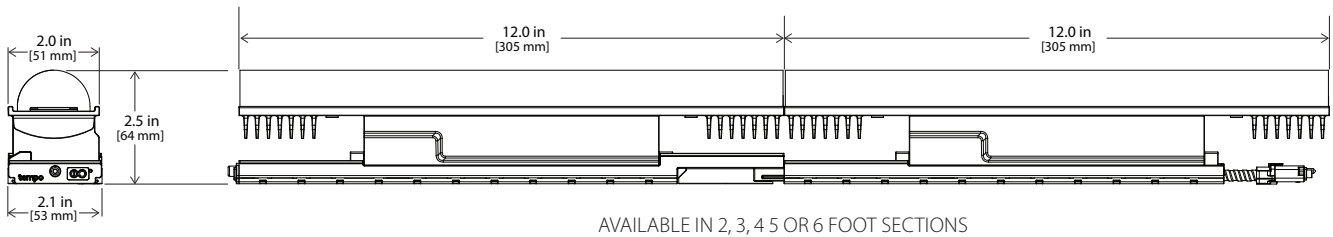
SERPENTINE LED LINEAR LIGHTING, HIGH LUMEN
INTEGRAL POWER SYSTEM

DIMENSIONAL INFORMATION

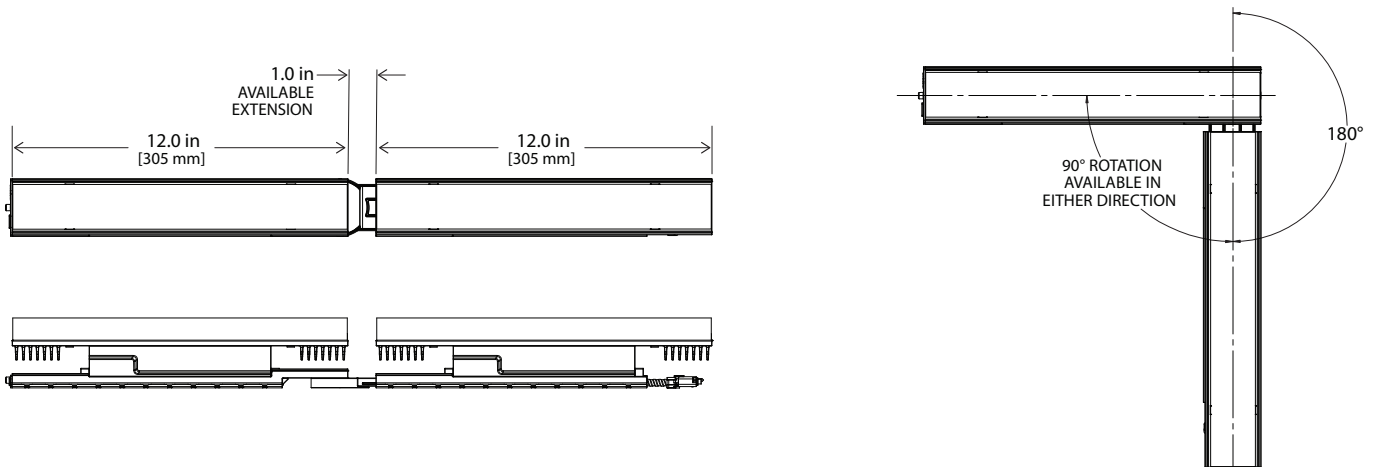
2FT SECTION - LIGHTLY FROSTED LOW PROFILE LENS, 120° X 120° (5W & 9W ONLY)



2FT SECTION - HALF DOME LENS WITH ASY, 60X115, 10X10, 10X60, 30X50, 50X30 OPTICS



EXTENSION AND ROTATION DETAIL



Tempo products and technologies are protected under one or more US and International patents.

Tempo reserves the right to change materials or modify the design of its product without notification as part of the company's continuing product improvement program. Please consult www.tempollc.com for the most up-to-date specifications and technical data.