

## C3R DMX Tunable White & Warm Dim

REMOTE 24V DMX POWER SYSTEM

NICOLAUDIE DMX CONTROLLER



### APPLICATION

DMX Tunable White and Warm Dim three channel technology produces uniform illumination designed to accent and highlight spaces such as small coves, under cabinets or millwork. Tempo supplied DMX driver with Nicolaudie DMX intelligent control keypad provides easy color tuning and dimming. Designed with modular CLiP<sup>®</sup> (Configurable Lighting Platform), C3R provides options to suit multiple application requirements. Meets MRI room requirements with non-ferrous components and mounting brackets.

### CONSTRUCTION

- 12" long low profile modules in 1', 2', 3', 4', 5' or 6' fixture lengths
- Join sections and create continuous runs up to 16' from one power supply
- Easily replaceable LED printed circuit boards
- Proprietary quick wire connection device provides ease of installation
- Power feeds and jumper cables are available
- CSA damp location listed for indoor use

### OPTICS / LENS / DIFFUSER

- Low profile convex lens, 5% white.
- Half round dome lens, 5% white. Recommended for applications requiring fully diffused light with a "glow" effect or where lens will be visible.

### PERFORMANCE

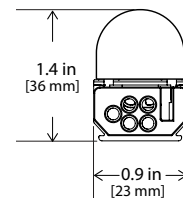
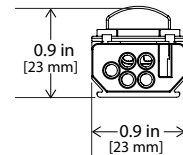
- 157 lm/ft delivered at 2000K, 222 lm/ft at 3000K and 234 lm/ft at 4000K based on 2.0 Watts/ft/channel
- Standard CRI of 80+
- All LED's are selected and placed on the printed circuit boards via Tempo Industries' UniBin<sup>™</sup> process which ensures consistent hue and color within the entire run. Color variations are held to within a maximum of a 2-step MacAdam ellipse.
- Operating temperature range of -20°C to 50°C
- Power Supply Total Harmonic Distortion <20%, Power Factor >0.9

### DMX TUNABLE WHITE & WARM DIM

- Three Channel Tunable White & Warm Dim  
2000K/3000K/4000K Tunable White  
2000K/2500K/2700K Warm Dim
- Nicolaudie DMX lighting controller utilizing DMX512 (x2) output protocol. Easily view the zone, scene name and design. Change color and dimmer using touch sensitive circular palette.
- Universal input 120V-277V remote Class II 24V output power supply. 100w output. 3 channel DMX/RDM compatible. (PWR-UNV-EM-100-N)
- Sleek black glass design sits 11mm from the wall
- Multi-room control with 500 scenes, 10 zones
- 1024 DMX channels
- USB & Ethernet connectivity for programming and controlling lighting remotely
- Clock & Calendar with Sunrise/Sunset triggering
- Mounts in single or double gang wall box

### PERFORMANCE SUMMARY

<b>Total Watts/Foot</b>	<b>6.0</b>
Watts/ft. (2000K)	2.0W
Lumens/ft. (2000K)	157
Lumens/Watt (2000K)	78
Watts/ft. (3000K)	2.0W
Lumens/ft. (3000K)	222
Lumens/Watt (3000K)	111
Watts/ft. (4000K)	2.0W
Lumens/ft. (4000K)	234
Lumens/Watt (4000K)	117
<b>TOTAL LUMENS/FT.</b>	<b>613</b>
<b>Maximum Run Length</b>	<b>16 feet</b>



### WARRANTY

Tempo provides a 5-year limited warranty.

**86,000 HOURS**

**L85 LUMEN MAINTENANCE**

LED Luminaires will reach 85% of initial lumen output at or beyond 86,000 hours at 25°C.



## C3R DMX Tunable White & Warm Dim

REMOTE 24V DMX POWER SYSTEM

NICOLAUDIE DMX CONTROLLER

### ORDERING INFORMATION

C3	R		0	6		LG	
Series	Platform	Optic/Lens/Diffuser	Module Spacing	Watts/Foot	Color Temp - 3 Channel DMX	Finish	Fixture Length
C3	R Rigid	<b>WL</b> Low Profile Convex, 5% White <b>HD</b> Half Round Dome Lens, 5% White	0 0"	6 6W/ft	<b>3TW15</b> Tunable White 2000K/3000K/4000K, 80+ CRI  <b>3WD15</b> Warm Dim 2000K/2500K/2700K, 80+ CRI	LG Light Gray	

### SYSTEM INTEGRATION ACCESSORIES

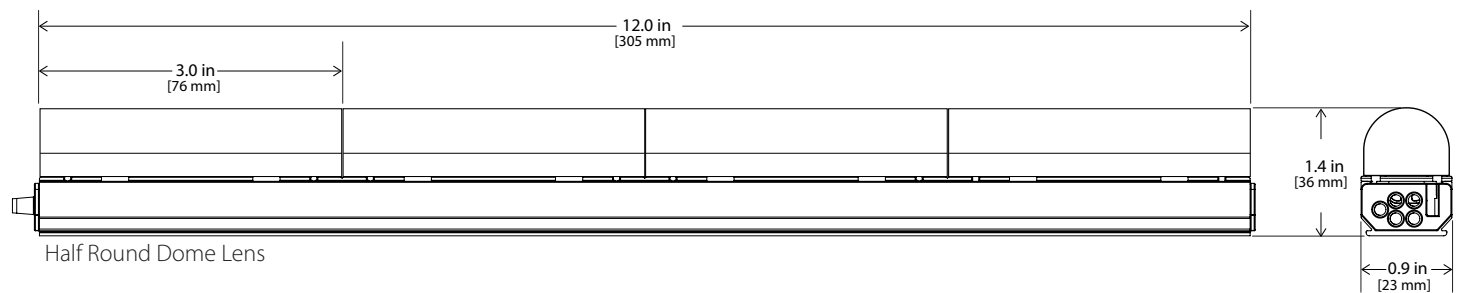
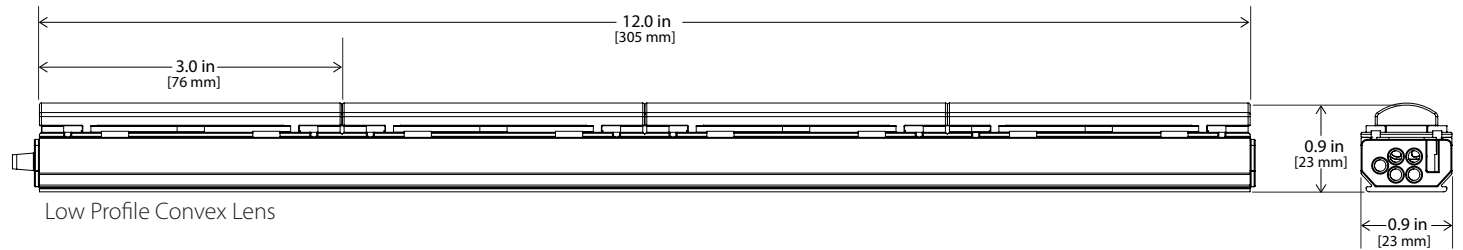
24V DMX POWER SUPPLIES/CONTROLLER	
<b>PWR-UNV-EM-100-N</b>	120-277V AC Input, 24V DC Output, 100W, DMX/RDM
<b>PCC-DMX-N1</b>	Nicolaudie (Stick DE3+) DMX Controller, DMX512 (x2), wall mount in single or double gang box
SURGE SUPPRESSION DEVICE <small>A Tempo furnished surge suppression device must be installed on each supplying branch circuit to comply with Tempo's 5-year warranty terms</small>	
<b>SSD-120</b>	120V Branch Circuit
<b>SSD-277</b>	277V Branch Circuit
POWER FEED CABLES <small>Additional lengths available, contact factory</small>	
<b>PFC4-F-24-36</b>	5-Pin Female Connector, 24V, 36 inches
JUMPER FEED CABLES <small>Additional lengths available, contact factory</small>	
<b>JFC4-MF-24-18</b>	5-Pin Female/Male, 24V, 18 inches
MOUNTING HARDWARE <small>18" maximum recommended spacing between mounting clips</small>	
<b>C3A-MTGBRKT-SURF</b>	Set of 25 Mounting clips (screws included)
<b>C3A-MTGBRKT-SURF-20</b>	Set of 25, 20° Mounting clips (screws included)
<b>C3A-MNTSCREW-BRS</b>	Non Ferrous Brass mounting screw only for C3R mounting clip. (Meets MRI room requirements)

## C3R DMX Tunable White & Warm Dim

REMOTE 24V DMX POWER SYSTEM

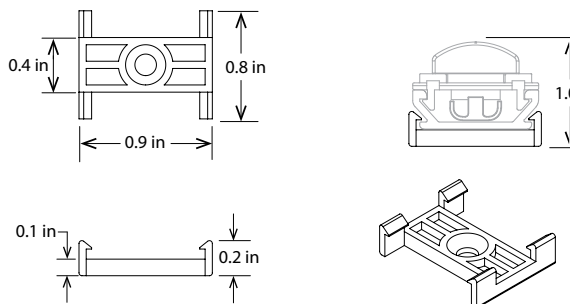
NICOLAUDIE DMX CONTROLLER

### DIMENSIONAL INFORMATION Total Fixture Lengths of 1', 2', 3', 4', 5' or 6' available

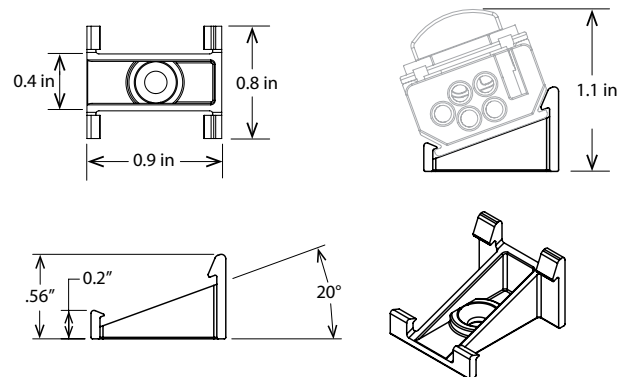


### MOUNTING CLIP (Mounting screw provided)

#### C3A-MTGBRKT-SURF



#### C3A-MTGBRKT-SURF-20



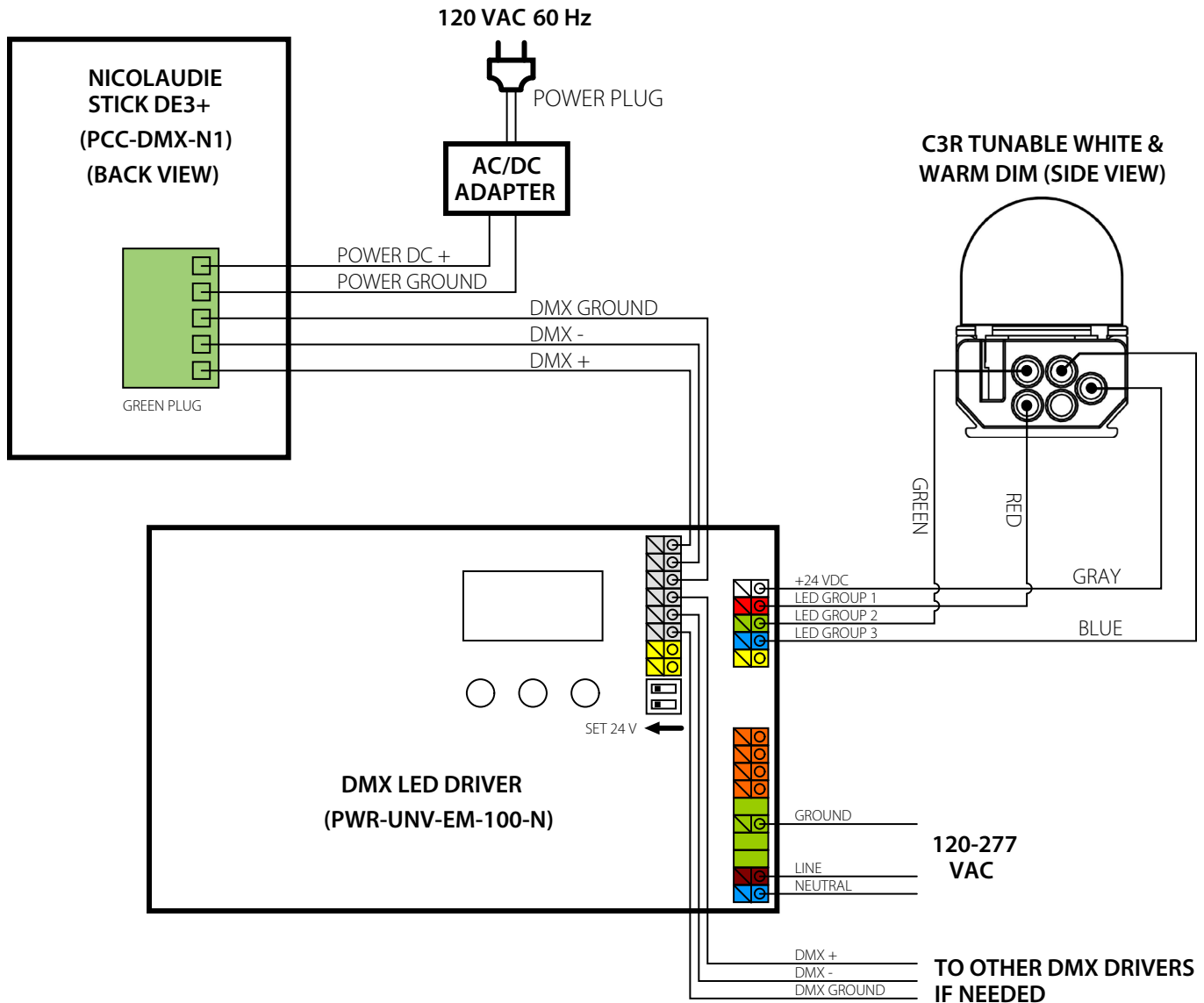
18" maximum recommended spacing between mounting clips.

# C3R DMX Tunable White & Warm Dim

REMOTE 24V DMX POWER SYSTEM

NICOLAUDIE DMX CONTROLLER

## WIRING DIAGRAMS



Tempo Industries reserves the right to change materials or modify the design of its product without notification as part of the company's continuing product improvement program. Please consult [www.tempoindustries.com](http://www.tempoindustries.com) for the most up-to-date specifications and technical data.