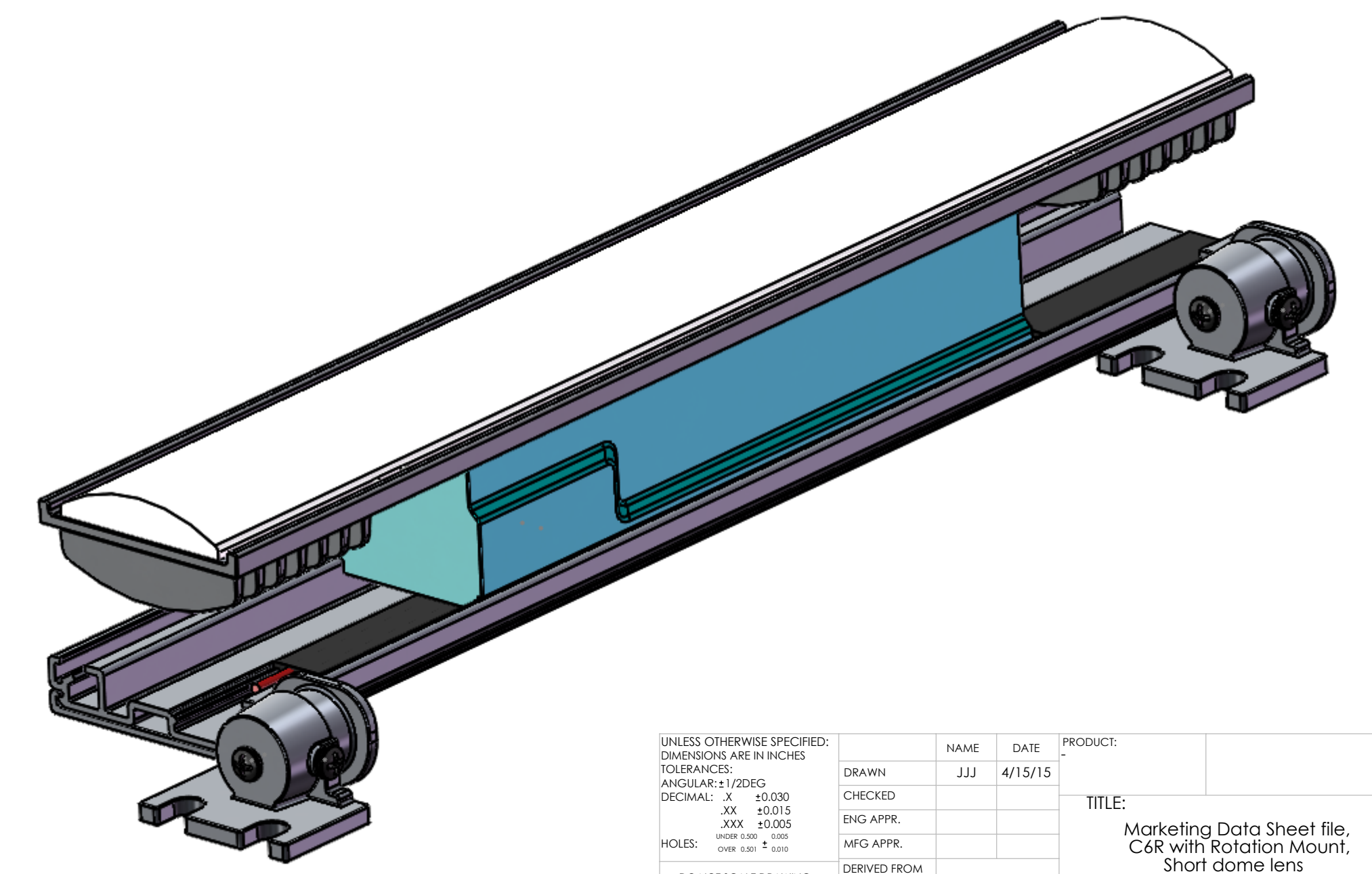
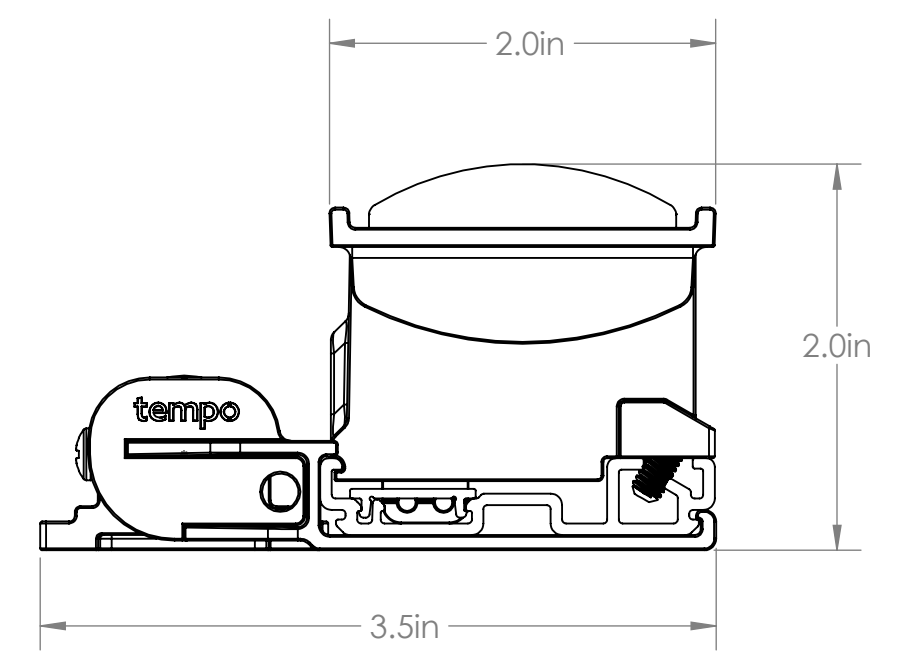
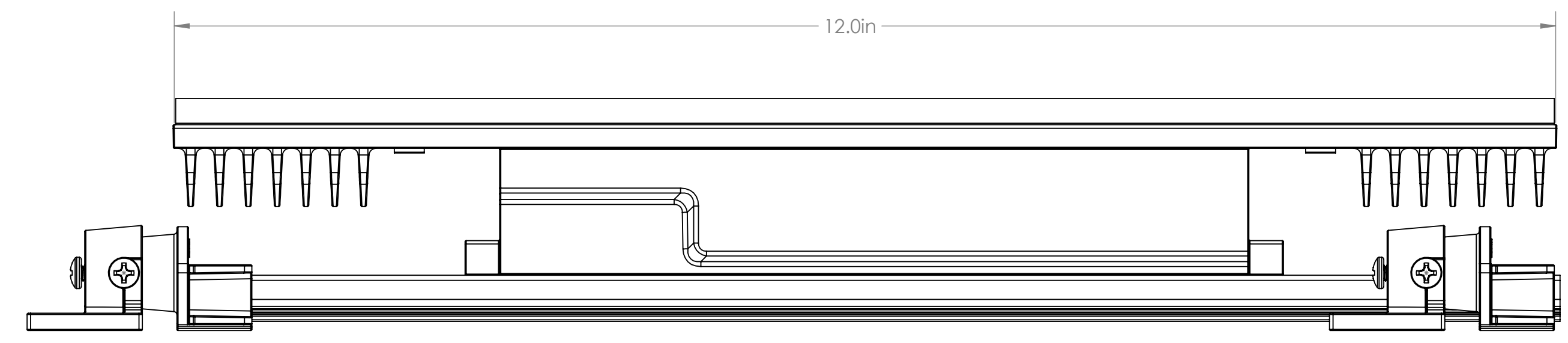
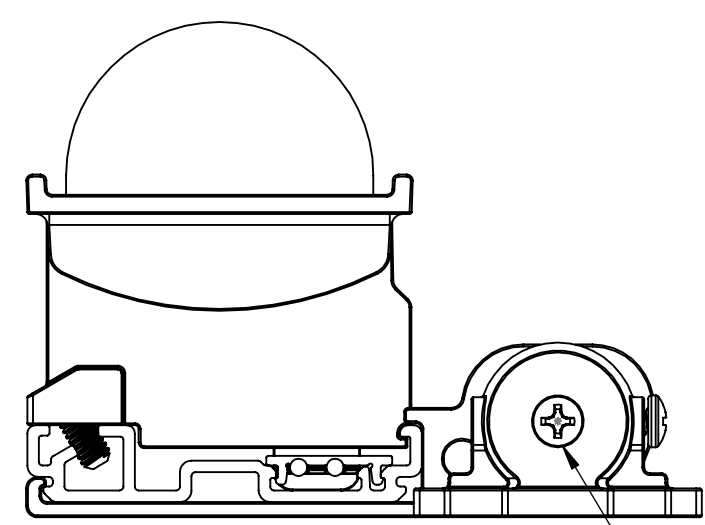


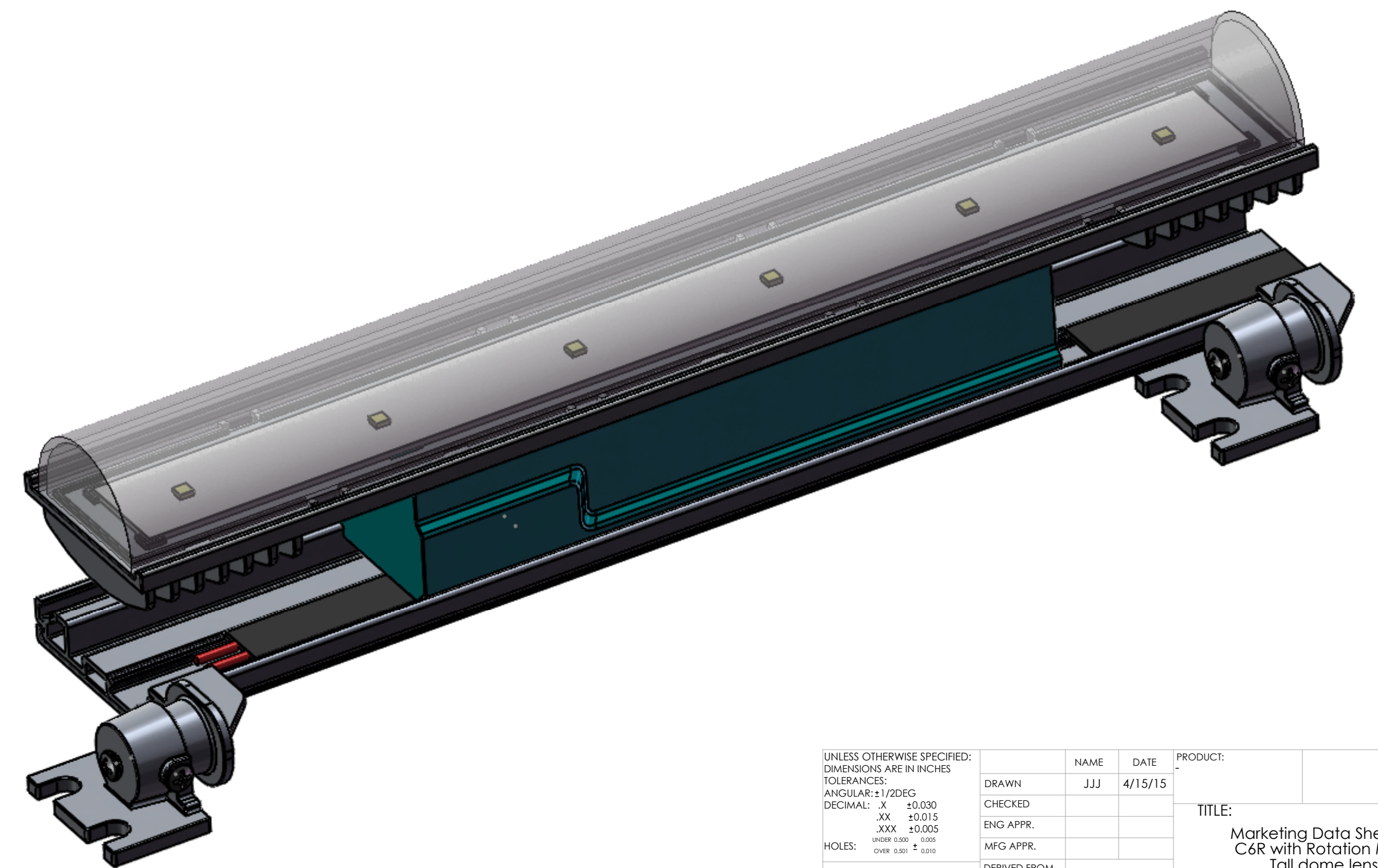
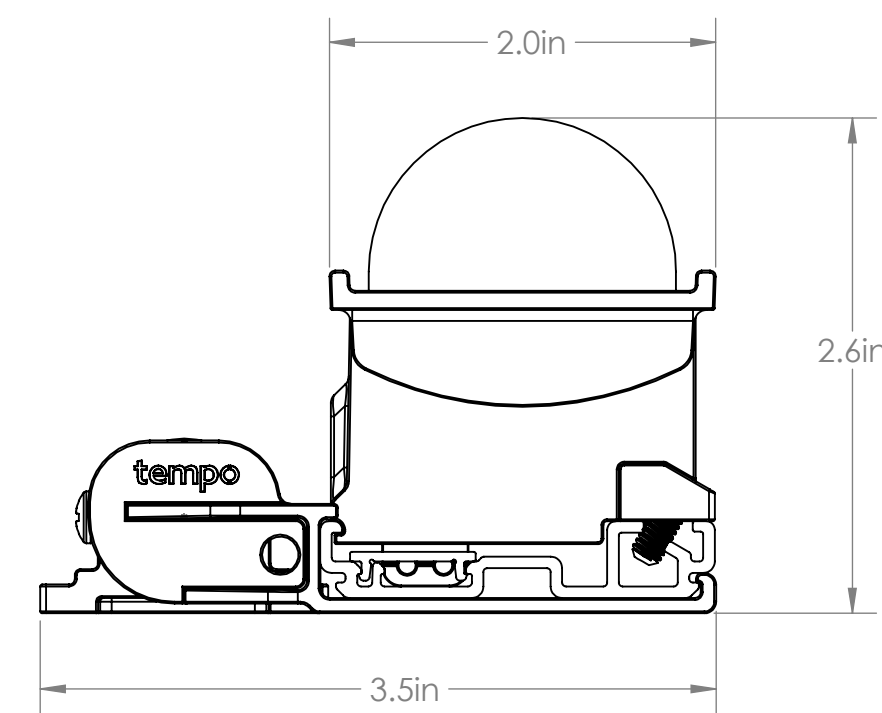
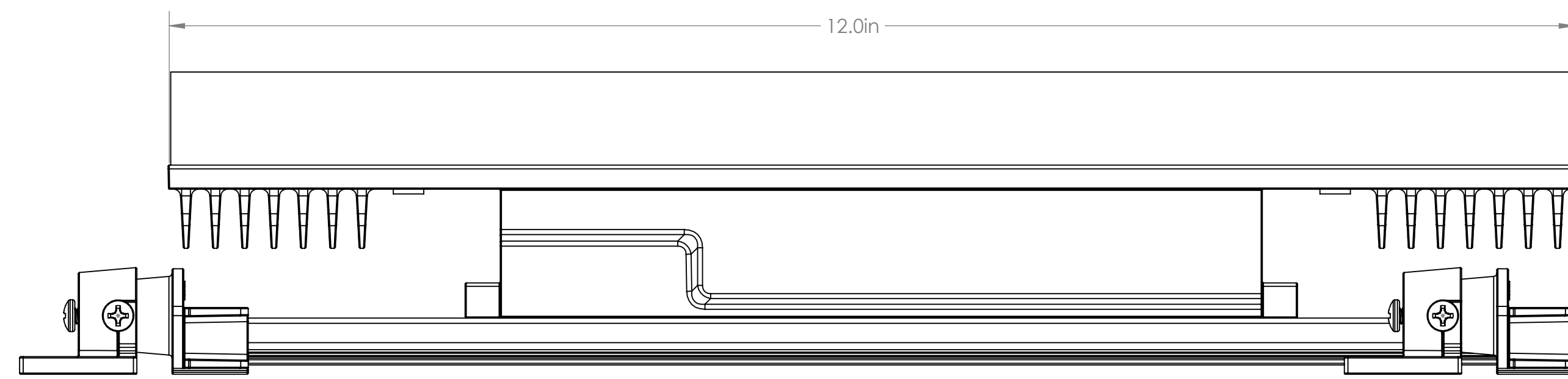
Adjustable  
Angle Bracket  
w/Position  
Locking Screw



UNLESS OTHERWISE SPECIFIED: DIMENSIONS ARE IN INCHES TOLERANCES		NAME	DATE	PRODUCT
ANGULAR: ±1/2DEG		JJJ	4/15/15	
DECIMAL: .XX ±0.030				
XXX ±0.015				
XXXX ±0.005				
HOLES: DIA ±0.010				
DO NOT SCALE DRAWING				
MATERIAL				
As Noted				
FINISH				
As Noted				
DRAWN				TITLE:
CHECKED				Marketing Data Sheet file, C6R with Rotation Mount, Short dome lens
ENG APPR.				SIZE
MFG APPR.				D PART. NO.
DERIVED FROM				REV
COMMENTS:				-
SCALE: 1:1		WEIGHT:	SHEET 1 OF 1	



Adjustable  
Angle Bracket  
w/Position  
Locking Screw



UNLESS OTHERWISE SPECIFIED: DIMENSIONS ARE IN INCHES TOLERANCES ANGULAR: ±1/2DEG DECIMAL: X ±0.030 XX ±0.015 XXX ±0.005 HOLES: HOLE SIZE ±0.010		NAME JJJ	DATE 4/15/15	PRODUCT
DO NOT SCALE DRAWING	MATERIAL As Noted	FINISH As Noted	DERIVED FROM	COMMENTS
TITLE: Marketing Data Sheet file, C6R with Rotation Mount, Tall dome lens				
SIZE <b>D</b>	PART. NO.	REV -	SCALE: 1:1	WEIGHT:
		SHEET 1 OF 1		