

Sentinel™ Seat Light I



INSTALLATION INSTRUCTIONS

Ratings, Hardware and Warning.....	Page 1
Installation Instructions.....	Page 2-3

ELECTRICAL RATINGS

Seat Light 1 is a low voltage system, operating at 12V AC.

HARDWARE PROVIDED (BY OTHERS)

- 1) 7/16" drill bit
- 2) Phillips Bit
- 3) Hand Drill
- 4) Phillips Screw Driver

WARNING: Read and understand these instructions before installing.



This product must be installed in accordance with the applicable installation code by a person familiar with the construction and operation of the product and the hazards involved.

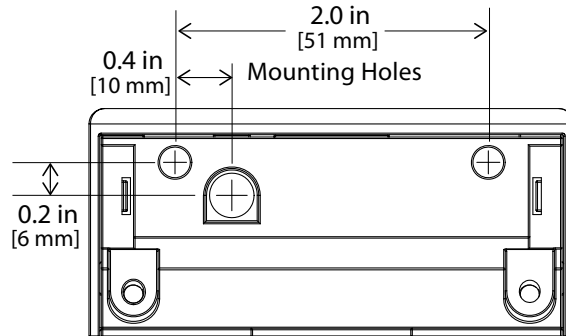
Turn off main power supply before you start installing Seat Light 1.

Sentinel™ Seat Light I

INSTALLATION

STEP 1

After locating desired mounting height for SL1 (Typical: 18" from floor), mark the two mounting holes and conduit feed hole, using adjacent dimensions as reference. (Ensure mounting plate is level prior to marking.)



STEP 2

Using a 7/16" drill bit, drill conduit hole and feed conduit through, as shown in **Figure 1 & 2**.



Figure 1



Figure 2

STEP 3

Once attached conduit is fed through hole, mount fixture base using the 2 metal self-tapping or wood screws provided, as shown in **Figure 3**.



Figure 3

Sentinel™ Seat Light I

INSTALLATION (continued)

STEP 4

Attach cover to base and tighten screws, as shown in **Figure 4**.



Figure 4

STEP 5

Run wiring down seat and into j-box as shown in **Figure 5**.

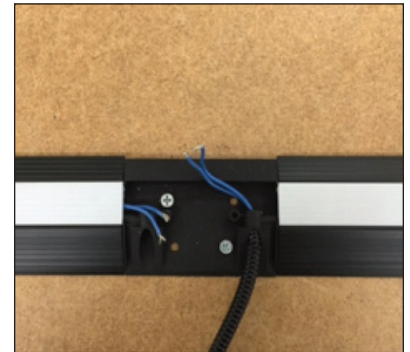


Figure 5

(Also shown, Raceway Junction Box)

STEP 6

Connect wires by way of wire nuts, as shown in **Figure 6**, or use butt connectors, solder, or any means compliant with local code.



Figure 6

(Also shown, Raceway Junction Box and Raceway)

STEP 7

Attach J-Box cover as shown in **Figure 7**.



Figure 7

(Also shown, Raceway Junction Box and Raceway)