

## HLS House Lighting System (metric)

SURFACE MOUNT, 2-CIRCUIT  
REMOTE POWER SUPPLY



### APPLICATION

The House Lighting System (HLS) is designed to illuminate spaces requiring several lighting scenarios, such as theater or auditorium venues. Based on the Tempo CLiP<sup>®</sup> (Configurable Lighting Platform), luminaires may be configured with multiple 300mm lighting modules, each with different light distributions and/or intensity. Modules may be controlled with separate circuits and dimming controls to further tailor scenes. A typical cinema application would include luminaires configured with High Lumen modules for theater cleaning and High Uniformity dimming modules for house lighting, trailer and movie screening.

The HLS is available in two different platforms, one designed for continuous surface or suspension mounting and the other for recessed mounting in a T-Bar ceiling grid (see separate spec sheet). HLS Surface Mount is available in 2 circuit configurations for small to medium auditoriums and 4 circuit for large auditoriums (see separate spec sheet). The low voltage, remotely powered system centralizes control and servicing.

### CONSTRUCTION

- Extruded aluminum channel
- Thermally optimized die-cast aluminum light module housings
- Plug and play connectors for simplified installation
- CSA damp location listed

### OPTICS / LENS / DIFFUSER

- High Lumen Cleaning Light modules (C) consist of a 300mm module. A lightly frosted dome lens, coupled with wide beam optics direct a LED array.
- High Uniformity House Light modules (H) consist of a 300mm module with a dome lens and high diffusion film over a high density array of LEDs.

### POWER SYSTEM

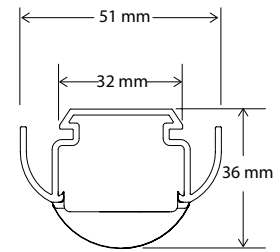
- Utilizes remote, low voltage DC power supply - 220V, 230V, 240V
- When a combination of High Lumen Cleaning Light and high Uniformity House Light modules are specified, the standard wiring configuration is dual circuit, with all High Lumen (C) modules on one circuit and High Uniformity (H) on the second circuit.

### PERFORMANCE

- Light output varies by configuration, see performance summary
- Lumen maintenance is greater than 85% at 86,000 hours for all product configurations (L85 at 86,000 hours)

### LIGHT CHARACTERISTICS

- Available in 2200K, 2700K, 3000K, 3500K, 4000K correlated color temperature. A different color temperature may be selected for High Lumen Cleaning Light modules (C) and High Uniformity House Light modules (H).
- Typical CRI of 80+
- LED's are selected and placed on the printed circuit boards via Tempo Industries' UniBin<sup>®</sup> process which ensures consistent hue and color within the entire installation. Color variations are held to a minimum, within a 2-step MacAdam ellipse.



### WARRANTY

Tempo provides a 5-year limited warranty. A 10-year limited warranty will apply when installed by a Tempo Certified Installer.



### PERFORMANCE SUMMARY All data nominal

| Module Configuration |                                                                                                                                  | Watts/Module | Delivered Lumens |
|----------------------|----------------------------------------------------------------------------------------------------------------------------------|--------------|------------------|
| <b>C1</b>            | Cleaning Light Circuit<br><b>Cleaning Light</b> , 300mm module, wide beam optics, LED array (3500K test data shown)              | 12 W         | 1200 lm          |
| <b>H1</b>            | 12" House Light Circuit<br><b>House Light</b> , 300mm module, high uniformity dome lens, dense LED array (2700K test data shown) | 10 W         | 850 lm           |

## HLS House Lighting System (metric)

SURFACE MOUNT, 2-CIRCUIT  
REMOTE POWER SUPPLY

### ORDERING INFORMATION

Example: HLS-S-1800-C135-H130-C135-BK

| HLS                                | S                     | 1800           | LIGHT MODULE CONFIGURATION*   |                                                          |                               |                                                          |                               |                                                          | Finish               |
|------------------------------------|-----------------------|----------------|-------------------------------|----------------------------------------------------------|-------------------------------|----------------------------------------------------------|-------------------------------|----------------------------------------------------------|----------------------|
| Series                             | Mounting              | Fixture Length | Module #1                     | Color Temp                                               | Module #2                     | Color Temp                                               | Module #3                     | Color Temp                                               | Finish               |
| House Lighting System<br>2 Circuit | S Surface Mount T-Bar | 1800 1800 mm   | C1 Cleaning Light (Circuit 1) | 22 2200K<br>27 2700K<br>30 3000K<br>35 3500K<br>40 4000K | C1 Cleaning Light (Circuit 1) | 22 2200K<br>27 2700K<br>30 3000K<br>35 3500K<br>40 4000K | C1 Cleaning Light (Circuit 1) | 22 2200K<br>27 2700K<br>30 3000K<br>35 3500K<br>40 4000K | WH White<br>BK Black |
|                                    |                       |                | For No Module, Leave Blank    |                                                          | For No Module, Leave Blank    |                                                          | For No Module, Leave Blank    |                                                          |                      |

\* C1 = Cleaning Light Circuit - High Lumen 300mm Module, Wide Beam, Standard LED Array  
H1 = House Light Circuit - High Uniformity 300mm Module, Dense LED Array

### SAMPLE CONFIGURATIONS



#### HLS-S-1800-C135-H130-C135-BK

HLS 2 -Circuit Surface Mount 1800mm, C135 Cleaning Light, 300mm module, 3500K; H130 House Light, 300mm module, 3000K; C135 Cleaning Light, 300mm module, 3500K, Black



#### HLS-S-1800-C135-C135-BK

HLS 2 -Circuit Surface Mount 1800mm, C135 Cleaning Light, 300mm module, 3500K; C135 Cleaning Light, 300mm module, 3500K, Black

## HLS House Lighting System (metric)

SURFACE MOUNT, 2-CIRCUIT  
REMOTE POWER SUPPLY

### SYSTEM INTEGRATION ACCESSORIES

| POWER ENCLOSURE Power Supplies (maximum of 5) in 1200mmx100mmx100mm Enclosure                                                             |                                   |                                                                                                                                                                                                                                                                             |
|-------------------------------------------------------------------------------------------------------------------------------------------|-----------------------------------|-----------------------------------------------------------------------------------------------------------------------------------------------------------------------------------------------------------------------------------------------------------------------------|
|                                                                                                                                           | <b>PWR-ENC - 24/X - 36T/Y -48</b> | X = Quantity of 100W (24V, 120V input) Non-Dimming Power Supplies for Cleaning Light modules (A&C)<br>Y = Quantity of 40W (36V, 120V input) Triac Dimming Power Supplies for House Light modules (B&D)<br>Lutron Hi-lume 1% 2-wire LED driver (120V forward phase) - LTEA2W |
|                                                                                                                                           | <b>PWR-TDIM-100-24</b>            | Tri-Dim Triac dimming adapter, 120V input, 100W 24VDC driver output                                                                                                                                                                                                         |
|                                                                                                                                           | <b>PWR-TDIM-200-24</b>            | Tri-Dim Triac dimming adapter, 120V input, 2 x 100W 24VDC driver outputs                                                                                                                                                                                                    |
|                                                                                                                                           | <b>PWR-TDIM-100-36</b>            | Tri-Dim Triac dimming adapter, 120V input, 100W 36VDC driver output                                                                                                                                                                                                         |
|                                                                                                                                           | <b>PWR-TDIM-200-36</b>            | Tri-Dim Triac dimming adapter, 120V input, 2 x 100W 36VDC driver outputs                                                                                                                                                                                                    |
| WIREWAY                                                                                                                                   |                                   |                                                                                                                                                                                                                                                                             |
|                                                                                                                                           | <b>HLS2-S-6-WIREWAY-BK</b>        | HLS Surface Wireway, 2-Circuit, pre-wired, includes plug and play connectors, 6ft.                                                                                                                                                                                          |
| MOUNTING HARDWARE                                                                                                                         |                                   |                                                                                                                                                                                                                                                                             |
|                                                                                                                                           | <b>HLS4-S-SPLICEBOX-M</b>         | HLS Surface Splice Box, 4-Circuit <sup>1</sup> , pre-wired with quick connect connectors, male end feed                                                                                                                                                                     |
|                                                                                                                                           | <b>HLS4-S-SPLICEBOX-F</b>         | HLS Surface Splice Box, 4-Circuit <sup>1</sup> , pre-wired with quick connect connectors, female end feed                                                                                                                                                                   |
|                                                                                                                                           | <b>HLS4-S-PB-BK</b>               | HLS Surface Power Box, 4-Circuit <sup>2</sup> , pre-wired with plug and play connector, includes cover plate, black                                                                                                                                                         |
|                                                                                                                                           | <b>HLS-S-JBOX</b>                 | HLS Surface J-Box for mounting on continuous T-grid spine.<br>Standard 2-gang j-box (by others) may be used when the power box is located within a tile                                                                                                                     |
|                                                                                                                                           | <b>HLS-S-MTGCLIP</b>              | HLS Surface Mount T-Bar Clips (QTY 12). Minimum of 2 clips every 6ft section (luminaire or wireway).                                                                                                                                                                        |
|                                                                                                                                           | <b>HLS-S-MTGCLIP-EDGE</b>         | HLS Surface Mount T-Bar Edge Clips (QTY 12).                                                                                                                                                                                                                                |
|                                                                                                                                           | <b>HLS-S-MTGCLIP-SEISMIC</b>      | HLS Surface Mount T-Bar Clips (QTY 12) with Seismic Bracing Hanger.                                                                                                                                                                                                         |
| POWER FEED CABLE                                                                                                                          |                                   |                                                                                                                                                                                                                                                                             |
|                                                                                                                                           | <b>WIR-16-2BLU/2RED-PR</b>        | Plenum rated cable, 16 gauge, 4 wires – 2 Blue / 2 Red, 91m per reel                                                                                                                                                                                                        |
| SURGE SUPPRESSION DEVICE Tempo furnished surge suppression device must be installed on each branch circuit to comply with warranty terms. |                                   |                                                                                                                                                                                                                                                                             |
|                                                                                                                                           | <b>SSD-120</b>                    | 120V Branch Circuit                                                                                                                                                                                                                                                         |
|                                                                                                                                           | <b>SSD-277</b>                    | 277V Branch Circuit                                                                                                                                                                                                                                                         |
| POWER INVERTERS Tempo's power inverters supply battery power backup to designated emergency lighting power supplies.                      |                                   |                                                                                                                                                                                                                                                                             |
|                                                                                                                                           | <b>PWR-INV-110-120</b>            | Power Inverter, 110W, 120V Input/Output                                                                                                                                                                                                                                     |
|                                                                                                                                           | <b>PWR-INV-225-120</b>            | Power Inverter, 225W, 120V Input/Output                                                                                                                                                                                                                                     |
|                                                                                                                                           | <b>PWR-INV-350-120/277</b>        | Power Inverter, 350W, UNV Input/120V or 277V Output                                                                                                                                                                                                                         |

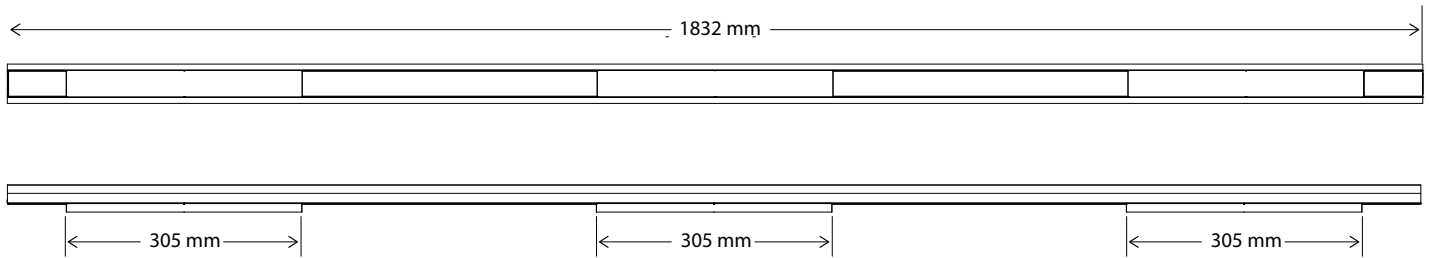
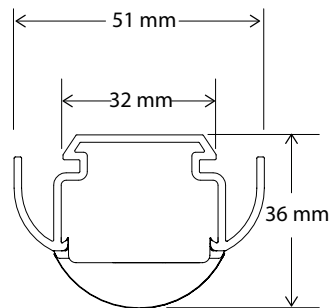
#### NOTES:

- 1) The Splice Boxes (HLS4-S-SPLICEBOX-M and HLS4-S-SPLICEBOX-F) are pre-wired for 4-circuit. For 2-circuit fixtures, make the 2 connections accordingly and leave the 2 remaining connectors as dead ends.
- 2) The Power Box (HLS4-S-PB-BK) is pre-wired for 4-circuit. For 2-circuit fixtures, make the 2 connections accordingly and leave the 2 remaining connectors as dead ends.

# HLS House Lighting System (metric)

SURFACE MOUNT, 2-CIRCUIT  
REMOTE POWER SUPPLY

## DIMENSIONAL INFORMATION - SURFACE MOUNTED



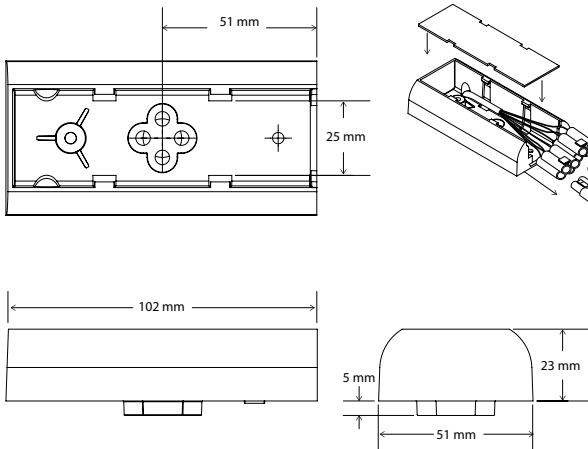
## HLS House Lighting System (metric)

SURFACE MOUNT, 2-CIRCUIT  
REMOTE POWER SUPPLY

### DIMENSIONAL INFORMATION - MOUNTING HARDWARE

#### SPLICE BOX SYSTEM

##### HLS4-S-SPLICEBOX-M/F

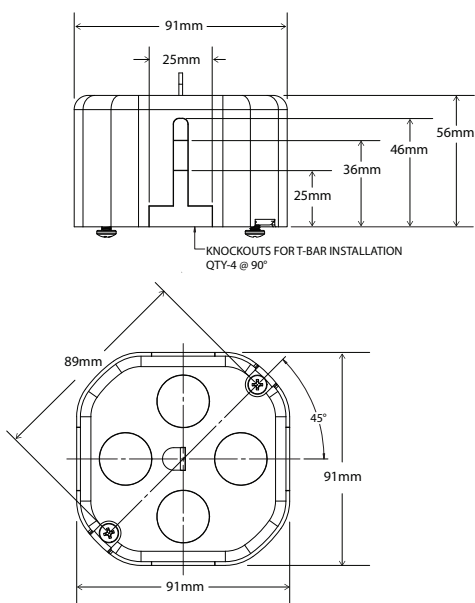


Splice Box “book ends” the HLS fixture with the power feed connections made with quick connect fittings.

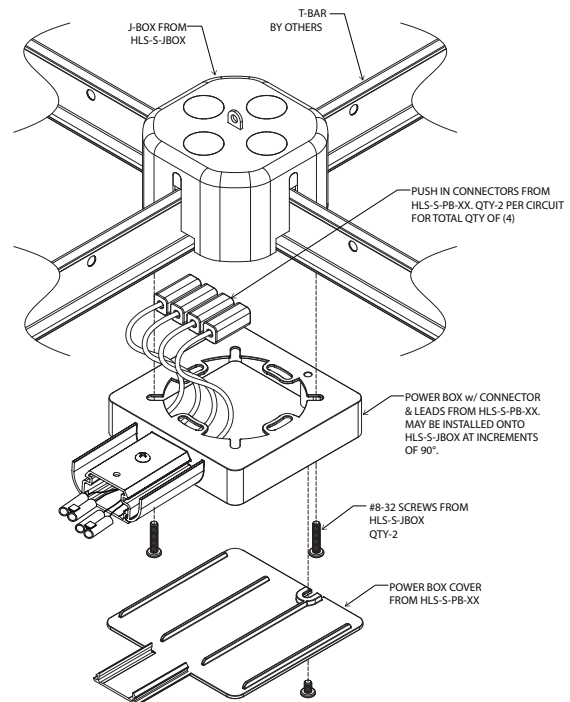
The Splice Box is pre-wired for 4-circuit. For 2-circuit fixtures, make the 2 connections accordingly and leave the 2 remaining connectors as dead ends.

#### J-BOX SYSTEM

##### HLS-S-JBOX



##### HLS4-S-PB & HLS-S-JBOX ASSEMBLY

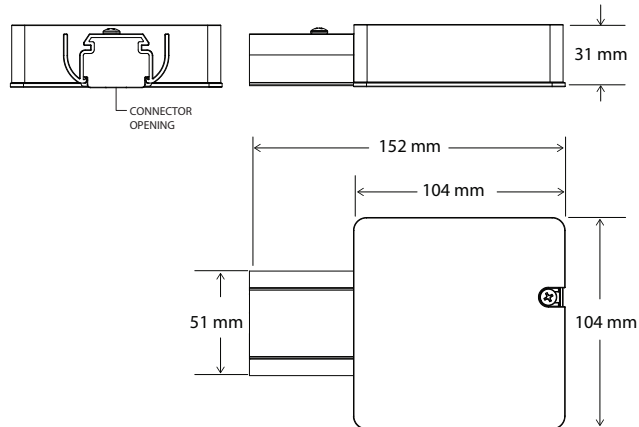


## HLS House Lighting System (metric)

SURFACE MOUNT, 2-CIRCUIT  
REMOTE POWER SUPPLY

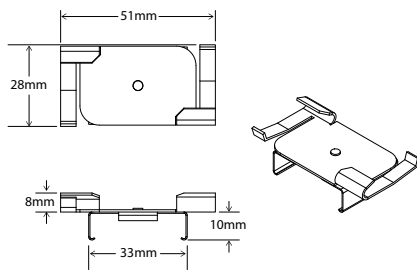
### MOUNTING HARDWARE

#### HLS4-S-PB

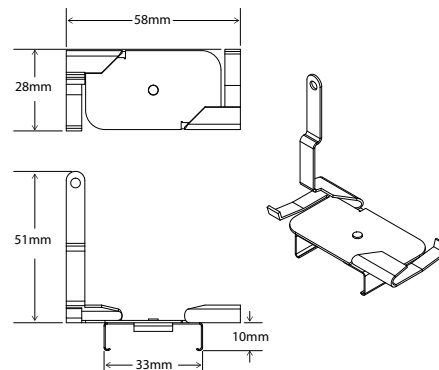


### MOUNTING HARDWARE

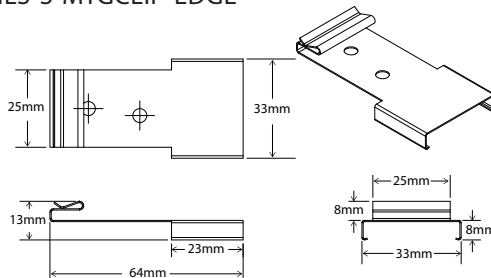
#### HLS-S-MTGCLIP



#### HLS-S-MTGCLIP-SEISMIC



#### HLS-S-MTGCLIP-EDGE



Tempo products and technologies are protected under one or more US and International patents.

Tempo reserves the right to change materials or modify the design of its product without notification as part of the company's continuing product improvement program. Please consult [www.tempollc.com](http://www.tempollc.com) for the most up-to-date specifications and technical data.