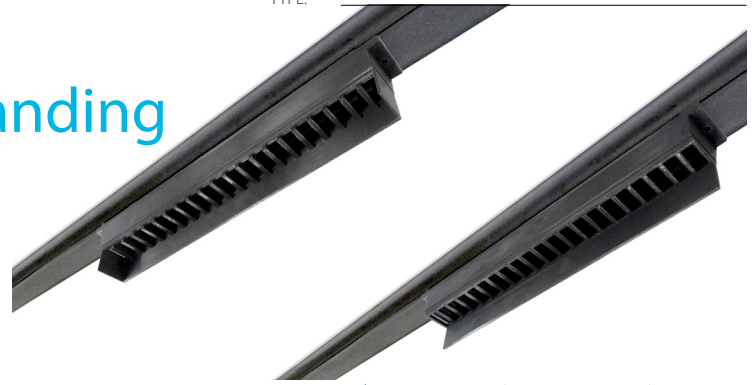


## HLS Cross-Aisle, Stairs & Landing

SURFACE MOUNT, 2-CIRCUIT  
REMOTE POWER SUPPLY



### APPLICATION

This revolutionary lighting system reduces or removes safety lighting products and wiring from the heavily trafficked floor environment. An extension of the multi functional House Lighting System (HLS) that delivers a targeted, narrow beam of illumination designed for cross aisles, stairs, walkways and landings. Precision optics paired with collimating slot micro-baffles and/or shields create a confined pathway of light with no visible source reference.

The Cross-Aisle/Stair option (Attribute A) utilizes a 4ft wide beam spread that can be installed in succession to provide continuous, even light along cross-aisles or stairs. The Landing option (Attribute B) utilizes a 3ft x 5ft or 3ft x 3ft beam pattern that provides a targeted block of illumination for landings.

Surface mounted with exclusive T-Bar ceiling mount clips allows for straight or curved illumination patterns. Tempo will assist in selecting the ideal optical configuration for your application based on layout and ceiling height.

### CONSTRUCTION

- Extruded aluminum channel
- Thermally optimized die-cast aluminum heat sink
- Plug and play connectors for simplified installation
- CSA damp location listed

### OPTICS / LENS / DIFFUSER

- Precision optics paired with a collimating slot and micro-baffles configured for the mounting height
- Side shield provides complete light block designed for auditorium applications

### POWER SYSTEM

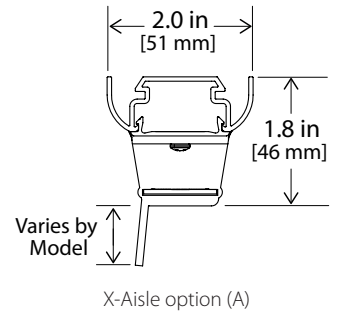
- Utilizes a remote, low voltage DC power supply (24V, 120V input)
- Triac dimming (100-1%)

### PERFORMANCE

- Light output varies by configuration

### LIGHT CHARACTERISTICS

- Available in 2200K, 2700K, 3000K, 3500K, 4000K correlated color temperature. Static colors (i.e. Red & Blue) also available, consult factory for additional color options.
- Typical CRI of 80+
- Color variations confined to a 2-step MacAdam ellipse



### WARRANTY

Tempo provides a 5-year limited warranty. A 10-year warranty will apply when installed by a Tempo Certified Installer.



### PERFORMANCE SUMMARY

Attribute	Type	Application	Watts/Module
<b>A</b>	<b>E</b>	Cross Aisle/Stairs with nominal 4ft beam width at 10ft to 45ft height	~12 W
<b>B</b>	<b>F</b>	Landing with 3ft x 5ft beam pattern at 10ft to 35ft height	~12 W
<b>B</b>	<b>G</b>	Landing with 3ft x 3ft beam pattern at 25ft to 35ft height	~12 W

# HLS Cross-Aisle, Stairs & Landing Lighting

SURFACE MOUNT, 2-CIRCUIT

REMOTE POWER SUPPLY

## ORDERING INFORMATION

Example: **HLS-S-A-6-E30RD-BK**

HLS, Surface Mount Cross Aisle, 6ft, 12" Module for 30ft Ceiling, 4ft Beam Width, Red LED, Black finish

<b>HLS</b>	<b>S</b>		<b>6</b>			<b>BK</b>	
<b>PLATFORM</b>				<b>LIGHT MODULE CONFIGURATION</b>			
Series	Mounting	Attribute	Fixture Length	Application		Light Color	Finish
<b>HLS</b>	<b>S</b> Surface Mount T-Bar	<b>A</b> Cross-Aisle/Stairs  4ft wide beam pattern  (Except where noted)	<b>6</b> 6ft	<b>E10</b> Cross-Aisle/Stairs Light, 10ft mounting height, nominal 4ft beam width <b>E15</b> Cross-Aisle/Stairs Light, 15ft mounting height, nominal 4ft beam width <b>E20</b> Cross-Aisle/Stairs Light, 20ft mounting height, nominal 4ft beam width <b>E25</b> Cross-Aisle/Stairs Light, 25ft mounting height, nominal 4ft beam width <b>E30</b> Cross-Aisle/Stairs Light, 30ft mounting height, nominal 4ft beam width <b>E35</b> Cross-Aisle/Stairs Light, 35ft mounting height, nominal 4ft beam width <b>E40</b> Cross-Aisle/Stairs Light, 40ft mounting height, nominal 4ft beam width <b>E45</b> Cross-Aisle/Stairs Light, 45ft mounting height, nominal 4ft beam width  <b>E2530</b> Cross-Aisle/Stairs Light, 25ft mounting height, 30" beam width <b>E3030</b> Cross-Aisle/Stairs Light, 30ft mounting height, 30" beam width <b>E3530</b> Cross-Aisle/Stairs Light, 35ft mounting height, 30" beam width	<b>22</b> 2200K <b>27</b> 2700K <b>30</b> 3000K <b>35</b> 3500K <b>40</b> 4000K <b>RD</b> Red <b>BL</b> Blue	<b>BK</b> Black	
		<b>B</b> Landing  3ft x 5ft beam pattern or 3ft x 3ft beam pattern	<b>6</b> 6ft	<b>F10</b> Landing Light, 10ft mounting height, nominal 3ft x 5ft pattern <b>F15</b> Landing Light, 15ft mounting height, nominal 3ft x 5ft pattern <b>F20</b> Landing Light, 20ft mounting height, nominal 3ft x 5ft pattern <b>F25</b> Landing Light, 25ft mounting height, nominal 3ft x 5ft pattern <b>F30</b> Landing Light, 30ft mounting height, nominal 3ft x 5ft pattern <b>F35</b> Landing Light, 35ft mounting height, nominal 3ft x 5ft pattern  <b>G25</b> Landing Light, 25ft mounting height, nominal 3ft x 3ft pattern <b>G30</b> Landing Light, 30ft mounting height, nominal 3ft x 3ft pattern <b>G35</b> Landing Light, 35ft mounting height, nominal 3ft x 3ft pattern			

# HLS Cross-Aisle, Stairs & Landing Lighting

SURFACE MOUNT, 2-CIRCUIT

REMOTE POWER SUPPLY

## SYSTEM INTEGRATION ACCESSORIES

POWER ENCLOSURE Power Supplies (maximum of 5) in 48"x4"x4" Enclosure		
	<b>PWR-ENC-24/X-48</b>	X = Quantity of 40W (24V, 120V input) Triac Dimming Power Supplies for Aisle Light modules (E) Lutron Hi-lume 1% 2-wire LED driver (120V forward phase) - LTEA2W
MOUNTING HARDWARE		
	<b>HLS2-S-SLICEBOX-M</b>	HLS Surface Splice Box, 2-Circuit, pre-wired with quick connect connectors, male end feed
	<b>HLS2-S-SLICEBOX-F</b>	HLS Surface Splice Box, 2-Circuit, pre-wired with quick connect connectors, female end feed
	<b>HLS-S-MTGCLIP</b>	HLS Surface Mount T-Bar Clips (QTY 12). 2 clips required on every 6ft section (luminaire or wireway).
	<b>HLS-S-MTGCLIP-SEISMIC</b>	HLS Surface Mount T-Bar Clips (QTY 12) with Seismic Bracing Hanger.
	<b>HLS-S-MTGADJ</b>	HLS Surface fine tuning adjustment kit.
	<b>HLS-S-PB-BK</b>	HLS Surface Power Box, 2-Circuit, pre-wired plug and play connector, includes cover plate, black finish
	<b>HLS-S-JBOX</b>	HLS Surface J-Box for mounting on continuous t-grid spine Standard 2-gang j-box (by others) may be used when the power box is located within a tile
JUMPER FEED CABLE		
	<b>HLS-S-JFC2-FM24-12</b>	Jumper feed cable, female and male connector, 12 inches
	<b>HLS-S-JFC2-FM24-24</b>	Jumper feed cable, female and male connector, 24 inches
	<b>HLS-S-JFC2-FM24-36</b>	Jumper feed cable, female and male connector, 36 inches
POWER FEED CABLE		
	<b>WIR-16-2BLU/2RED-PR</b>	Plenum rated cable, 16 gauge, 4 wires– 2 Blue / 2 Red, 300ft per reel
	<b>HLS-S-PFC4-F24-180</b>	Power Feed Cable with connector for HLS-S Surface 2-Circuit, 15ft
	<b>HLS-S-PFC4-F24-360</b>	Power Feed Cable with connector for HLS-S Surface 2-Circuit, 30ft
SURGE SUPPRESSION DEVICE A Tempo furnished surge suppression device must be installed on each supplying branch circuit to comply with Tempo's warranty terms		
	<b>SSD-120</b>	120V Branch Circuit
POWER INVERTERS Tempo's power inverters supply battery power backup to designated emergency lighting power supplies.		
	<b>PWR-INV-125-120</b>	Power Inverter, 125W, 120V Input/Output
	<b>PWR-INV-250-120</b>	Power Inverter, 250W, 120V Input/Output
	<b>PWR-INV-375-120277</b>	Power Inverter, 375W, 120V/120V or 277V/277V Input/Output

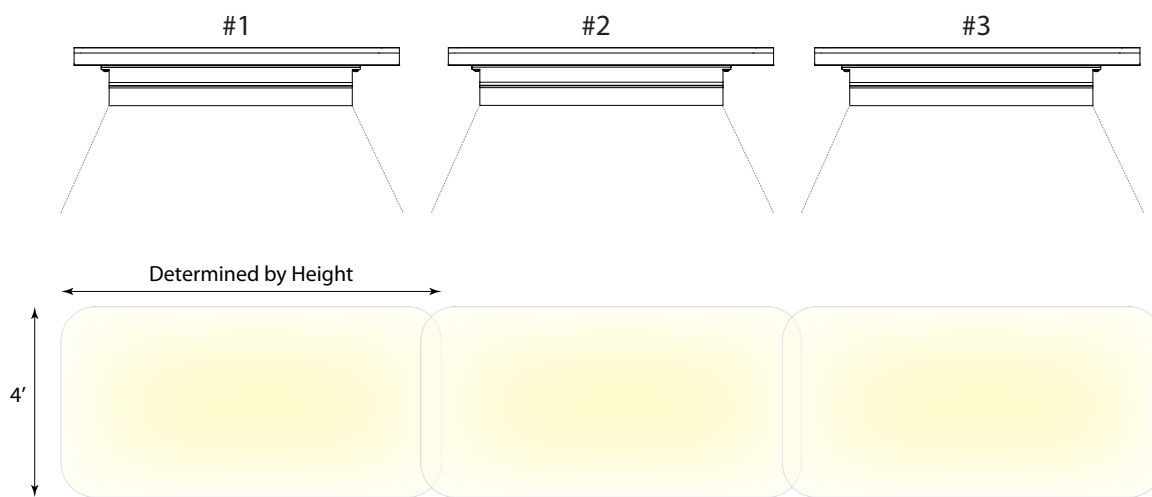
# HLS Cross-Aisle, Stairs & Landing Lighting

SURFACE MOUNT, 2-CIRCUIT

REMOTE POWER SUPPLY

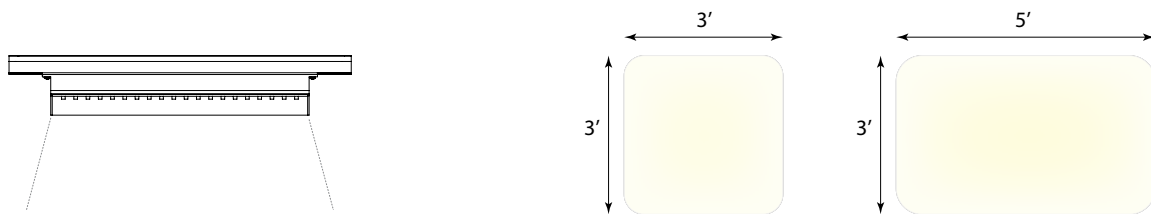
## SAMPLE CONFIGURATIONS

CROSS-AISLE/STAIRS BEAM SPREAD (Attribute A) shown with three modules



Beam Spread on Cross Aisle Floor  
(Consult factory for exact dimensions based on height & layout)

LANDING BEAM SPREAD (Attribute B)



Beam Pattern on Landing: 3' x 3' or 3' x 5'

# HLS Cross-Aisle, Stairs & Landing Lighting

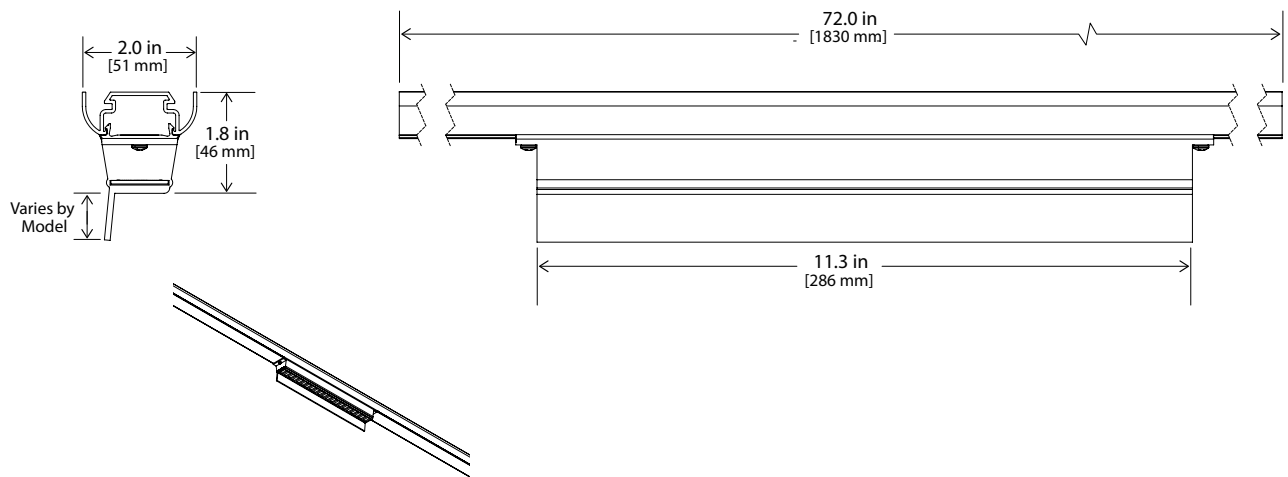
SURFACE MOUNT, 2-CIRCUIT

REMOTE POWER SUPPLY

## DIMENSIONAL INFORMATION

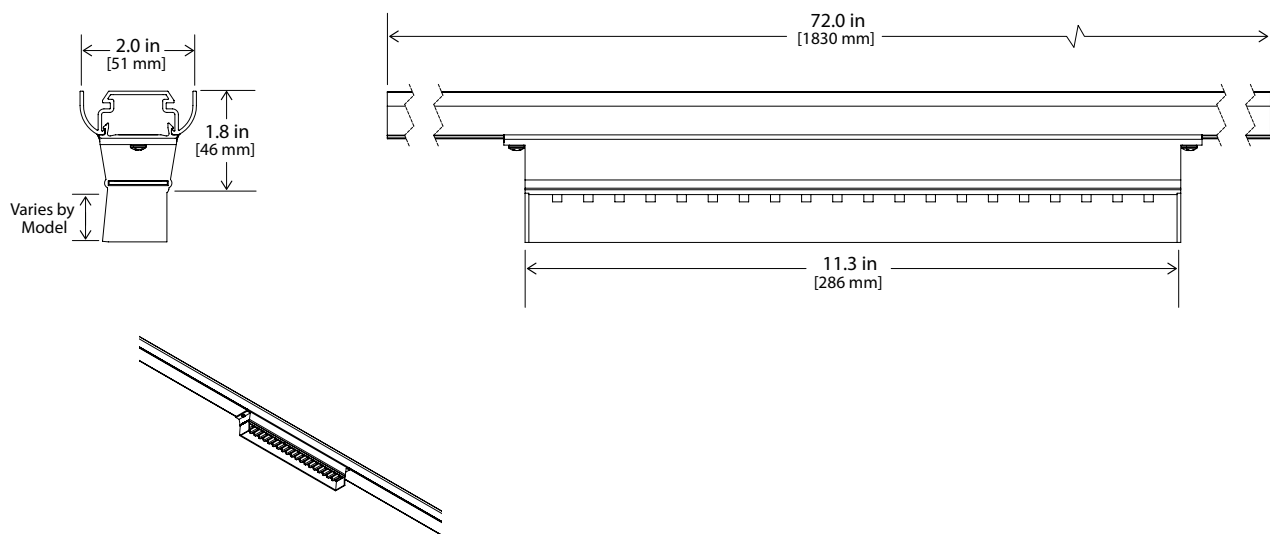
### CROSS-AISLE/STAIRS LIGHTING SYSTEM (A)

Includes Side Shielding



### LANDING LIGHTING SYSTEM (B)

Includes Side Shield & End Shielding



## HLS Cross-Aisle, Stairs & Landing Lighting

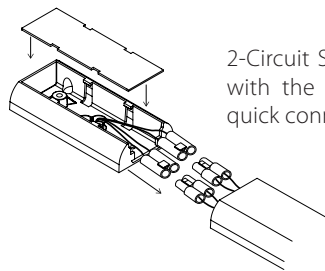
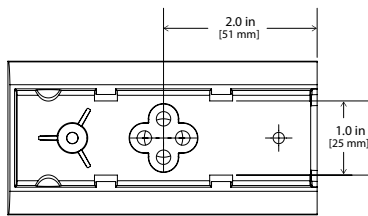
SURFACE MOUNT, 2-CIRCUIT

REMOTE POWER SUPPLY

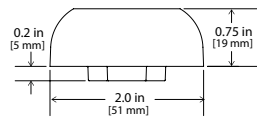
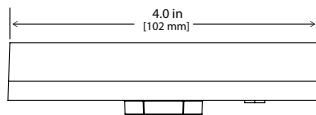
### DIMENSIONAL INFORMATION - MOUNTING HARDWARE

#### 2-CIRCUIT SPLICE BOX SYSTEM

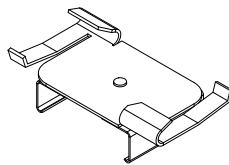
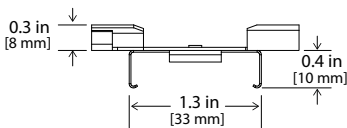
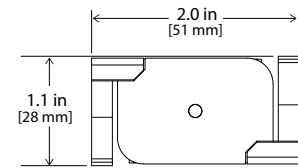
##### HLS-S-SLICEBOX-M/F



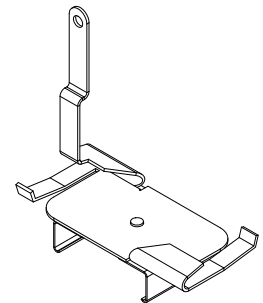
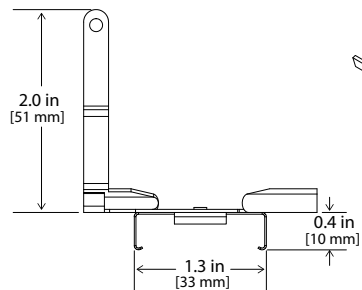
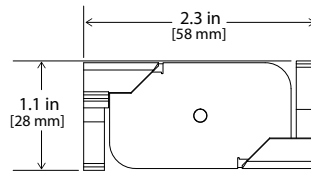
2-Circuit Splice Box "book ends" the HLS fixture with the power feed connections made with quick connect fittings.



##### HLS-S-MTGCLIP



##### HLS-S-MTGCLIP-SEISMIC



Tempo products and technologies are protected under one or more US and International patents.

Tempo reserves the right to change materials or modify the design of its product without notification as part of the company's continuing product improvement program. Please consult [www.tempollc.com](http://www.tempollc.com) for the most up-to-date specifications and technical data.