

C3R 0-10V Tunable White & Warm Dim

REMOTE 24V POWER SYSTEM

0-10V CONTROL MODULES & DIMMER



APPLICATION

0-10V Two Channel Tunable White or Warm Dim options produces uniform illumination designed to accent and highlight spaces such as small coves, under cabinets or millwork. Tempo 24V remote power supply, control modules and 0-10V wall mount dimmers available. Designed with modular CLiP[®] (Configurable Lighting Platform), C3R provides options to suit multiple application requirements. Meets MRI room requirements with non-ferrous components and mounting brackets.

CONSTRUCTION

- 12" long low profile modules in 1', 2', 3', 4', 5' or 6' fixture lengths
- Join sections and create continuous runs up to 16' from one power supply
- Easily replaceable LED printed circuit boards
- Proprietary quick wire connection device provides ease of installation
- Power feeds and jumper cables are available
- CSA damp location listed for indoor use

OPTICS / LENS / DIFFUSER

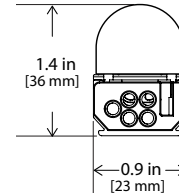
- Half round dome lens, 5% white. Fully diffused lens cleanly mixes the two channel LED Kelvin temperatures.

PERFORMANCE

- 157 lm/ft delivered at 2000K, 222 lm/ft at 3000K and 234 lm/ft at 4000K based on 2.0 Watts/ft/channel
- Standard CRI of 80+ and High CRI 90+ option. (See ordering information for High CRI options).
- All LED's are selected and placed on the printed circuit boards via Tempo Industries' UniBin™ process which ensures consistent hue and color within the entire run. Color variations are held to within a maximum of a 2-step MacAdam ellipse.
- Operating temperature range of -20°C to 50°C
- Power Supply Total Harmonic Distortion <20%, Power Factor >0.9

0-10V TUNABLE WHITE & WARM DIM

- Tunable White & Warm Dim modules accept 0-10V signal enabling smooth, dynamic, flicker free operation. 100w max per module.
- One Input, Two Channel Warm Dim only option on one 0-10V dimmer that dims intensity and warms the color temperature at same time. 2000K/2700K warm white
- Two Input, Two Channel Tunable White/Warm Dim requires two 0-10V dimmers to control light intensity and color separately. 3000K/4000K Tunable White 2000K/2700K Warm Dim
- Tempo supplied Lutron wall dimmer takes the guesswork out of selecting the right 0-10V dimmer.
- Universal input 120V-277V remote Class II 24V output power supplies in 60w or 100w outputs.
- Compatible with Lutron GRAFIK Eye[®] controllers (supplied by other)



WARRANTY

Tempo provides a 5-year limited warranty.

86,000 HOURS

L85 LUMEN MAINTENANCE
LED Luminaires will reach 85% of initial lumen output at or beyond 86,000 hours at 25°C.



PERFORMANCE SUMMARY

Total Watts/Foot	4.0
Watts/ft. (2000K)	2.0W
Lumens/ft. (2000K)	157
Lumens/Watt (2000K)	78
Watts/ft. (3000K)	2.0W
Lumens/ft. (3000K)	222
Lumens/Watt (3000K)	111
Watts/ft. (4000K)	2.0W
Lumens/ft. (4000K)	234
Lumens/Watt (4000K)	117
Maximum Run Length	24 feet

C3R 0-10V Tunable White & Warm Dim

REMOTE 24V POWER SYSTEM

0-10V CONTROL MODULES & DIMMER

ORDERING INFORMATION

C3	R	HD	0	4		LG	
Series	Platform	Optic/Lens/Diffuser	Module Spacing	Watts/Foot	Color Temp - 2 Channel 0-10V	Finish	Fixture Length
C3	R Rigid	HD Half Round Dome Lens, 5% White	0 0"	4 4W/ft	2TW1S Tunable White 3000K/4000K, 80+ CRI 2TW1H Tunable White 3000K/4000K, 90+ CRI 2WD1S Warm Dim 2000K/2700K, 80+ CRI	LG Light Gray	

SYSTEM INTEGRATION ACCESSORIES

24V 0-10V POWER SUPPLIES	
PWR-UNV-EM-060	120-277V AC Input, 24V DC Output, 60W, Non-Dimming (Dim to Warm module controls dimming)
PWR-UNV-EM-100	120-277V AC Input, 24V DC Output, 100W, Non-Dimming (Dim to Warm module controls dimming)
PCM-010-TW	0-10V Control Module, 2 input Tunable White/Warm Dim, 8V-48V input, 100w Max, 2 channel (requires 2 dimmers)
PCM-010-WD	0-10V Control Module, 1 input Warm Dim only, 8V-48V input, 100w Max, 2 channel (works on 1 dimmer)
PDS-010-WM-WH	0-10V Wall Mount Dimmer Switch, White, Lutron Diva

SURGE SUPPRESSION DEVICE A Tempo furnished surge suppression device must be installed on each supplying branch circuit to comply with Tempo's 5-year warranty terms	
SSD-120	120V Branch Circuit
SSD-277	277V Branch Circuit

POWER FEED CABLES Additional lengths available, contact factory	
PFC4-F-24-36	5-Pin Female Connector, 24V, 36 inches

JUMPER FEED CABLES Additional lengths available, contact factory	
JFC4-MF-24-18	5-Pin Female/Male, 24V, 18 inches

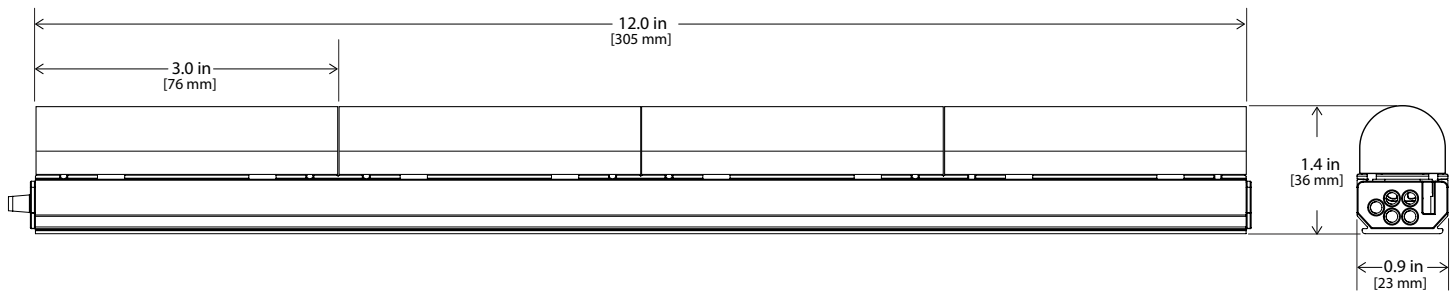
MOUNTING HARDWARE 18" maximum recommended spacing between mounting clips	
C3A-MTGBRKT-SURF	Set of 25 Mounting clips (screws included)
C3A-MTGBRKT-SURF-20	Set of 25, 20° Mounting clips (screws included)
C3A-MNTSCREW-BRS	Non Ferrous Brass mounting screw only for C3R mounting clip. (Meets MRI room requirements)

C3R 0-10V Tunable White & Warm Dim

REMOTE 24V POWER SYSTEM

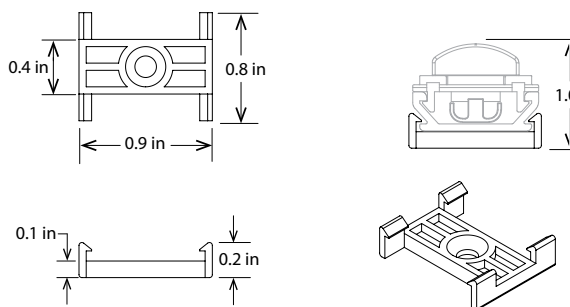
0-10V CONTROL MODULES & DIMMER

DIMENSIONAL INFORMATION Total Fixture Lengths of 1', 2', 3', 4', 5' or 6' available

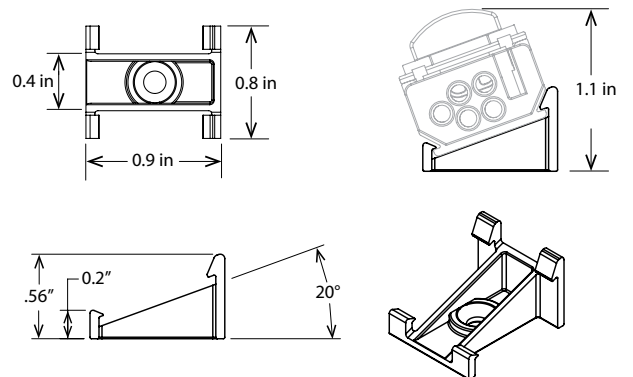


MOUNTING CLIP (Mounting screw provided)

C3A-MTGBRKT-SURF



C3A-MTGBRKT-SURF-20



18" maximum recommended spacing between mounting clips.

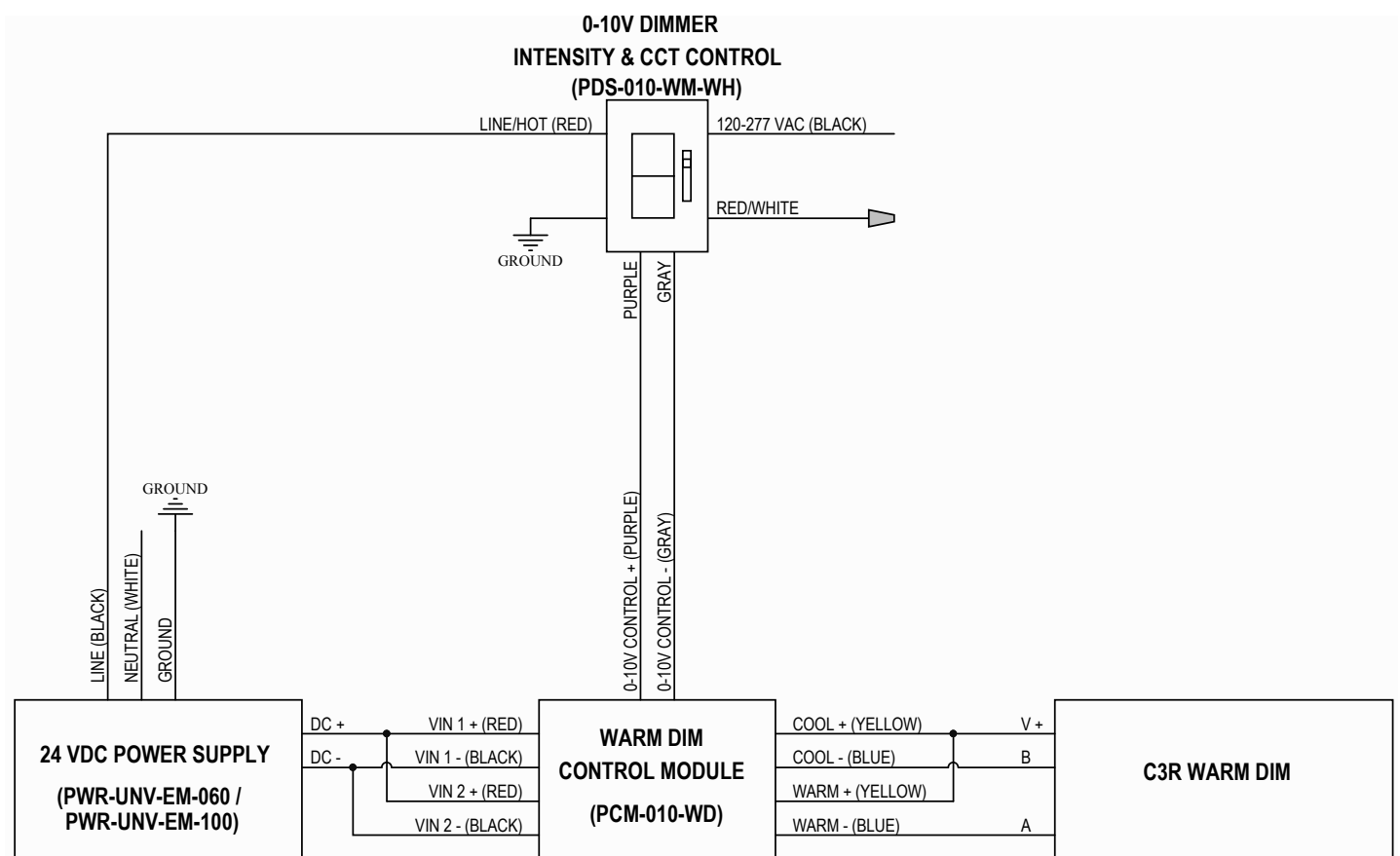
C3R 0-10V Tunable White & Warm Dim

REMOTE 24V POWER SYSTEM

0-10V CONTROL MODULES & DIMMER

WIRING DIAGRAM

0-10V WARM DIM (ONE DIMMER)



Tempo Industries reserves the right to change materials or modify the design of its product without notification as part of the company's continuing product improvement program. Please consult www.tempoindustries.com for the most up-to-date specifications and technical data.

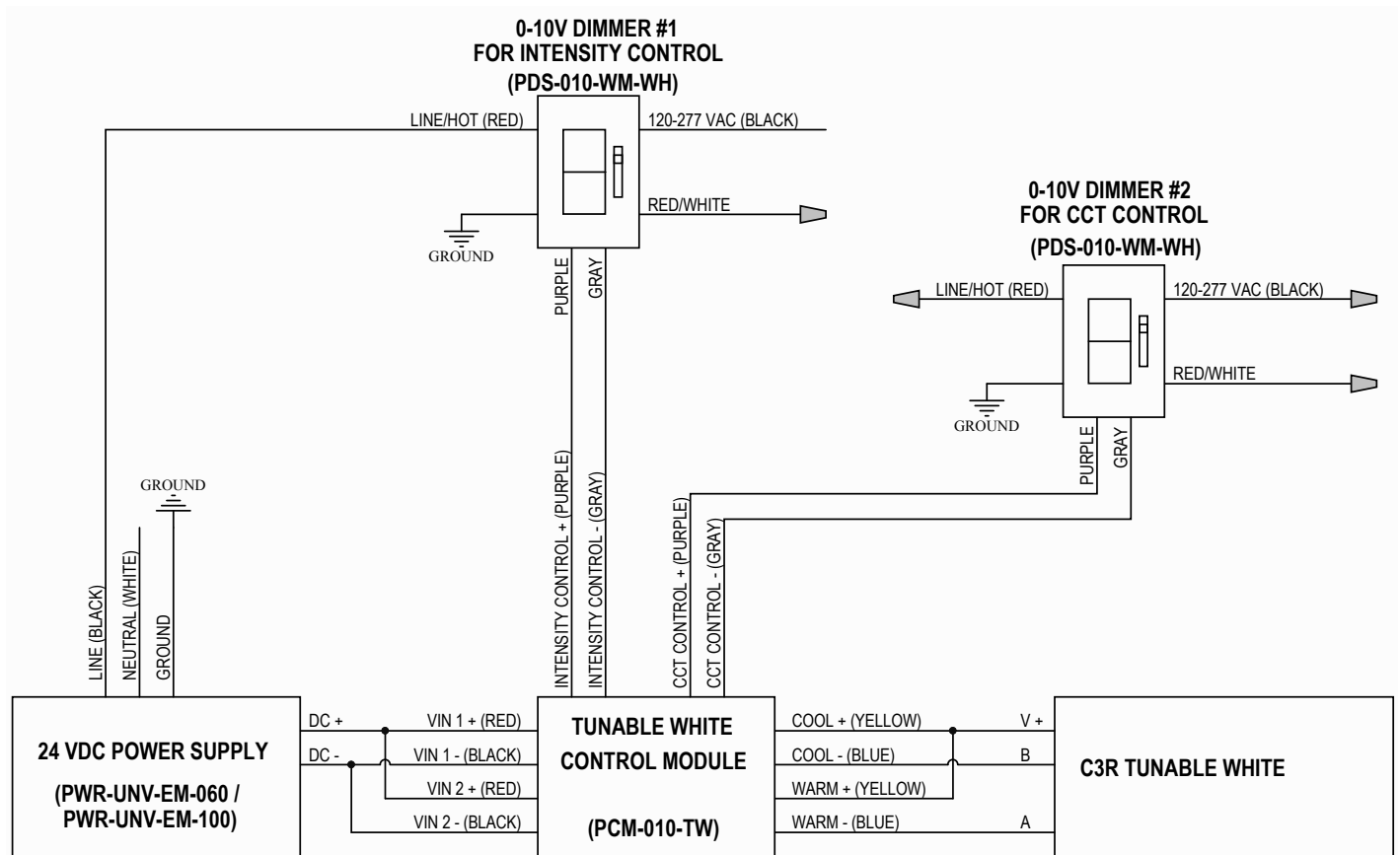
C3R 0-10V Tunable White & Warm Dim

REMOTE 24V POWER SYSTEM

0-10V CONTROL MODULES & DIMMER

WIRING DIAGRAM

0-10V TUNABLE WHITE/WARM DIM (REQUIRES TWO DIMMERS)



Tempo Industries reserves the right to change materials or modify the design of its product without notification as part of the company's continuing product improvement program. Please consult www.tempoindustries.com for the most up-to-date specifications and technical data.