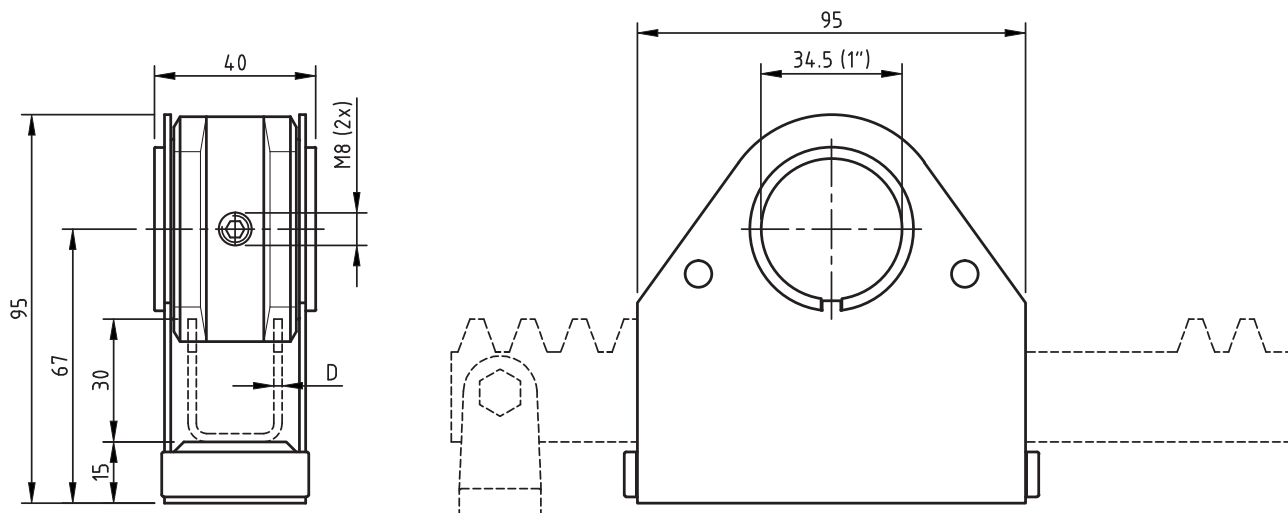


The THG30-Economy gearbox is intended exclusively for ventilation systems in light weight structures, for instance in plastic tunnels without intensive climate control. The THG30-Economy is designed for use with a 2 mm rack. Depending on the system, the rack box can be driven by a GW motor gearbox or a GWK worm gearbox.

The casing of the THG30, suitable for a 1" (33,7 mm) drive tube, is made of sendzimir galvanised steel plate and has high-grade plastic slide bearings and a slide block. The pinion is secured to the drive tube by means of two M8x12 set screws. The tightening torque for the set screws is 8 Nm.

As an option for drive tube Ø32 mm a clip is available. For drive tube 3/4" (Ø27 mm) a adapter tube is available.



Description	T [Nm]	D [mm]	s [ mm/rev]	m [kg]	Article number
Economy rack box THG30	8,1	2	138,23	0,41	P.THG30.UNIT.E