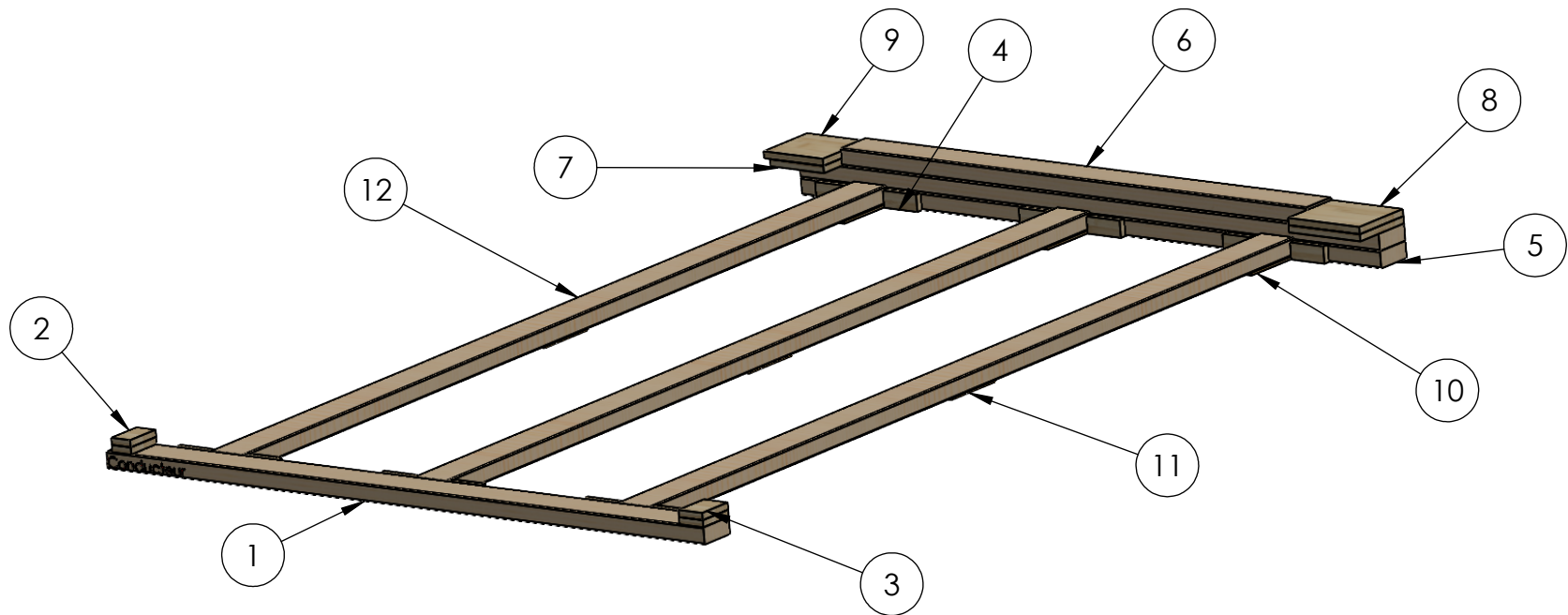


Master 50L GMC 2500 8' 2500 2020 & +

Number		Quantité	Lenght
1	2 x 4	1	62 7/8"
2	5/8" plywood cut to 3 1/2" width	2	2"
3	5/8" plywood cut to 3 1/2" width	2	2 1/2"
4	5/8" plywood cut to 3 1/2" width	12	1 1/2"
5	2 x 4	2	61"
6	2 x 4	1	49"
7	5/8" plywood cut to 6" width	1	5 5/8"
8	5/8" plywood cut to 6" width	2	7 1/2"
9	5/8" plywood cut to 6" width	1	6 1/4"
10	1/4" plywood cut to 3 1/2" width	3	6"
11	1/8" plywood cut to 3 1/2" width	3	6"
12	2 x 4	3	88 1/2"



Description: Shim kit for Master 50 long GMC 2500 HD 2020 & +

MORY inc.

701, rang St-Pierre - St-Anselme, QC - G0R 2N0
1-800-924-9804 - info@moryinc.com

Ownership and Confidentiality

The information contained in this drawing is the property of MORY inc.
All reproduction parts without written permission of MORY Inc. are
criminal offense.

Customer

M50L-SHGM-2500-20+_eng

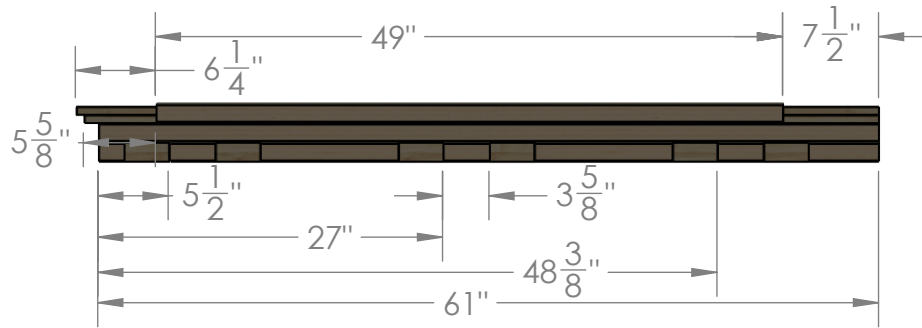
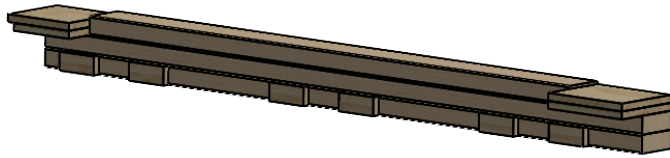
Drawn by: Stéphane Morin

Date: 2020-03-09

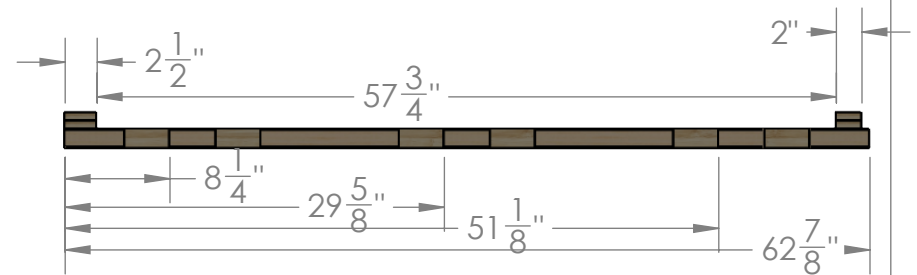
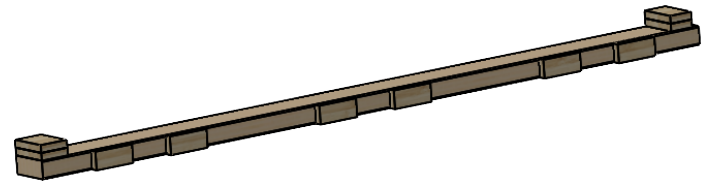
Scale: 1:15

SHEET 1 OF 2

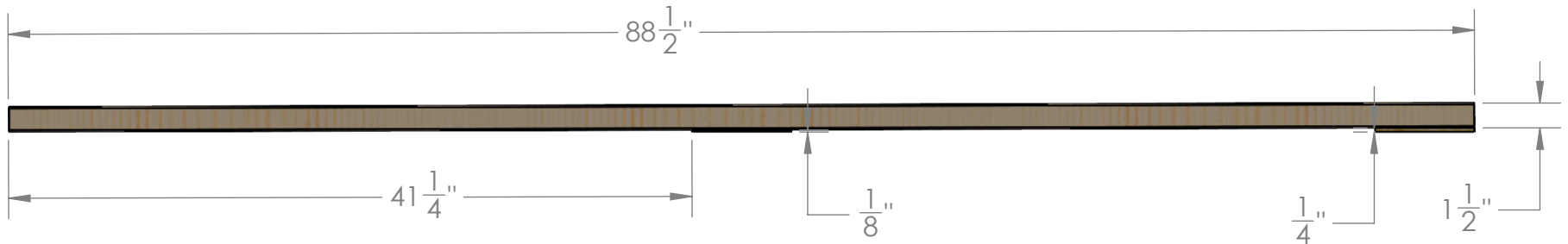
Front



Rear



Crossbar



Description: Shim kit for Master 50 long GMC 2500 HD 2020 & +

MORY inc.

701, rang St-Pierre - St-Anselme, QC - G0R 2N0
1-800-924-9804 - info@moryinc.com

Ownership and Confidentiality

The information contained in this drawing is the property of MORY inc.
All reproduction parts without written permission of MORY Inc. are
criminal offense.

Customer

M50L-SHGM-2500-20+_eng

Drawn by: Stéphane Morin

Date: 2020-03-09

Scale: 1:15

SHEET 2 OF 2