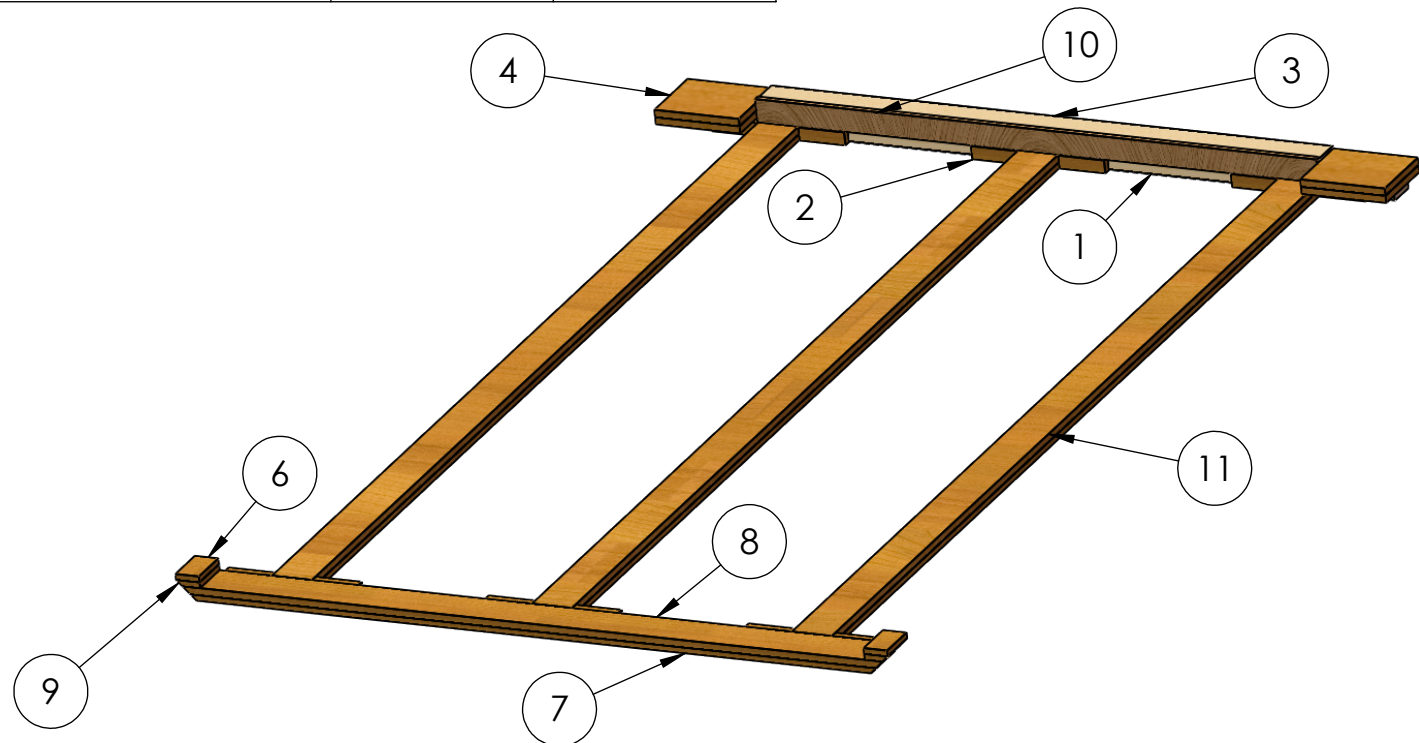


Master 75 GM 2014 & +

Article #	Description	Length	Qty
1	2 x 3	61 1/2"	1
2	Plywood 5/8" cut at 4"	1 1/8"	12
3	2 x 3	49"	1
4	Plywood 5/8" cut at 6"	7 3/8"	4
5	Plywood 1/2" cut at 3 1/2"	88 1/4"	3
6	Plywood 1/2" cut at 3 1/2"	2 1/16"	2
7	Plywood 1/2" cut at 3 1/2"	59 7/8"	1
8	Plywood 5/8" cut at 3 1/2"	61 1/8"	1
9	Plywood 1/2" cut at 3 1/2"	2 1/16"	2
10	Plywood 1/2" cut at 2"	49"	1
11	Plywood 5/8" cut at 3 1/2"	88 1/4"	3



Description:

MORY inc.

701, rang St-Pierre - St-Anselme, QC - G0R 2N0
1-800-924-9804 - info@moryinc.com

Ownership and Confidentiality

The information contained in this drawing is the property of MORY inc.
All reproduction parts without written permission of MORY Inc. are
criminal offense.

Customer

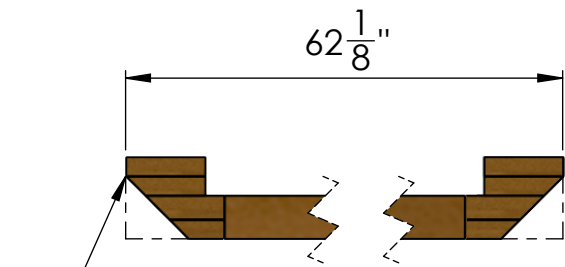
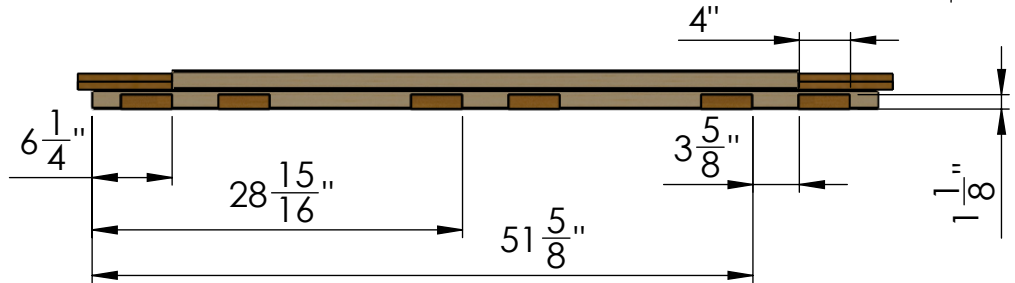
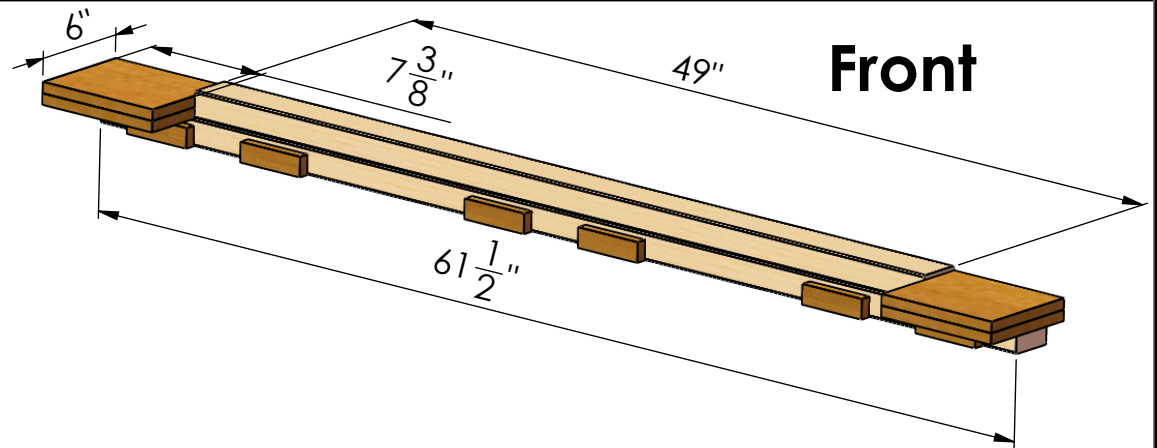
KS-M75L-N-GM-2018+_eng

Drawn by: Stéphane Morin

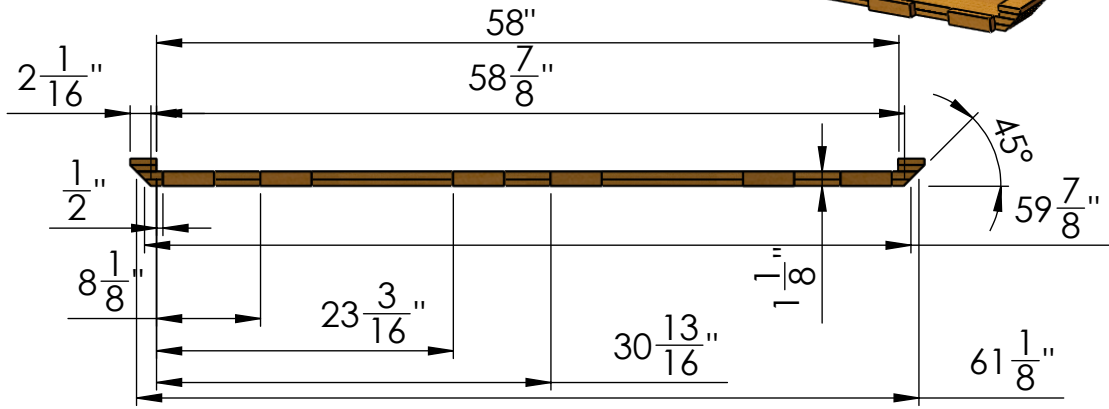
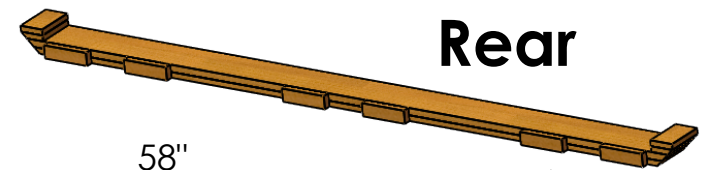
Date: 2018-02-19

Scale: 1:50

SHEET 1 OF 2



All assemble and cut at 45 here



Description:

MORY inc.

701, rang St-Pierre - St-Anselme, QC - G0R 2N0
1-800-924-9804 - info@moryinc.com

Ownership and Confidentiality

The information contained in this drawing is the property of MORY inc. All reproduction parts without written permission of MORY Inc. are criminal offense.

Customer	KS-M75L-N-GM-2018+_eng	Drawn by:	Stéphane Morin
		Date:	2018-02-19
		Scale:	1:50
			SHEET 2 OF 2