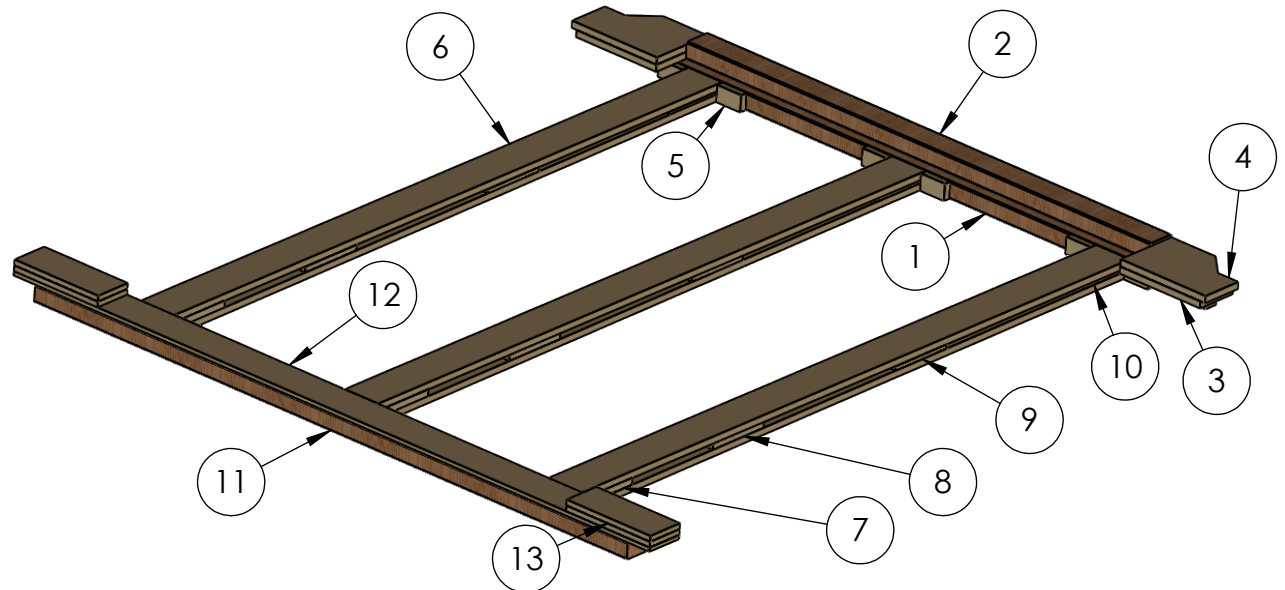


No. ARTICLE	QTE	Material	Longueur
1	1	2 x 4	62"
2	1	2 x 3	48 1/2"
3	2	Plywood 5/8" cut at 6"	8 3/8"
4	2	Plywood 5/8" cut at 6"	8 7/8"
5	12	Plywood 5/8" cut at 2 1/2"	1 1/2"
6	6	Plywood 5/8" cut at 3 1/2"	64 3/4"
7	3	Plywood 5/8" cut at 3 1/2"	6"
8	3	Plywood 1/2" cut at 3 1/2"	6"
9	3	Plywood 3/8" cut at 3 1/2"	6"
10	3	Plywood 1/4" cut at 3 1/2"	6"
11	1	2 x 4	62"
12	1	Plywood 3/8" cut at 3 1/2"	66 1/2"
13	4	Plywood 1/2" cut at 3 1/2"	8 3/4"

Master 75 6 1/2' & Master 60 6 1/2' Dodge Ram 2009 & +



Description:

MORY inc.

701, rang St-Pierre - St-Anselme, QC - G0R 2N0
1-800-924-9804 - info@moryinc.com

Ownership and Confidentiality

The information contained in this drawing is the property of MORY inc.
All reproduction parts without written permission of MORY Inc. are
criminal offense.

Customer

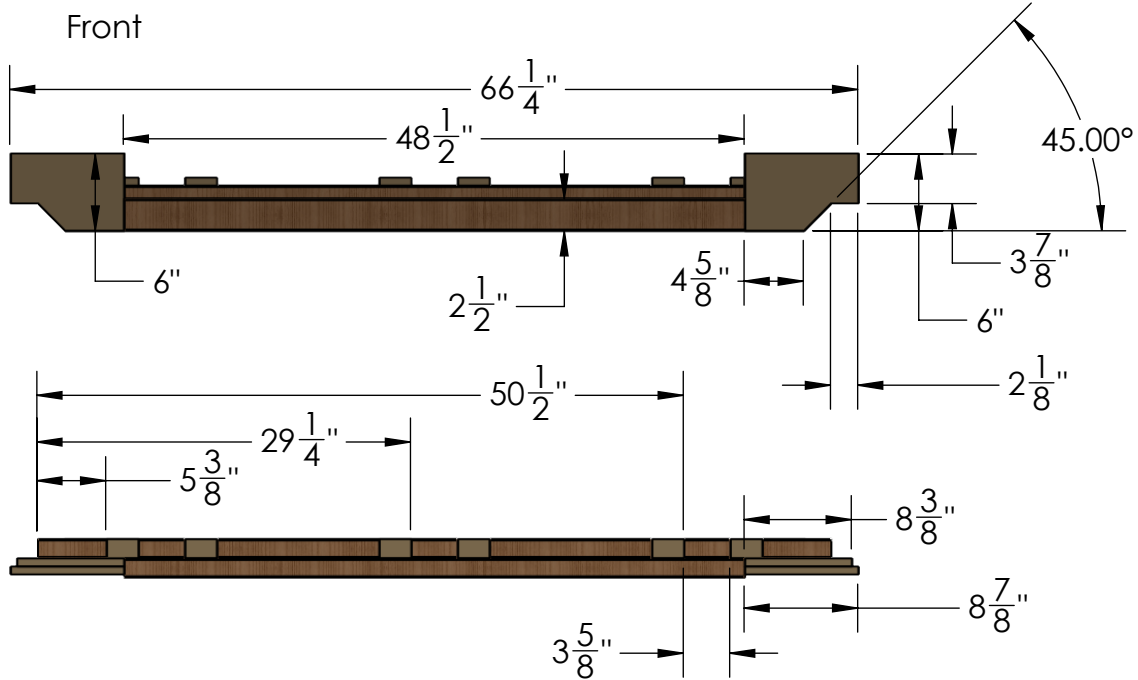
KS-M75C-M60C-RAM-2009+_eng

Drawn by: Stéphane Morin

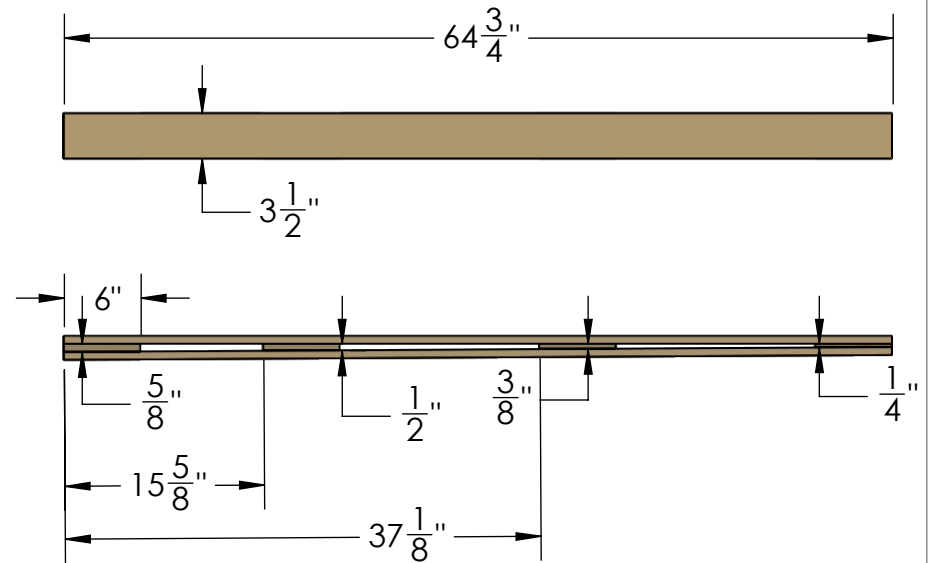
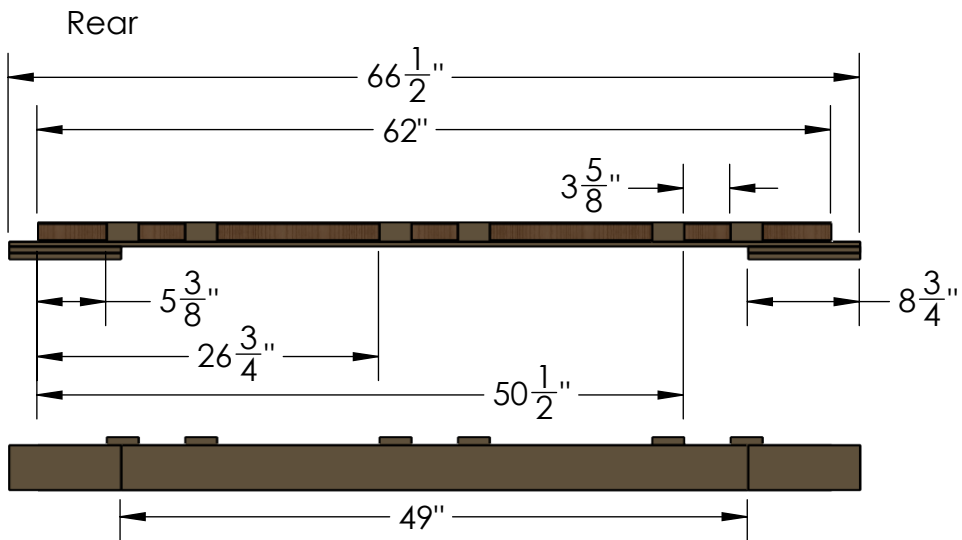
Date: 2018-02-15

Scale: 1:15

SHEET 2 OF 3



Cross-Bar



Description:

MORY inc.

701, rang St-Pierre - St-Anselme, QC - G0R 2N0
1-800-924-9804 - info@moryinc.com

Ownership and Confidentiality

The information contained in this drawing is the property of MORY inc.
All reproduction parts without written permission of MORY Inc. are
criminal offense.

Customer

KS-M75C-M60C-RAM-2009+_eng

Drawn by: Stéphane Morin

Date: 2018-02-15

Scale: 1:15

SHEET 3 OF 3