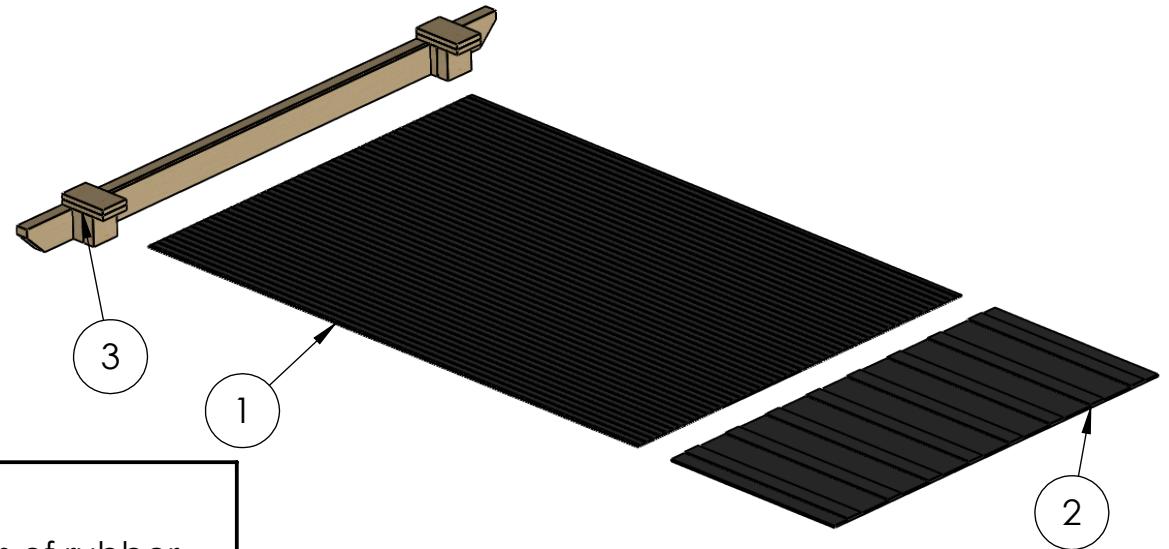


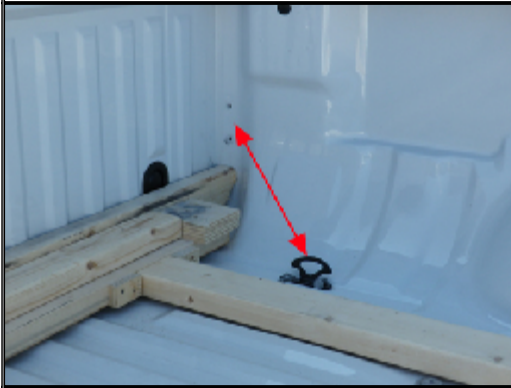
ARTICLE #	DESCRIPTION	Qty
1	Rubber mat 1/8" Thick 4' x 6'	1
2	Rubber mat 3/8" Thick 4' x 2'	1
3	Front shim	1
4	Double Rubber mat 4" x 7"	4

Shim **Master 75 8' nouveau modèle** pour Ford F-250 Super Duty 1999 & +



Disassemble the front anchor so you can easily enter the front Shim. You can reinstall it when the shim is in place.

Put the pieces of rubber under the fastening system



Description:

MORY inc.

701, rang St-Pierre - St-Anselme, QC - G0R 2N0
1-800-924-9804 - info@moryinc.com

Ownership and Confidentiality

The information contained in this drawing is the property of MORY inc. All reproduction parts without written permission of MORY Inc. are criminal offense.

Customer

KS-M75-N-F250-99&+_8_eng

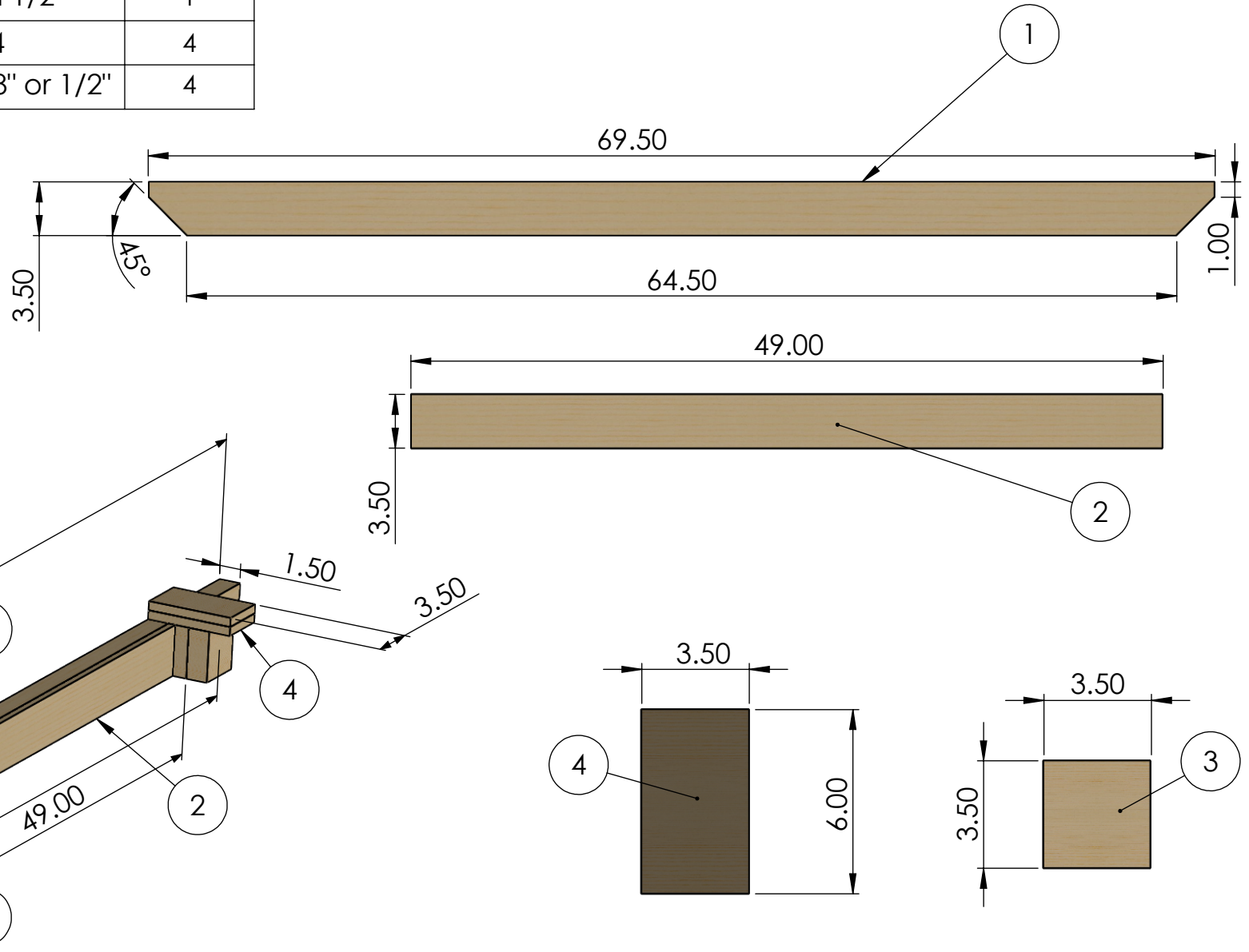
Drawn by: Stéphane Morin

Date: 2018-02-19

Scale:1:100

SHEET 1 OF 2

No. ARTICLE	Description	QTE
1	2 x 4	1
2	Plywood 1/2"	1
3	2 x 4	4
4	Plywood 5/8" or 1/2"	4



Description:

MORY inc.

701, rang St-Pierre - St-Anselme, QC - G0R 2N0
1-800-924-9804 - info@moryinc.com

Ownership and Confidentiality

The information contained in this drawing is the property of MORY inc.
All reproduction parts without written permission of MORY Inc. are
criminal offense.

Customer

KS-M75-N-F250-99&+_8_eng

Drawn by: Stéphane Morin

Date: 2018-02-19

Scale: 1:100

SHEET 2 OF 2