

Woodside
Industries Inc.

The Performance Series

STANDARDIZED DURABLE CABINETRY



The Performance Series

by Woodside Industries

Made in the USA

Quality

When we designed the performance series, our objective was to come up with a standardized range of cabinetry that offered the quality and durability of custom built units without the custom built price tag.

Price

We have optimized our production techniques and carefully sourced our suppliers to ensure that the Performance Series represents the best possible blend of quality and value.

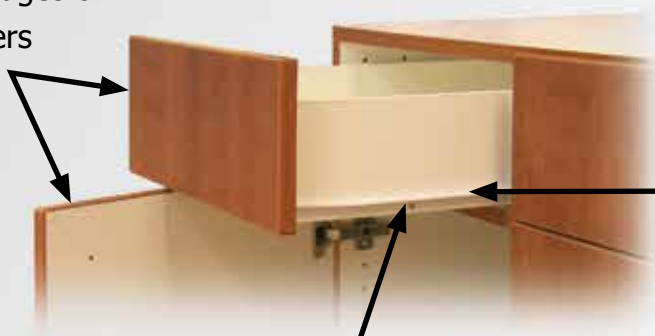
Service

At Woodside, we believe that a project is not finished after the installation is complete. We are continually committed to our products and our customers. We stand behind our workmanship and guarantee our customers satisfaction.



The Anatomy of a Quality Cabinet

1/8" thick PVC edges on doors and drawers



Durable 1/2" white melamine drawer boxes with 1/2" white melamine bottom panel

Dependable 3/4" extension metal European slides with 100 lbs weight rating

Linedrilling for shelf adjustment and hardware mounting

1/2" melamine solid cabinet back

Predrilled standard handle holes



Quality Grade 3/4" L.P. laminate casework construction

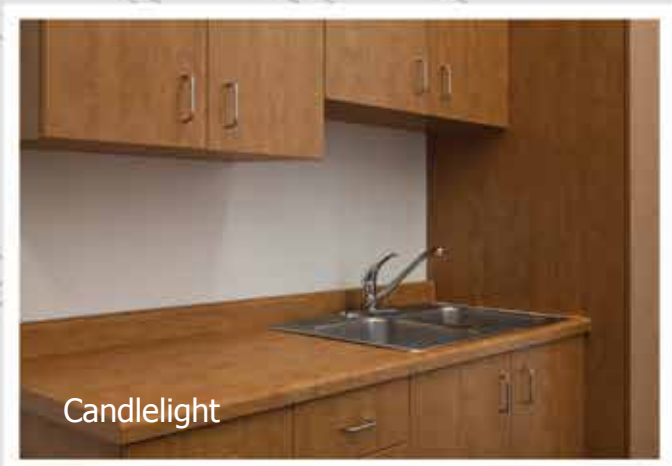
.018" PVC box and shelf edging per color selected

Fully concealed hinges

As an optional upgrade, cabinet faces can be upgraded to HP laminate, thermofoil, wood veneer, or solid wood panels. Contact us for more details.

Gallery of Completed Projects

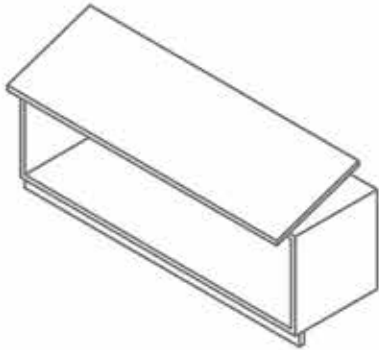
The photography featured on this page highlights a sampling of finished Performance jobs. The labels reference the color of the cabinetry featured in the image.



Stock Cabinet Styles

Configuration Options

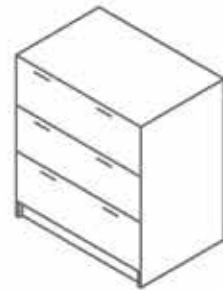
The illustrations below represent a few of our base cabinet styles. Each of these cabinet styles come in a variety of sizes and configurations. View all of our options and available configurations in detail at our website - www.woodside-industries.com.



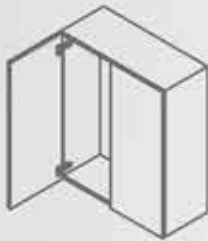
Hutches



File Pedestals



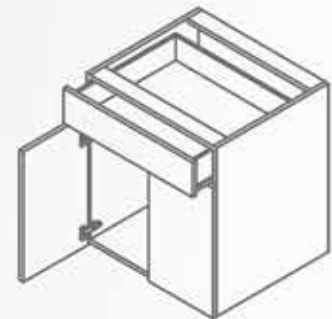
Lateral Files



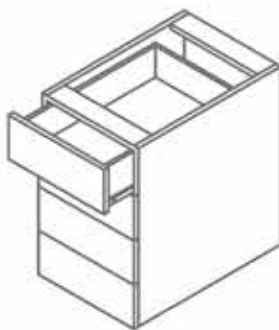
Wall Cabinets



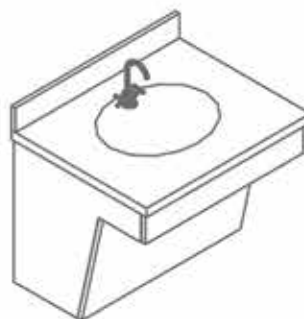
Book Cases and Storage



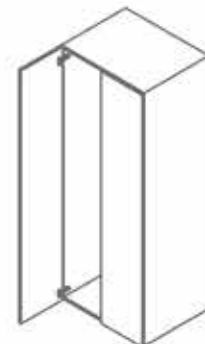
Base Cabinets



Drawer Base



Handicap Sink Bases



Special Purpose
Utility Cabinets

Cabinet Finishing Options

Cabinet Color Options

All of our cabinet finishes are based on the same scratch resistant laminate material. Choose from ten designer selected color options.



Medium Oak



Candlelight



Dark Mahogany



Summer Flame



Light Maple



Chocolate Pear



Light Gray



Black



Almond



White

Counter Top Edge Options



Standard



Nova



Classic Square



PVC Square

Counter Top Material Options

We collaborate with a network of trusted countertop fabricators and have access to a wide range of countertop finishes. Contact us and we will direct you to the best options based on your specific requirements.

Hardware & Accessories



Garbage Can Pullouts



Organizers



File Drawers

A Variety of Options to Suit Your Needs

We can incorporate many different popular accessories and we offer a tasteful array of hardware styles. Work with the knowledgeable team at Woodside to come up with exactly what you require.



Phone: 1-701-265-8212

Fax: 1-701-265-4911

mail@woodsideind.com

www.woodside-industries.com

606 Division Avenue South
Cavalier, North Dakota 58220