

# SD-WM

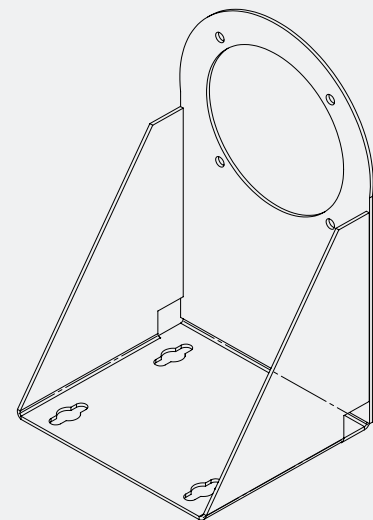
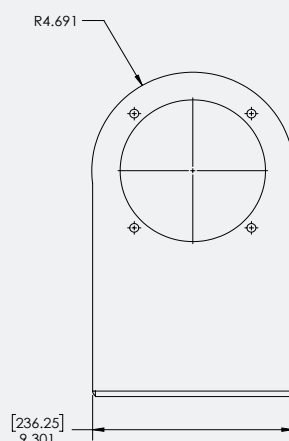
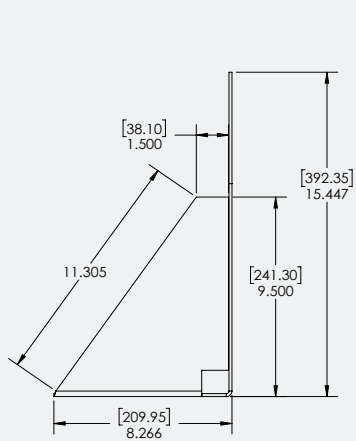
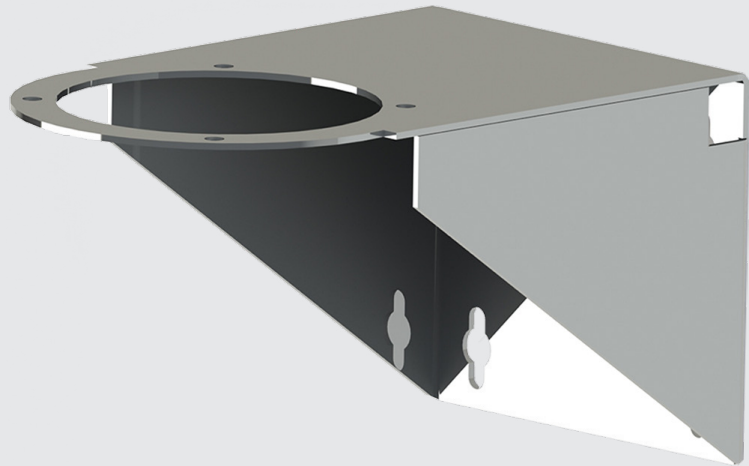
## Wall-Mount for D-Series Cameras

### Description

The SD-WM stainless steel wall-mount is designed for the D-Series camera line. The wall-mount offers the ability to mount the camera upside down on walls. It is resistant to corrosion and is ideal for onshore, offshore, marine, and heavy industrial applications.

### Key Features

- Electro-polished stainless steel
- Resistant to corrosion
- Sturdy and safe
- For D-Series Cameras



### Specifications

<b>Dimensions</b>	383 x 236 x 210 mm ( 15 1/16 x 9 3/8 x 8 1/4 in)	
<b>Weight</b>	4.6 kg ( 10.2 lb )	
<b>Maximum Load Tested</b>	1000kg (2200lb)	
<b>Material</b>	Electropolished stainless steel	

### Compatible Products

D-Series Cameras	SD-CM: Corner Mount	SD-VM: Vibration Mount
SD-PM: Pole Mount	SD-SO: Standoff Mount	SD-RSK: Reliable Securing Kit