

# SD-VM

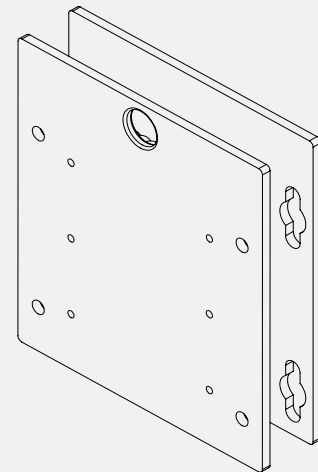
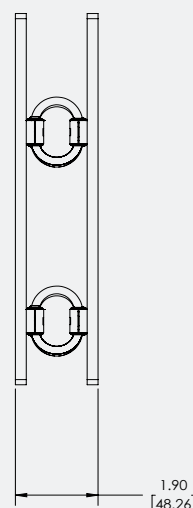
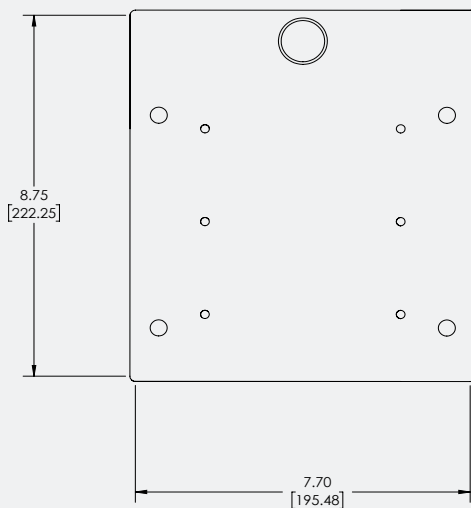
## Vibration-Mount

### Description

The electropolished stainless-steel vibration-mount is designed as a mounting accessory for all cameras. The vibration-mount is ideal for onshore, offshore, marine and heavy industrial applications.

### Key Features

- Dampen vibrations
- Electropolished Stainless Steel
- Resistant to Corrosion
- Sturdy & Safe



### Specifications

<b>Dimensions</b>	202 x 196 x 48 mm ( 8 x 7 7/8 x 1.9 in )		
<b>Weight</b>	10 lbs ( 4.53 kg )		
<b>Maximum Load Tested</b>	1000 kg ( 2200 lb )		
<b>Material</b>	Electropolished stainless-steel		

### Compatible Products

SD-SO: Standoff Mount	SD-CM: Corner-Mount	SF-RSK: Reliable Securing Kit	SD-RSK: Reliable Securing Kit
F1XX-WM: Wall Mount	SD-WM: Wall-Mount	SD-HM: Horizontal-Mount	