

# SD-PM

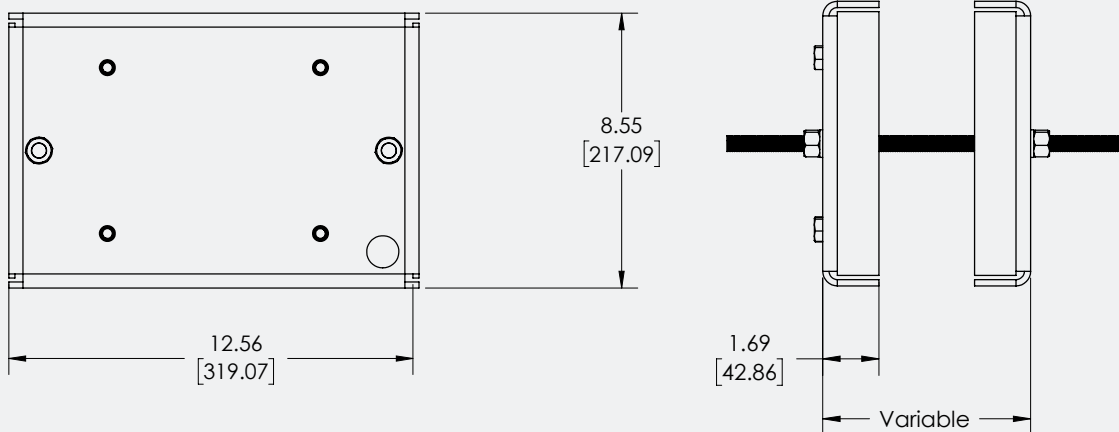
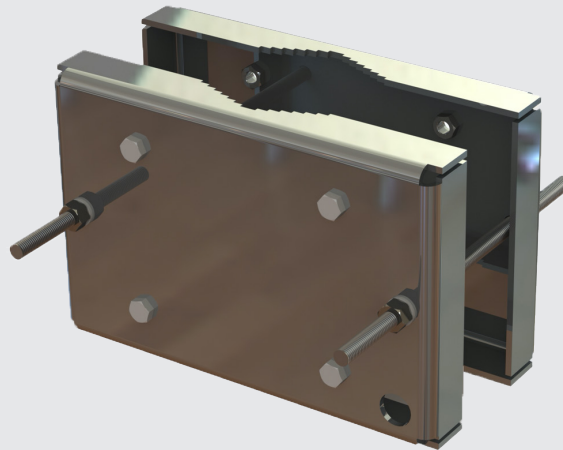
## Pole-Mount Adapter

### Description

The electropolished stainless steel pole-mount adapter is designed as an accessory to all cameras. Together with the required wall-mount, it allows for the cameras to be mounted on poles. The pole-mount is ideal for onshore, offshore, marine and heavy industrial applications.

### Key Features

- Ability to mount cameras on poles
- For Pole Diameters 2 to 8 in
- Electropolished Stainless Steel
- Resistant to Corrosion
- Sturdy & Safe



### Specifications

<b>Dimensions</b>	318 x 216 x 86 mm ( 12.5 x 8.5 x 3.38 in )
<b>Weight</b>	10.7 kg ( 23.6 lb )
<b>Maximum Load Tested</b>	1000 kg ( 2200 lb )
<b>Material</b>	Electropolished Stainless Steel

### Compatible Products

SD-SO: Standoff Mount	SD-VM: Vibration Mount	SF-RSK: Reliable Securing Kit	SD-RSK: Reliable Securing Kit
F1XX-WM: Wall Mount	SD-WM: Wall-Mount	SD-HM: Horizontal-Mount	