

SD-HM

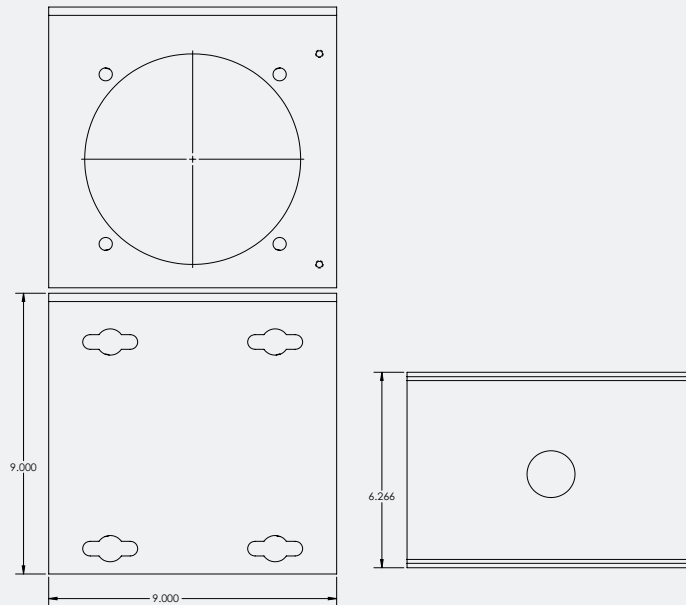
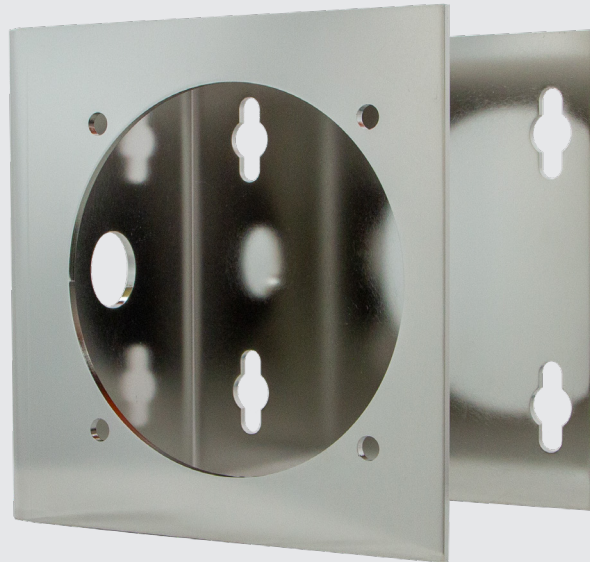
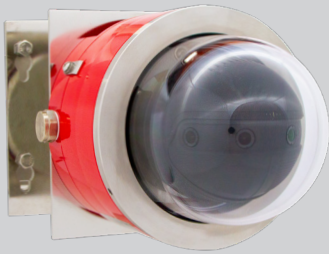
Wall-Mount for Dome Cameras

Description

The SD-HM stainless steel wall-mount is designed for the D-Series camera line (recommended choice for panoramic cameras). The mount offers the ability to mount the camera upside horizontally on walls or pendant on ceilings. It is resistant to corrosion and is ideal for onshore, offshore, marine, and heavy industrial applications.

Key Features

- Electro-polished stainless steel
- Resistant to corrosion
- Sturdy and safe
- Mount Horizontal or Pendant
- For Panoramic Dome Cameras



Specifications

Dimensions	229 x 229 x 160 mm (9.0 x 9.0 or 6.3 in)
Weight	3.2 kg (7.0 lb)
Maximum Load Tested	1000kg (2200lb)
Material	Electropolished stainless steel

Compatible Products

D-Series Cameras	SD-CM: Corner Mount	SD-VM: Vibration Mount
SD-PM: Pole Mount	SD-SO: Standoff Mount	SD-RSK: Reliable Securing Kit