

# F1XX-WM

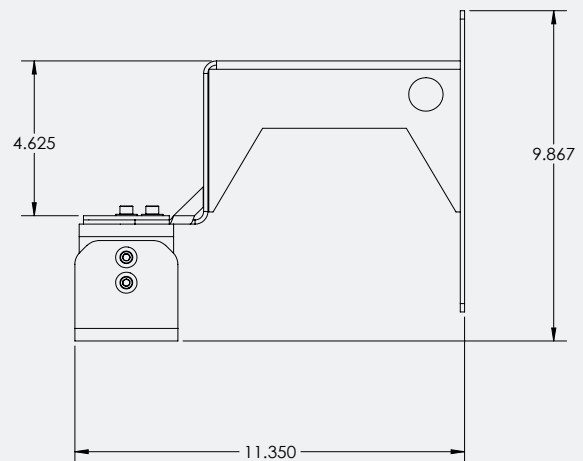
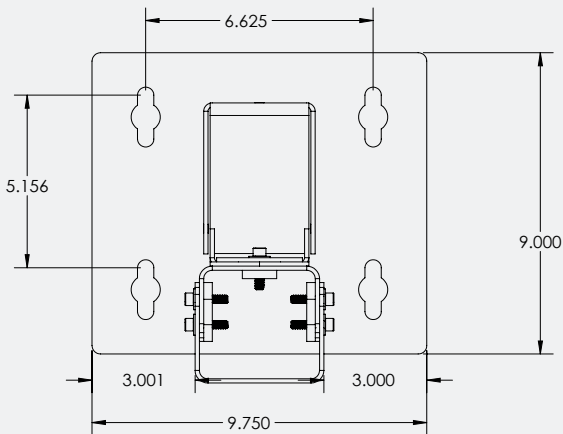
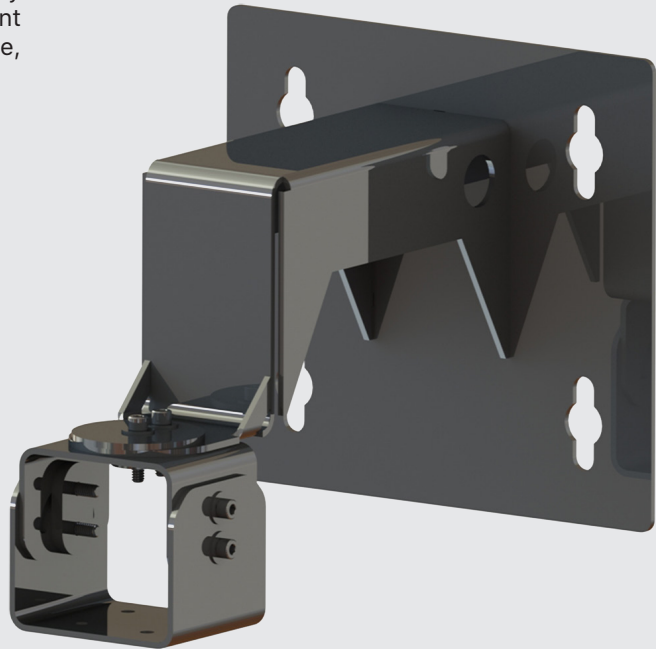
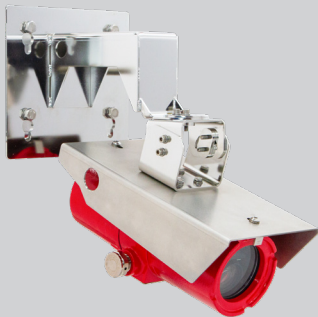
## Wall-Mount for F-Series Cameras

### Description

The F1XX-WM stainless steel wall-mount is designed for the F-Series camera line. The wall-mount offers the ability to redirect the camera to various positions. It is resistant to corrosion and is ideal for onshore, offshore, marine, and heavy industrial applications.

### Key Features

- Electro-polished stainless steel
- Resistant to corrosion
- Sturdy and safe
- For F-Series Cameras



### Specifications

<b>Dimensions</b>	248 x 288 x 328 mm ( 8 1/2 x 11 3/8 x 13 in )	
<b>Weight</b>	3.8 kg ( 8.4 lb )	
<b>Maximum Load Tested</b>	1000kg (2200lb)	
<b>Material</b>	Electropolished stainless steel	

### Compatible Products

F-Series Cameras	SD-CM: Corner Mount	SD-VM: Vibration Mount
SD-PM: Pole Mount	SD-SO: Standoff Mount	SF-RSK: Reliable Securing Kit