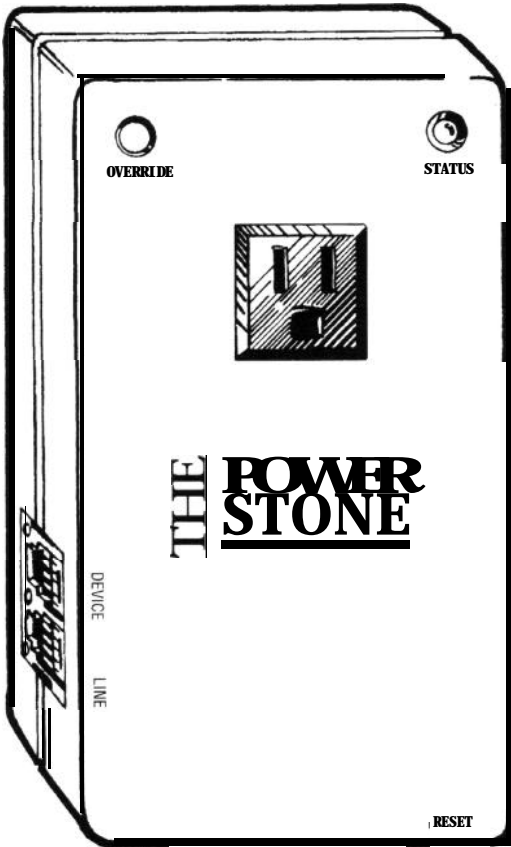


THE POWER STONE

TM



OPERATIONS/ PROGRAMMING MANUAL

RELAX. This is NOT rocket science.

About This Manual

We are serious about making the finest products on the market. And we are serious about the information you need to make the product function correctly.... but we can't get real serious about writing product manuals.

There are enough bad product manuals out there to sink an aircraft carrier. You've probably seen them-the ones that take a degree in Electrical Engineering to figure out, or they are written in every language except English or...they are just plain boring.

Our humor or wit (or lack of either) in the rhetoric of this manual is not put here to lessen any aspect of the product except maybe the painful task of getting through some very dry material. Thanks.

Something You Should Know Now That You Have Purchased Our Product-

You are the most important person in the world and we at Multi-Link want to THANK YOU for your business. We can't say it enough! At one time in America, business was conducted face to face where a word and a handshake were good enough. While we seldom get the opportunity to personally meet and thank the people who buy our products, we realize your purchase of The Power Stone™ is a vote of confidence and trust in our product and our company. We will not betray this confidence or trust-that is our word and handshake to you. You are the backbone of our business.

The ultimate goal we, as a company, have targeted is your satisfaction. We want you as a customer. A commitment to your complete satisfaction AFTER THE SALE is our pledge. If at any time you have a comment or question about The Power Stone™ - call us at 1 800 535 4651. We want to hear from you; and again, THANKS for the opportunity to do business with you. You are important to us.

Your Needs....And Our Product.

Our engineering and marketing folks here at Multi-Link have designed a feature-rich product that can perform a very simple function, control power to your equipment, a number of different ways. It is our intent, with this manual, to supply you with all the operational information needed to realize the full potential of The Power Stone. While our focus is to get you “up and running” as quick as possible, it is difficult to anticipate what specific information you will need to do this. Here’s what we suggest:

First, look through the table of contents to become familiar with the manual layout and what features you think would apply for your application. Definitely read the sections titled “**How The Power Stone Works (An Overview!)**” and “**Down N’ Dirty Application Info For The Terminally Impatient**”. These sections are pretty good for developing a basic concept for your specific application. We also recommend turning to page 14 - and viewing the “**Programming and Quick Reference Guide**” to familiarize yourself with the programming of features.

If your power control needs are pretty simple and you require The Power Stone to operate in one mode all the time, then the job is simple. Just read the “Programming and Quick Reference Guide” the “**Manual Operation /Programming Of The Power Stone**” section and go for it! Install The Power Stone, program pertinent features and operating mode (according to the manual directions and your application requirements).....and it’s a done deal.

If your power control needs are of a more complex variety and you want to master The Power Stone’s full potential as a remote power control and feature “readback” device we suggest you do this..... read the manual thoroughly, hook-up The Power Stone to a phone line and 120 Volt wall socket, plug in your selected device, connect a phone to the "DEVICE" port and play with it. "Hands-on" training is the best way to sharpen your operating skills, instill confidence in The Power Stone’s abilities and overcome any “technophobia” you may have.



Table of Contents

"The Power Stone"

Call-Activated Power Controller
Operations/Programming Manual

1	Safety Instructions	1
2	How The Power Stone Works (An Overview!)	2
3	"Down N' Dirty" Application Info For The Terminally Impatient	5
4	Automatic Operation	8
	4.1 "Rings To Trip" Feature	
	4.2 "Distinctive Ring" Cadence Detection Feature	
	4.3 Automatic Operating Modes	
5	Passive Operation	10
	5.1 Passive Operating Modes	
	5.2 Helpful Tips	
6	Programmable Features W/ Registers	11
7	Standard Nonprogrammable Features	12
	7.1 "Read Only" Registers	
	7.2 Audible Readback Of Programming	
	7.3 Manual Override Button	
	7.4 Telephone Override Commands	
	7.5 Status Power LED	
	7.6 Circuit "RESET" Button	
8	The Programming And Quick Reference Guide	14
9	Manual Operation/Programming Of The Power Stone	15
	9.1 The "How To" Of Programming	
	9.2 An Overview Of Programming	
	9.3 Audible Readback Of Programming	
10	Installation Overview/Helpful Tips	20
11	Remote Programming/Feedback Card	22
12	FCC/DOC Registration	24
13	Warranty Service Information	25
14	Technical	26

When using your telephone/electrical power equipment, basic safety precautions should always be followed to reduce the risk of fire, electric shock and injury to persons, including the following:

1. Read and understand all instructions.
2. Follow all warnings and instructions marked on the product.
3. Unplug this product from the wall outlet before cleaning. Do not use liquid cleaners or aerosol cleaners. Use a damp cloth for cleaning. Let dry thoroughly before plugging device back into 120 Volt outlet.
4. Do not use this product near water, for example, near a bathtub, wash bowl, kitchen sink or laundry tub, in a wet basement, or near a swimming pool. Do not use this product outdoors.
5. Do not place this product on an unstable cart, stand, or table. The product may fall causing serious damages to the product.
6. This product should never be placed near or over a radiator or heat register. This product should not be placed in a built-in installation unless proper ventilation is provided.
7. This product should be operated only from the type of power source indicated on the marking label. If you are not sure of the type of power supply to your home, consult your dealer or local power company.
8. Do not allow anything to rest on the power cord to phone lines connected to it. Do not locate this product where the cord will be abused by persons walking on it.
9. Do not overload wall outlets and extension cords as this can result in the risk of fire or electric shock.
10. Never push objects of any kind into this product through cabinet slots as they may touch dangerous voltage points or short out parts that could result in a risk of fire or electric shock. Never spill liquid of any kind on the product.
11. To reduce the risk of electric shock, do not disassemble this product, but take it to a qualified serviceperson when some service or repair work is required. Opening or removing covers may expose you to dangerous voltages or other risks. Incorrect reassembly can cause electric shock when the appliance is subsequently used.
12. Unplug this product from the wall outlet and refer servicing to qualified service personnel under the following conditions:
 - A) When a power supply cord/plug or phone line cord connected to the product is damaged or frayed.
 - B) If liquid has been spilled into the product, but it is thoroughly dried out.
 - C) If the product has been exposed to rain or water, but it is thoroughly dried out.
 - D) If the product does not operate normally by following the operating instructions, adjust only those controls that are covered by the operating instructions because improper adjustment of other controls may result in damage and will often require extensive work by a qualified technician to restore the product to normal operation.
 - E) If the product has been dropped or the cabinet has been damaged.

- F) If the product exhibits a distinct change in performance.
13. Avoid using a telephone (other than a cordless type) during an electrical storm. There may be a remote risk of electric shock from lightning.
14. Do not use the telephone to report a gas leak in the vicinity of the leak.
15. Do not touch or attempt to unplug this product from the wall outlet if:
- A) liquid has been spilled into the product and it is wet or suspected to be wet.
 - B) the product has been exposed to rain or water and it is wet or suspected to be wet.

INSTALLATION INSTRUCTIONS

1. Never install telephone wiring during a lightning storm.
2. Never install telephone jacks in wet locations unless the jack is specially designed for wet locations.
3. Never touch uninsulated telephone wires or terminals unless the telephone line has been disconnected at the network interface.
4. Use caution when installing or modifying telephone lines.

SAVE THESE INSTRUCTIONS!!!!!!

2

How The Power Stone Works

Slick, Hi-Tech Marketing Statement - The Power Stone is a call-activated “power control” call processor that can perform a number of functions relating to the supply of 120 Volt power to your selected equipment. This feature-rich power controller enables you to power up, power down, or interrupt power to your equipment (up to 15 Amps at 120 Volts) through a single phone line - either with its automatic operation capability or by manually inputting commands through the phone line (in the form of touchtones) from a telephone.

Hopefully Plain and Simple -

If the previous paragraph said too much, here's the deal in layperson terms..... The Power Stone can work for you three ways - automatically, passively or manually - and with all the available programming features, it will satisfy your power control requirements for just about any application. The possibilities and options are endless! Your feature and operation selection depends on what equipment you want to control power to and how you want to do it.



Manual Control (Remote or On-Site) - You can control power to equipment (plugged into the standard 120 Volt receptacle on the front of The Power Stone)

MANUALLY by:

- a) calling into The Power Stone's location, entering your security access code and appropriate feature commands from a touchtone phone, or
- b) picking up the touchtone phone connected directly to The Power Stone and entering your security access code and appropriate feature commands.

Once you've entered your security access code, you can also command The Power Stone to give you an audible "readback" status on:

- a) how each individual feature is programmed,
- b) the status of power supplied to your equipment and
- c) whether there has been a recent power outage at The Power Stone's location.

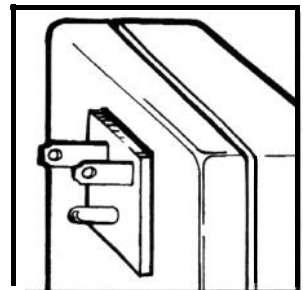
More in-depth information about **Manual Control** can be found on page 15, but please continue to read on to get the "big picture" of how your fine product operates.

Automatic Operation - You can program The Power Stone to control power via one of three automatic operating modes, "**Power On Call**", "**Reboot**" or "**Toggle**" For a more in-depth explanation of each individual operating mode and how they control power to your equipment, see [page 9](#). For Automatic Operation, you are also required to program the "Rings To Trip" feature. Here's how "Rings To Trip" works. When a call rings into the location of The Power Stone your selected automatic operation will be activated or "tripped" when The Power Stone detects either "2 or less" rings or "3 or more". For a more detailed explanation about "**Rings To Trip**" options see [page 8](#).

Passive Operation - The Power Stone also has two passive operating modes, "**Passive On**" and "**Passive Off**", that totally ignore the "rings" of an inbound call while providing either no power (Passive Off) or constant power (Passive On) to your equipment. Either passive mode is useful when you do not want an inbound call to change the status of the power to your equipment.

How Do You Hook It Up? This part is real simple and straight forward in good 01' plain English. Refer to [page 20](#), "**Installation Overview/Helpful Tips**" section for pictures. It contains two installation schematics that should cover virtually any application that you have in mind. The installation part is a no-brainer. What really makes The Power Stone work is your choice of operating mode (Passive or Automatic), the selected number of rings to trip an (Automatic) operating mode, your understanding of how to access Manual Operating mode from a remote location and the audible readback feature.

Plugging Into 120 Volt Power - On the backside of The Power Stone, there are three metallic "blades" which look like the 120 Volt electrical blades found on any standard electrical plug. That's right, these blades are standard size and are designed to plug into any standard grounded 120 Volt electrical wall outlet, extension cord or power strip. The key word here is "grounded." For maximum protection to you and your equipment, only plug The Power Stone into grounded wall outlets, extension cords or power strips.

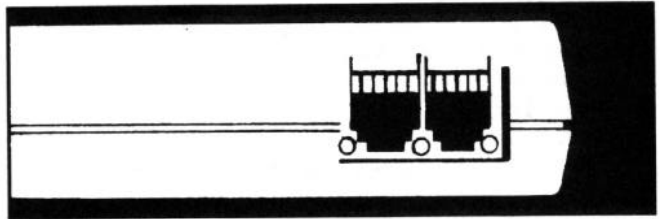




Safety Tip: If you use an extension cord, be sure it is capable of safely carrying the current required by your load.

Connecting To The Phone Line - You will find, on the left side of the Power Stone (as you look at the face of the unit), a 2 port RJ-11 telephone line receptacle. One port is labeled "LINE". Take the supplied modular telephone line cord and plug one end into the "LINE" port. Plug the other end into the telephone wall jack. The Power Stone is now connected to the phone line.

The other port labeled "DEVICE" allows you to connect any "telephone" equipment (fax machine, modem, PC fax/modem card, telephone, answering machine, etc.) through The Power Stone to the phone line.



When an inbound call "rings" in to your location, The Power Stone will pass the ring voltage through to the equipment connected to the port labeled "DEVICE". When you are ready to program The Power Stone on site, you will be required to plug a touchtone phone into the port labeled "DEVICE".

Now That You're Comfortable! Hopefully you've now gotten the basic grasp of how The Power Stone operates. If not, please browse through this section again. If you know or think you have a good idea about your application and how The Power Stone needs to be programmed - go for it! If you have no idea, or just want to get some quick input, please read the next section appropriately titled:

3 "Down N' Dirty" Application Info

.....FOR THE TERMINALLY IMPATIENT

In The Home or Home/Office - The Power Stone can be used to control power to many different types of electronic devices normally found in the home or office. Again, home and office applications are dependent on what you want to control power to and how you want to do it. Some of the more popular applications (with recommended programming scenarios) are listed in this section.

1) If You Want To Power Up A PC/Modem (or Fax Machine) Automatically..... Installation - Refer to Installation Number 1 on page 20 of the Installation Overview.

Recommended Operating Mode - "Power On Call" (Factory Preset).

Recommended Programming A)

To power up the PC and have it answer with one call, set The Power Stone's "Rings To Trip" to 3 rings or more. The caller should continue to ring the PC/modem until it answers. (Factory Preset)



B) If you want to power up the PC but need "boot-up" time before an internal modem will answer, set "Rings To Trip" at 2 rings or less. Call in and let the phone ring once or twice, then hang up (no charge if it's long distance). The Power Stone will supply power to the PC for 2 minutes. Call back within 2 minutes to a receptive PC.

Helpful Tip - If you are using an answering machine on the same phone line as your PC, choose B) of recommended programming. Program your answering machine to answer at 4 rings. Set your modem to answer at 3 rings. When you power up your PC/modem with 2 rings or less and hang up, nothing will answer the phone line. But the next time you call in (within the two minute period) the modem will grab the call before the answering machine.

2) If You Want To Automatically Reboot A PC (But Not On Every Inbound Call)..... Installation - Either Installation 1 or 2 is suitable for this application (Refer to Installation Overview, page 20, 21).

Recommended Operating Mode - "Reboot" **Recommended Programming** - "Reboot"

Operating mode supplies power to your PC (that is turned on) until you call in to interrupt power. The recommended "Rings To Trip" setting for this application is 2 rings or less. Call in and let the phone ring twice, then hang up (no charge if it's long distance). The Power Stone will interrupt power to the PC for 15 seconds, then resupply power.



Helpful Tip : This application really doesn't work well when you include an answering machine on the same phone line as the PC. The problem is not with The Power Stone. The problem is with the fact that the PC is powered up all the time and the modem would probably grab the line before your answering machine does. We refer you to the previous application to overcome this problem.

3) If You Want To Power Up A PC Automatically (Using the “Distinctive Ring” Service)..... Installation - Refer to **Installation Number 1** on page 20 of the Installation Overview.

Recommended Operating Mode - “Power On Call” (Factory Preset).

Additional Requirement - Subscribe to the “Distinctive Ring” service and receive an additional phone number from your local telephone company. See page 9 for “Distinctive Ring” service info.

Recommended Programming A) Program “**Distinctive Ring Cadence Detection**” feature to detect the inbound call ring pattern of your “DR” phone number. The additional phone number should ring a “two ring” or “double burst” pattern, so program Register 03 with the number 2 (for double ring detection).



B) To give your PC the ability to power up automatically and have it answer with one call, set “**Rings To Trip**” at 3 rings or more (Factory Preset). The caller should continue to ring the PC until it answers.

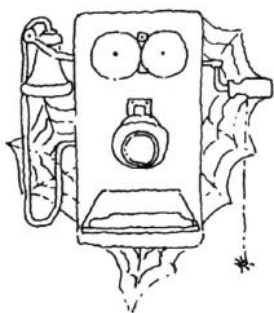
C) If you want to power up the PC but need “boot-up” time before the modem will answer, set “Rings To Trip” at 2 rings or less. Call in and let the phone ring twice, then hang up (no charge if it’s long distance). The Power Stone will supply power to the PC for 2 minutes. Call back within 2 minutes to a receptive PC.

Helpful Tip - Using a “Distinctive Ring” number as the only means to “trip” The Power Stone’s operation is a great way to power up your PC. Just call your “DR” phone number and The Power Stone will do its thing. If you are using an answering machine on the same phone line as your PC, ignore B) and utilize options A) and C) of recommended programming. Some answering machines, regardless of the ring pattern, will try and answer all inbound calls. Here’s how to get around the answering machine. Program your answering machine to answer at 4 rings. Set your modem to answer at 3 rings. When you power up your PC/internal modem with 2 distinctive rings or less [options A) and C)] and hang up, nothing will answer the phone line. But the next time you call in (within the two minute period the modem will grab the call before the answering machine.

4) If You Want To Manually Control The Power Stone From A Remote Location..... Installation - Either Installation 1 or 2 can be suitable for this application (Refer to **Installation Overview**, page 20, 21). If your application does require that the equipment you are controlling power to be connected to a phone line (you want to “talk” to it after you turn it on), use Installation Number 1.

Recommended Operating Modes - Use “Passive Off” mode if you want equipment to be powered “off” until you call in to The Power Stone and manually turn it on. Use “Passive On” mode if you want equipment powered on until you call in to The Power Stone and manually turn it off.

Recommended Programming - A) “Rings To Trip” feature (regardless of setting) does not function when either passive mode is programmed- so don’t worry about programming Rings To Trip”!



REMEMBER....
USE A "TOUCH-
TONE" PHONE!

B) Before you can access The Power Stone's Manual Operating mode with your security code, something must first answer the phone line at the site. This can be accomplished with an answering machine connected to the phone line. If you don't own an answering machine, you can call The Power Stone, let it ring **15** times and it will automatically answer, giving you an audible power status "beep" (see "**Audio/Answer Number of Rings**" feature, page 11). At that time you have 10 seconds to transmit your touchtone security code. If you don't want to wait 15 rings, program register 04, "Audio/Answer No. of Rings" to 3 rings. Now The Power Stone will automatically answer in 3 rings, give a status beep and you have 10 seconds to enter your touchtone security code on the telephone key pad.

To Enter Manual Operating Mode And Turn Power ON To Your Equipment:

- 1) The Power Stone or answering machine answers your inbound call.
- 2) You enter # # 8 8 on the touchtone phone - The Power Stone "bips" 3 times (Proceed).
- 3) At that time, you enter "011" (01 for "Operating Modes" Register 1 and 1 for "Passive On" mode.) The Power Stone "bee-bips" once (Info Accepted), then "bips" 3 times (Proceed).
- 4) We recommend that, while in Manual Operating mode, you "readback" any change to an operating mode AND the status of power supplied to your connected equipment before recording your programming and exiting manual operating mode. This is done by pressing *01 for "Operating Modes" Register 1 and *07 for "Power Status" Register 7.
- 5) You press "80" on your touchtone key pad (Execute Programming). The Power Stone "bee-bips" twice. You hang up. Your equipment is now powered up.

To Enter Manual Operating **Mode** And Turn Power OFF To Your Equipment:

- 1) The Power Stone or answering machine answers your inbound call.
- 2) You enter # # 8 8 on the touchtone phone - The Power Stone "bips" 3 times (Proceed).
- 3) At that time, you enter "010" (01 for "Operating Modes" Register 1 and 0 for "Passive Off" mode.) The Power Stone "bee-bips" once (Info Accepted), then "bips" 3 times (Proceed).
- 4) We recommend that, while in Manual Operating mode, you "readback" any change to an operating mode AND the status of power supplied to your connected equipment before recording your programming and exiting manual operating mode. This is done by pressing *01 for "Operating Modes" Register 1 and *07 for "Power Status" Register 7.
- 5) You press "80" on your touchtone key pad. The Power Stone "bee-bips" twice. You hang up. Your equipment is now powered off.

Helpful Tips: Included with The Power Stone is a "**Remote Programming/Readback Card**" which is a handy reference when you want to control The Power Stone from a remote location. It eliminates the need to memorize register and feature numbers, gives you the command for "Audible Readback" of each register/feature and explains the meaning and numerical value of The Power Stone's "readback" "beeps". See [page 22](#) for more info. Please put it in your purse or wallet and.....don't leave home without it!

5) If You Want To Call In From A Remote location And “Readback” Programming And Power Status..... Installation - Either Installation 1 or 2 is suitable for this application (Refer to [Install. Overview](#), page 20, 21).

To Enter Manual Operating Mode And Readback Programming And Power Status To Your Equipment:

- 1) The Power Stone or answering machine answers your inbound call.
- 2) You enter # # 8 8 on the touchtone phone - The Power Stone “bips” 3 times (Proceed).
- 3) At that time, you enter “*” with the appropriate register number.
- 4) There is a short pause followed by the register readback in the form of bips and/or beeps.
- 5) There is a short pause after the readback, then The Power Stone “bee-bips” once (Info Accepted) followed by 3 “bips” (Proceed).
- 6) You may readback another register at this time, or
- 7) You press “80” on your touchtone key pad (saves programming). The Power Stone “bee-bips” twice (exit). You hang up.

Helpful Tip: You can also change programming at any time before dialing "80" to exit Manual Operating mode. Dialing "80" saves programming to memory and exits Manual Operating mode.

4

Automatic Operation

4.1 “Rings To Trip” Feature

The Power Stone will perform any of three selected power operations (Automatic Operating Modes) automatically when detecting ring voltage (as a number of rings) over the phone line from an inbound call. The ring settings to “trip” your selected Automatic Operating Mode are available in two options:

- 1) **2 Or Less Rings** - If The Power Stone detects two rings or less from an inbound call, it will automatically perform the operating mode you have programmed. In this option, if The Power Stone detects 3 or more rings, it will not be “tripped”; therefore no automatic operation will occur.
- 2) **3 Rings or More**- Upon detecting a minimum of 3 rings on an inbound call, The Power Stone will perform its automatic operating mode. If it detects less than 3 rings (2 or less rings, option 1), it will not be “tripped” and no automatic operation will occur.

Good Stuff To Know... Remember that the “Rings To Trip” feature option (“2 or less” / “3 or more” rings) will only “trip” an automatic operating mode. In other words, it will only work when programmed in conjunction with one of the three selectable automatic operating modes (see [page 9](#) for an in-depth explanation). “Passive” Operating Modes (Passive On and Passive Off ignore, or are passive to, all inbound call rings and control power without interference from inbound calls. See [page 10](#) for info about **“Passive” Operating Modes**).

The "Rings To Trip" feature does not cause The Power Stone to answer a call, nor does it require a telephone device to go off-hook (answer the phone line) to perform its function. This means that you do not incur an extra long distance phone charge when calling in to "trip" The Power Stone from a remote location. All you have to do is "ring" The Power Stone with the appropriate number of rings and hang up the phone. Neat, huh?

"Curveball From The Phone Company" - The number of rings you hear in the handset of your remote site telephone will probably not correspond exactly to the number of rings The Power Stone receives. The discrepancy usually lies at the phone company. If you have programmed the "Rings To Trip" feature at "2 or less", please "ring" The Power Stone two full rings before, hanging up. By doing that you can be sure The Power Stone will manage to hear at least one of those rings and trip your selected automatic operating mode. We do advise that you experiment with "ring" settings and how your local phone company sends its rings to your phone.

4.2 "Distinctive Ring" Cadence Detection Feature

Not only does The Power Stone give you a choice of two settings for the number of rings to "trip" your selected automatic operating mode, but you can also select the type of "ring cadence" The Power Stone will react to. Register 03 contains the three selectable "ring cadence" detect settings.

About The "Distinctive Ring" Service

Your local phone company offers a service called "Distinctive Ringing" which allows you to have multiple phone numbers on a single phone line. Each phone number, when dialed, will ring your phone with a specific "Distinctive" ring cadence. Your original phone number rings with a single "long" ring cadence, your second phone number would ring with a two short ring burst and a third number rings a 3 time burst (a combination of one long and two short bursts).



How The Power Stone Works With "DR" Service

The Power Stone can be programmed to detect any one of the three standard "Distinctive Ring" cadences transmitted by your local phone company. The ring cadences you have selected will be the only cadence The Power Stone will recognize. All other ring cadences will be ignored. In addition, regardless of the ring cadences setting, the appropriate number of inbound rings will have to be detected before The Power Stone will perform automatically.

4.3 Automatic Operating Modes

The Power Stone can be programmed to automatically control electrical power to your chosen equipment three different ways. Of course, your choice of operating mode is dependent on your application, but for now we'll keep it clean and talk about the different ways power can be manipulated automatically. Automatic operating modes, along with passive operating modes are selectable and reside in Register 01.

“Power On Call”- This one’s pretty cool for PC fax/modem and fax machine users who don’t want to leave Office equipment powered-up 24 hours a day! In this operating mode, the Power Stone (when “tripped” by the appropriate number of rings, of course) will supply electrical power to equipment plugged into its 120 Volt receptacle for the duration of that phone call. When either party hangs up, i.e. the call is over, The Power Stone will power down that equipment within two minutes. Any incoming call detected during the two minute interval (after the previous caller has hung up) will continue the power up process for the duration of that call, plus an additional two minutes.

“**Reboot**”- You may want to temporarily interrupt power to selected equipment such as a “locked-up” PC or modem. In “Automatic Reboot” mode, electrical power is constantly supplied to equipment plugged into The Power Stone. When the appropriate number of rings is detected from an inbound call, The Power Stone will shut off supplied power for a minimum of 15 seconds. We say a minimum of 15 seconds, because The Power Stone begins the 15 second timing period after the caller stops ringing the phone. After the timed 15 second period, The Power Stone will restore power to your connected equipment.

“**Toggle**”- In this operating mode, The Power Stone will “toggle” or switch the power supplied to your equipment when each subsequent inbound call is detected. For instance, you have your living room light plugged into The Power Stone. If the lamp is currently off, an incoming call will toggle the lamp on. The next call will toggle it off again.

5

Passive Operation

5.1 Passive Operating Modes

“**Passive On**” - When programmed in the “Passive On” mode, The Power Stone will supply uninterrupted power to connected equipment, regardless of inbound call activity. Basically, “Passive On” mode ignores all inbound rings, regardless of the “Rings To Trip” feature setting. This mode is used when you do not want an inbound call to interrupt your power to a connected device.

“**Passive Off**”- When in this operating mode, The Power Stone does exactly what the feature name implies-it NEVER supplies power to equipment regardless of inbound call activity. “Always Off” ignores all inbound rings and will not supply power to equipment connected to The Power Stone.

5.2 Helpful Tips

Yes, we know what you are thinking..... But there is a real world use for these two operating modes! The reason for providing you with these two “passive” modes is this - SECURITY. If your PC/modem is connected to the phone line through The Power Stone, outside access by callers is denied when The Power Stone is in the “Passive Off” operating mode. The PC/modem won’t answer the line because the PC isn’t receiving power. Only you can call in and turn your PC on.

Just call in and when a voice telephone device goes off-hook, like your answering machine (or The

Power Stone goes off-hook after 15 rings), enter your security access code. Now you can change "Passive Off" mode to "Passive On" by dialing 011. Enter 80 to write your change to memory and hang-up. Of course in between entering your SAC, changing operating modes and dialing 80 to program/exit, The Power Stone will be prompting you with "Audible Readback" response beeps. To get a better understanding how to perform these functions, refer to example number four in the section titled "Down N' Dirty Application Info For The Terminally Impatient".

What about the "Passive On" mode? You may require that connected equipment be supplied power until you call in and direct The Power Stone to shut power down. Connected equipment, in this example and application, can be a bulletin board" PC, LAN or, for you "gadget heads on the cutting edge"- home lighting, stereo equipment, even a crock pot that is cooking your 3 lb. rump roast! Get creative! Again, refer to example number four in the section titled "Down N' Dirty Application Info For The Terminally Impatient".

6 Programmable Features

Audio/Answer Number of Rings - The Power Stone has a feature that allows it to automatically answer the phone line after a selectable number of rings and audibly readback the status of power supplied to your equipment. The factory preset number of rings for this feature is 15. The other selectable option is 3 rings. After answering and transmitting the status of power supplied to connected equipment to a caller, The Power Stone will remain "off-hook" for 10 seconds before hanging up the call. This allows you to call in and manually control The Power Stone from a remote location without having an auto-answer device like an answering machine at The Power Stone's location. Remember that to get into Manual Operating mode, something at The Power Stone's location must go off-hook and answer the line. If you don't have an answering machine, just wait 15 rings. If you're in a hurry, program it to answer after 3 rings. Register 04 controls this feature.

Customized Security Code Feature - To get into Manual Operating mode and control power from a remote location, you must transmit your Security Access Code through the phone line (via a touchtone phone) to The Power Stone. The standard security code (factory preset at # # 8 8) can be customized by the addition of 2 characters at the end of the code string. The digits 0 through 9, * (Star) and # (pound) can be programmed as additional characters to prevent callers from turning on and "hacking" into your voice/data equipment or inadvertently changing the status of power supplied to equipment. Register 06 controls this feature.

"Override Button" Override - Sound weird? Well, it's not. This feature is beneficial to the terminally forgetful. On the face of The Power Stone is an "OVERRIDE" button, which when pushed, overrides all operating modes and supplies an uninterruptable flow of power to your connected equipment (let's say - a PC and you need to do some work). For some unknown reason, you fly off to parts unknown the next day forgetting to take The Power Stone out of override mode. You call in to get messages off your answering machine and discover your PC/modem is powered on and your internal modem is screaming at everyone who is calling. Just get into Manual Operating mode, access the "OVERRIDE Button" Override register and program The Power Stone back to normal operation. In the event of a power outage, both "override's", the button and the register, revert to factory preset which is "Normal Operation" or override off. Register 05 controls this feature.

Operating Modes - All operating modes, passive and automatic are contained in Register 0 1. See sections titled “Automatic Operation” and “Passive Operation” for feature explanation.

“Rings To Trip” Automatic Operation - Register 02 controls this feature setting. Refer to “Rings To Trip Feature” in section titled “Automatic Operation”.

“Distinctive Ring” Cadence Detection - Register 03 controls the setting for this programmable feature. For full feature explanation, refer to “Distinctive Ring Cadence Detection” in section titled “Automatic Operation”.

7 Standard Nonprogrammable Features

7.1 The Power Stone contains two “read only” programming registers.

- The “Power Supplied” Status Register, Register 07, will readback the current status of power supplied to connected equipment. Two low beeps tell you The Power Stone is not supplying power to your equipment. One beep tells you power is supplied to the equipment.

- The “Power Failure” Status Register, Register 08, will tell you if a power failure has occurred since the last reading of this register. Two low beeps tell you power has not been interrupted to The Power Stone since your last inquiry. One beep indicates that a power outage has occurred since your last inquiry.

7.2 Audible Readback Of All Programming.

Upon accessing The Power Stone’s Manual Operating mode, you can direct The Power Stone to readback any programming and feature settings. (See page 15 for a more in-depth explanation).

7.3 Manual OVERRIDE Button

Pressing this button will direct The Power Stone to supply a constant, uninterrupted supply of electricity to your connected equipment. The Power/Status LED will glow brightly, with no flashing. All inbound calls will be ignored by The Power Stone. Pressing the “OVERRIDE” button again will return The Power Stone to its previous programmed operating mode. In the event of a power outage, both “override’s”, the button and Register 05, revert to factory preset which is “Normal Operation” or OVERRIDE off.



7.4 Telephone OVERRIDE Command.

If The Power Stone is plugged into a power strip or wall outlet and you can't get to it to press the OVERRIDE button, there is a touchtone command that will perform the same function as pressing the OVERRIDE button. To do this you must have a touchtone phone connected to the DEVICE port. Press the * (star) symbol on your touchtone phone and The Power Stone will go into OVERRIDE. To get The Power Stone out of OVERRIDE and back to its previous operating mode, press the "Star" character twice, "**". "Telephone OVERRIDE Command" will only work when the Power Stone is not in Manual Operating mode. Note: If you are in the programming mode, you cannot override by dialing "**". In the event of a power outage, both "override's", the button and Register 05, revert to factory preset which is "Normal Operation" or OVERRIDE off.

7.5 Status/Power LED.

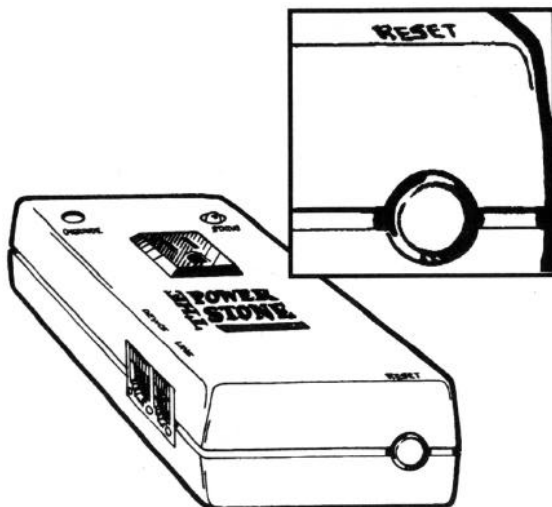
The Status/Power LED signals the status of power supplied to your equipment. If the light is blinking in a certain sequence, here's what's going on:

- 1) OFF** - There is no power to The Power Stone. The 120 Volt wall outlet is "dead" due to a power outage on that particular circuit or perhaps to your whole house.
- 2) OFF/Blinking On Briefly Once A Second** - The Power Stone is functional and has not been activated. It is not supplying power to your equipment.
- 3) ON/Winking Off Once A Second** - The Power Stone has been activated and is supplying power to your connected equipment.
- 4) ON/Solid** - The Power Stone is in "Override" mode and is supplying power to your equipment.
- 5) ON/Blinking Rapidly** - The Power Stone is in Manual Operating mode and ready for programming or readback.



7.6 Circuit "RESET" Button

At the bottom of The Power Stone is a 15 Amp resettable breaker button. This button resets The Power Stone in the event that you overload its circuit and trip the breaker. Please pay special attention that you do not plug in multiple devices that could cause an overload to The Power Stone. If The Power Stone circuit breaker continues to blow, investigate the load requirements of each device that you have connected to The Power Stone's 120 Volt/15 Amp receptacle.



8 Programming & Quick Reference Guide

REG	REGISTER TITLE	FEATURE DESCRIPTIONS W/ CONTROL NUMBERS	YOUR SETTING
REG 01	OPERATING MODES ~	<p>0 - "PASSIVE OFF" - No power is supplied to equipment regardless of ring #.</p> <p>1 - "PASSIVE ON" - Power is supplied to equipment regardless of # of rings</p> <p>2 - "POWER ON CALL" - Power supplied when inbound call rings are detected. Power turned off at the end of a call (within 2 minutes).</p> <p>3 - "REBOOT" - When ring # is detected, power is stopped for 15 seconds.</p> <p>4 - "TOGGLE" - Power is switched (on or off) with each subsequent call.</p>	
REG 02	RINGS TO "TRIP" AUTOMATIC OPERATION *	<p>2 - "2 OR LESS RINGS" - When two or less rings are detected The Power Stone will perform operating modes 2 thru 4.3 rings or more - will not react.</p> <p>3 - "3 OR MORE RINGS" - When 3 or more rings are detected, The Power Stone will perform operating modes 2 thru 4.2 or less rings - will not react.</p>	
REG 03	DISTINCTIVE RING CADENCE SENSITIVITY *	<p>1 - Single Ring Cadence Sensitive to only a single ring cadence</p> <p>2 - Double Ring Cadence Sensitive to 'double ring' transmitted by phone Co.</p> <p>3 - Triple Ring Cadence Sensitive to 'triple ring' transmitted by phone Co.</p>	
REG 04	AUDIO/ANSWER NO. OF RINGS FEATURE *	<p>0 - AUDIO/ANSWER 15 Rings- The Power Stone answers at 15 rings and transmits power status tones (same as Reg. 07). Will hold the line for 10 sec.</p> <p>1 - AUDIO/ANSWER 3 Rings- The Power Stone answers at three rings and transmits power status tones (same as Reg. 07). Will hold the line for 10 sec.</p>	
REG 05	"OVERRIDE" BUTTON OVERRIDE *	<p>0 - "Normal Operation" The Power Stone will operate in the programmed operating mode when the proper # of rings are detected.</p> <p>1 - "Override"- Operating modes are overridden and power is supplied to equipment constantly regardless of Register 2 setting.</p>	
REG 06	PROGRAMMABLE SECURITY FEATURE ~	<p>00 - No Security Access Code- To enter manual control, all you dial is ##88</p> <p>-- ? - To add 2 characters to the end of the security access code string.</p>	
REG 07	POWER STATUS (READ ONLY - NON PROGRAMMABLE)	<p>0 - Audible 2 low Beeps tells you no power is supplied to your equipment.</p> <p>1 - Audible 1 Bip tells you power is supplied to your equipment.</p>	
REG 08	POWER FAILURE STATUS (READ ONLY - NON PROGRAMMABLE)	<p>0 - Audible 2 low Beeps tells you there has been no power failure since the last reading of this register.</p> <p>1 - Audible 1 Bip tells you there has been a power failure since the last reading of the register.</p>	

* DENOTES FACTORY PRESETS

Programming Commands

"##88"- The factory preset code for access to Manual Operating Mode and programming.

Command "60" - Set registers 01, 02,03, 04,05, and 06 to factory presets.

Command "80" - Save current contents of registers to memory and exit manual control.

Command "90" - Exit manual control without saving changes to register. All registers will be restored with the values last saved in memory.

NOTE: Registers 07 and 08 are nonprogrammable and when accessed will audibly "read-out" status of power and immediate history of power failure at the site. Register 05, "Override" always reverts to the preset when a power outage occurs.

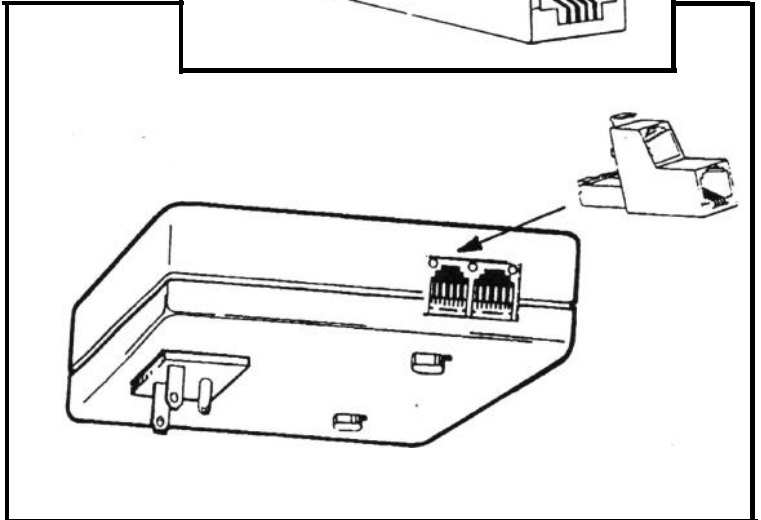
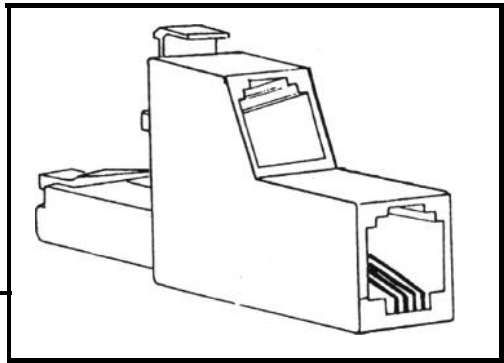
9 MANUAL OPERATION/PROGRAMMING OF THE POWER STONE

This is the greatest asset of The Power Stone! You can call in to your home or Office from a remote location and control the power to your selected equipment or change the automatic operation at the site of The Power Stone - just by pressing characters on your telephone key pad! You can also check the status of each programmable setting and receive information about power status to a device.

"Before You Can Access The Power Stone"- If you wish to access The Power Stone's Manual Control mode, from a remote location OR right on site, some basic requirements need to be satisfied.

For "On Site" Access-

A TOUCHTONE telephone must be connected to the "DEVICE" port of The Power Stone. You may, if you have a modem plugged into the "DEVICE" port, connect your telephone to the "Phone" port on the back of the modem. If your modem does not have a "Phone" port on the back panel and you need to have a phone and modem connected to the Power Stone's "DEVICE" port, use a telephone splitter/adapter. We recommend a splitter/adapter similar or equal to the AT&T adapter, part no. 267A2, because of the "over/under" splitter configuration. This type of splitter/adapter, when plugged into The Power Stone's "DEVICE" port, will not interfere with the "LINE" port directly beside it.



Access When Calling From A Remote location- If you are calling from a remote location, you must be placing the call from a touchtone phone and the call you place to the location of The Power Stone must be "answered" by either:

A) an auto-answer device (like an answering machine, modem, fax machine), or

B) a person, or

C) if A) or B) is not available, you can simply let the phone line ring 15 times and The Power Stone will go “off-hook” automatically. (The Power Stone can be programmed to answer the line after 3 rings - see [page 11, Audio/Answer feature.](#))

Operations Note: The Power Stone, upon “answering” the phone line (option “C”), will transmit two different types of audible tones signalling the status of power to your selected equipment AND HOLD THE LINE FOR 10 SECONDS. See the [Programmable Features Section - “Audio/Answer Feature”](#). Two low beeps indicate The Power Stone is receiving power from the wall socket but is not sending power to your selected equipment. One “bip” signals that electrical power is being supplied to equipment plugged into The Power Stone. If The Power Stone does not answer and transmit tones after the 15th ring- you have a power outage at The Power Stone’s location!

9.1 The “HOW TO” Of Programming The Power Stone

Now that everything is hooked up and in place, the fun begins! You should read through this section once or twice to familiarize yourself with the process. You may also want to refer back to the [Programming and Quick Reference Guide](#) to pencil in selected programming values for each feature you wish to control.

The first thing you should do is place a local call to your best buddy. Ask him or her to lay their phone receiver down for a moment... but don’t hang it up. This will keep you from incurring any long distance phone charges or freaking out the local phone company. After placing a call to your friend, wait at least five seconds before proceeding.

To get into Manual Operating Mode - DIAL “# # 8 8” on your telephone key pad.

The “STATUS” light will begin blinking rapidly. Immediately listen for three high-pitched bips in your handset. **Three “bip” tones** indicate that you have entered the programming mode and may “**PROCEED**”. At this time, you can enter a register number (01 to 06), followed by the value you want to program into the register. If the proper register number and programming value(s) are entered, The Power Stone will answer with a high-pitched tone immediately followed by a mid-pitched tone. It kind of sounds like “bee-bip”. This means “OK”. If the numbers you enter are invalid (either for the register number or program value), The Power Stone will respond with a low-pitched “ERROR” tone. This tone might remind you of the sound you hear when you “blow it” on your favorite video game. In either case, three “bips” will immediately follow telling you to “PROCEED”. At this time, you may either access and program a new register or correct the previous attempt by entering new numbers.

Summary of the types of tunes you will hear.

“**PROCEED**” - Three high-pitched tones in rapid succession tell you The Power Stone is ready to program a register or receive more commands in the form of touchtones. “Bip Bip Bip”.

“**OK**” - (Or Okay for you purists) - One high-pitched tone immediately followed by a mid-pitched tone means that the numbers you have entered are acceptable and within range for the register number and value.

“ERROR” - A single low-pitched tone indicates that the register number, feature value or program commands (we talk about those next) that you have entered are invalid. After receiving an “ERROR” tone, you should wait two seconds before proceeding. Common errors made when programming are:

- Entering an incomplete register number, let's say it's “Operating Modes”, and you enter only part of the number. The register number for “Operating Modes” is “01”. If you enter “1”, The Power Stone will give you an “ERROR” tone.
- Entering a feature value that is outside of the program range: As an example, we will use “Operating Modes” again. You are only allowed to select and program modes “0”, “1”, “2”, “3”, or “4”. If you enter the number “5” (there is no fifth operating mode) after entering the correct register number of “01”, The Power Stone will give you an “ERROR” tone.
- Waiting more than two seconds between entering numbers/characters. Let's say you are in Manual Operating mode and you are programming a register. You enter the register number and then take too long to enter the appropriate feature number. You will receive an “ERROR” tone.

Programming Commands-

Save To Memory/Exit- After programming all feature values that you wish to change, you will need to save the register settings to permanent nonvolatile memory and exit the manual operating mode. This can be done by entering “80”. At that time, you will hear the “OK” tone twice. The “STATUS” LED will indicate the appropriate operating mode sequence. Even if there is a power loss to The Power Stone, all programming is saved.

No Save/Exit- If you wish to “dump” any programming you've done and exit the manual operating mode, dial “90”. At that time, you will only hear the “OK” tone once. The Power Stone will revert to the previous programmed operating mode and features.

Set Registers To Factory Preset- This command sets all program registers to the factory presets (refer to the **Programming and Quick Reference Guide**). When you dial “60”, all registers automatically revert to factory preset. The Power Stone will answer with an “OK” tone followed immediately by a “PROCEED” tone. This command does not exit manual operating mode.

9.2 An Overview of Programming

This is “the big picture” of how to program The Power Stone. Being the good consumer you are, you've read the manual thoroughly, penciling in the feature changes on your Programming and Quick Reference Guide. You call your mom (don't if it's long distance, call somebody local) and ask her to lay the phone down for a moment while you program this neat new Call-Activated Power Controller you've just purchased. She says OK. **Here's What Happens** - You've decided to “customize” your Security Access Code, program the **“Rings To Trip”** feature to 2 or less and program The Power Stone for the “Reboot” automatic operating mode.

1) Because five seconds have more than elapsed since you initiated the call to your mom, you can enter the manual operating mode. You dial “##88” on your touchtone phone connected to the DEVICE” port.

The Power Stone “Audible Readback” Response: Answers with a “PROCEED” tone. The “STATUS” light is blinking very rapidly. You have 30 seconds to begin the next command.

2) You customize your SAC from “##88” (factory preset) to “##8899” by dialing 0699. “06” selects Register 6 (Customized Security Code) and “99” is the additional numbers that make it

custom.

The Power Stone “Audible Readback” Response: Answers with an “OK” tone, then a “PROCEED” tone. You have **30** seconds to begin the next command.

3) You change the “Rings To Trip” feature to “2 or less” (factory preset “3 or more”) by dialing 022. "02" selects Register 2 and “2” means “2 or less rings”.

The Power Stone “Audible Readback” Response: Answers with an “OK” tone, then a “PROCEED” tone. You have 30 seconds to begin the next command.

4) You change the “Operating Mode” from “Power On Call” (the factory preset) to “Reboot” by dialing 013. "01" selects Register 1 and “3” selects “Reboot” mode.

The Power Stone “Audible Readback” Response: Answers with an “OK” tone, then a “PROCEED” tone. You have 30 seconds to begin the next command.

5) You have finished programming the desired feature changes and wish to save them to memory and exit Manual Operating mode. You dial “80”.

The Power Stone “Audible Readback” Response: Answers with the “OK” tone twice. The LED returns to normal blinking. Check and see if your mom is on the other end of the line. If so, talk to her. You don’t call her enough. If not, hang up the phone.

NOTE: If The Power Stone does not receive a command within 30 seconds, it will give you an “OK” tone and exit programming mode without saving any changes. Basically, it is acting as if you have dialed “90” (See page 17, the section titled **Programming Commands**).

The Power Stone requires 10 seconds after either party goes on-hook (hangs up) to reset itself. Why is this important? If you hang up on The Power Stone and immediately call back within 10 seconds, chances are you will get a busy signal.

9.3 AUDIBLE “READBACK” OF PROGRAMMING-BEEP BEEP BEEP-BOOOOOOP!

There is a manual control command that allows The Power Stone to audibly “readback” (via the phone) the value of any register. This feature is handy when you’re calling long distance to your home and you have forgotten what you have just programmed and want a quick readback when checking to see if The Power Stone is properly programmed before leaving your home or office. There are two types of tones that The Power Stone will transmit through your receiver on the audible “read back”-

NUMBEFUSYMBOL	AUDIBLE TONES
1	“BIP”
2	“BIP BIP”
3	“BIP BIP BIP”
4	“BIP BIP BIP BIP”
5	“BEEP”
6	“BEEP BIP”
7	“BEEP BIP BIP”
8	“BEEP BIP BIP BIP”
9	“BEEP BIP BIP BIP BIP”
0	“BEEP BEEP”
*	“BEEP BEEP BIP”
#	“BEEP BEEP BIP BIP”

- A clipped, high-pitched “bip” which has a numerical value of one.
- A long, low-pitched “beep” which has the numerical value of five.

The chart to the right describes the audible tones which coincide with each number or symbol in a register.

Executing Audible “Read Back” With The Power Stone:

First you must enter the Manual Operating mode by dialing “# # 8 8” (or your customized code). Then press “*” and the register number you wish to read back.

An Example:

- First, you press “# # 8 8” on your touchtone phone to enter the Manual Operating mode.
- The Power Stone responds with a “PROCEED” tone.
- You press “*01” (telling The Power Stone to audibly read back the value in Register 1).
- The Power Stone transmits 2 “Bips” signifying the value “2” (“Power On Call”).
- After a short pause, The Power Stone will transmit an “OK” tone followed by a “PROCEED” tone.
- At that time, you may either “read back” or program any register.

For Registers Containing More Than A Single Value

Register 6 can contain and does readback more than a single value. Here’s a short example of what a “readback” would sound like where more than 2 digits or symbols are programmed in the register.

- You first enter Manual Operating mode (# # 8 8 or your customized code).
- Press “*06” to “read back” Register 6.
- The Power Stone transmits “ Beep Beep (pause) Beep Beep “
(Because the register is not programmed with a custom Security Access Code, it contains the numerical value, zero-zero. This translates into two sets of two low-pitched beeps.)
- The Power Stone immediately transmits the “OK” and “Proceed” tones.

Helpful Tips If You’re Having Trouble!

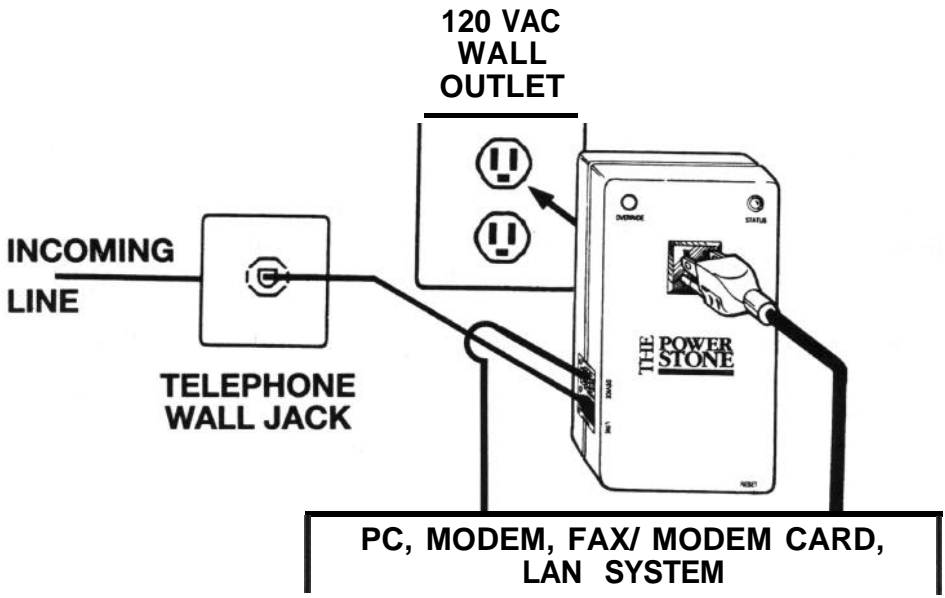
After entering # # 8 8 to get into Manual Operating mode, you have 30 seconds to enter a complete readback command. After 30 seconds (if no readback information is entered) The Power Stone will transmit an “Okay” tone (Bee-Bip) and exit programming mode. The Power Stone acts as if you have dialed “90”.

Note: You will receive an “Error” tone when entering “*” (star) and an incorrect or partial register number on audible “read back”. Never fear - try again!

How you install The Power Stone is totally dependent on the type of equipment you wish to control power to and if this equipment needs access to the phone line. Below are two general installation applications that should give you a good idea of how to get optimal performance when using The Power Stone.

1) Controlling Power To Data Equipment That Requires Access To The Phone Line -

- a) The Power Stone is plugged into a 120 Volt wall outlet.
- b) The Power Stone is connected to the telephone line via the supplied line cord. One end is plugged into the telephone wall jack and the other end is plugged into the port labeled "LINE" .



- c) The data equipment you wish to control power to is connected to the 120 Volt receptacle on the face of The Power Stone.
- d) The data equipment (PC, modem/fax card, fax machine, etc.) is connected to the phone line (through The Power Stone) by plugging the RJ-11 line cord from your equipment into the port labeled "DEVICE".

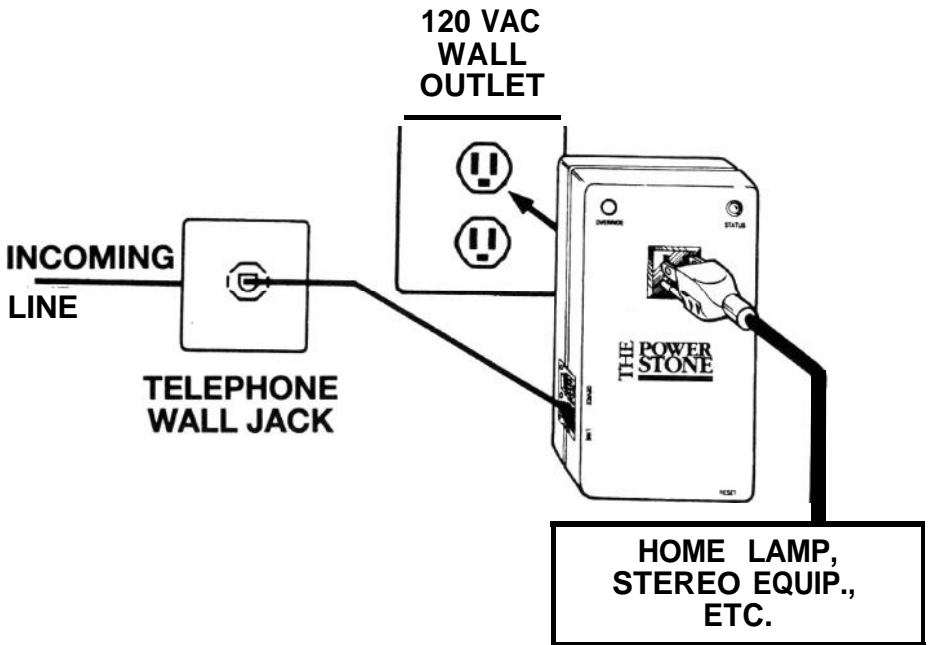
Helpful Tips:

- This is the required installation when using the "Power On Call" Automatic Operating mode. All auto-answer equipment (fax or modem devices) is required to be connected through The Power Stone to the phone line for "Power On Call" to work properly.
- Other operating modes will function in this installation, such as "Reboot", "Passive On" or "Passive Off" and you can also access Manual Operating mode from a remote location.

2) Controlling Power To Equipment That Does Not Require A Phone Line

The Power Stone is not a one-dimensional product. It can control power to virtually any equipment that requires up to 15 Amps at 120 Volts. You can use The Power Stone to control power to a lamp, stereo equipment, a crock pot..... any device you can think of that meets the load specifications of The Power Stone.

- a) The Power Stone is plugged into a 120 Volt wall outlet.
- b) The Power Stone is connected to the telephone line via the supplied line cord. One end is plugged into the telephone wall jack and the other end is plugged into the port labeled "LINE".
- c) The device you wish to control power to is connected to the 120 Volt receptacle on the face of The Power Stone.
- d) The equipment (lamp, stereo equipment, etc.,) does not require connection to the phone line.



Helpful Tips:

- In this installation, the "Power On Call" Automatic Operating mode will not perform as touted. Since there is no auto-answer equipment (fax or modem devices) in this application, "Power On Call", as an operating mode, should be avoided.
- All other operating modes are applicable and will function in this installation, such as "Reboot", "Toggle", "Passive On" or "Passive Off" and you can also access Manual Operating mode from a remote location. Remember that to access Manual Operating mode, a telephony device (answering machine/phone) will need to go off-hook before you can transmit your security code over the phone line from a remote location. If you do not have a device that will go off-hook automatically, you can A) reprogram The Power Stone's Audio/Answer feature to answer at 3 rings, or B) simply ring The Power Stone 15 times (factory preset).

11 Remote Programming/Readback Card

How To Read and Use Your "Remote Programming/Readback Card"


A "Remote Programming/Readback Card" has been included with The Power Stone to help guide you, from a remote location, through access, programming and "readback" of features/power status. Here are some views of the card with less-condensed explanations of what you are seeing. Relax. It's fairly easy to understand. Again, we urge you to stick this card in your wallet, purse or brief case. Maybe you can keep it next to your long distance calling card - just a thought.

Your Security Access Code, when dialed, puts The Power Stone in Manual Operating Mode. You can "customize" the SAC with two additional characters (Register 06). Remember to record your customized code on this card!

If you wish to get a readback on the setting of any register, press "Star", followed by the appropriate Register No. The Power Stone will then readback the programmed setting with audible Beeps and/or Bips.

To the right of each feature setting in a Register is the corresponding audible Beep/Bip readback for that setting. If you readback Register 01 and the programmed setting is "Power On Call", The Power Stone will audibly transmit "Bip Bip" through the phone line to you.

The arrow beside a program setting in each Register denotes the factory preset. In other words, this is how The Power Stone is programmed-out of the box or if you hit "60" as an input command.

REMOTE PROGRAMMING/READBACK CARD	
	
My Security Access Code is # # 8 8	
Audible Readback-Enter *, then Register No.	
Register-01 "Operating Modes"	
0) Passive OFF	Beep Beep (Low)
1) Passive ON	Bip
▶ 2) Power On Call	Bip Bip
3) Reboot	Bip Bip Bip
4) Toggle	Bip Bip Bip Bip
Register-02 "Rings To Trip"	
2) 2 or Less Rings	Bip Bip
▶ 3) 3 or More Rings	Bip Bip Bip
Register-03 "Distinctive Ring Cadence"	
▶ 1) Single Ring	Bip
2) Double Ring	Bip Bip
3) Triple Ring	Bip Bip Bip
Register-04 "Audio/Answer No. of Rings"	
▶ 0) Audio/Answer 15 Rings	Beep Beep (Low)
1) Audio/Answer 3 Rings	Bip
Register-05 "Override"	
▶ 0) Normal Operation	Beep Beep (Low)
1) Override Mode	Bip
▶ Denotes 'Factory Preset' (OVER)	

"Response Signals" are different than the readback "Beeps/Bips" of a feature setting. During readback and programming, The Power Stone transmits these signals as a form of "feedback" after you have entered a command. Check page 16 for full blown descriptions.

After programming The Power Stone, Input Commands allow you to record your programmed settings to memory or erase them and start over. Input Commands can be used at any time during programming.

This part of the card describes the audible readback "Beeps/Bips" that correspond to numerals 1 thru 9,0,* and #. 0 equals "10", * equals "11", and # equals 12. So, if a "Bip" means "1" and a "Beep" means "5", a "Beep Bip" (5 + 1) equals six. A "Beep Beep" (5 + 5) equals ten, or "0". Get it? No? See the table on [page 18](#) for the real deal.

Register-06 <u>"Customized Security Code"</u> ► 00) No Code Beep Beep Beep Beep (Low) Code Your
Register-07 <u>"Power Supplied Status"</u> 0) No Power Supplied Beep Beep (Low) 1) Power Supplied Bip THIS REGISTER IS READ ONLY!
Register-06 <u>"Power Failure Status"</u> 0) No Failure/Last Read Beep Beep (Low) 1) Failure/Last Read Bip THIS REGISTER IS READ ONLY!
<u>Input Commands -</u> "60" - Set All Registers to Factory Preset "80" - Write Programs to Memory and Exit '90" - Exit Manual Op Mode w/o Saving
<u>Power Stone "Response" Signals -</u> "Bip/Bip/Bip" - Proceed w/Commands. "Beep-Bip" - Information Accepted. "Bee-Bip, Bee-Bip" - Info Accepted, Exit Mode. Low "Beep" - Error, Bad Input Command.
Numerals 1-4 - Coinciding # of Short Bips. Numeral 5 - 1 Long Beep. Numerals 6-g - 1 Long Beep + Addtl. Short Bips. Numeral 0 - 2 Long Beeps. Symbols *,# - 2 Long Beeps + Addtl. Short Bips.
<small>COPYRIGHT 1995, MULTI-LINK INC. NICHOLASVILLE, KY</small>

This equipment complies with Part 68 of the FCC rules. On the bottom of this equipment is a label that contains, among other information, the FCC Registration Number and Ringer Equivalence Number (REN) for this equipment. You must, upon request, provide this information to your telephone company.

The REN is used to determine the quantity of devices you may connect to your telephone line and still have all of those devices ring when your telephone number is called. In most, but not all areas, the sum of the RENs of all devices connected to one line should not exceed five (5.0). To be certain of the number of devices you may connect to your line, as determined by the REN, you should contact your local telephone company to determine the maximum REN for your calling area.

If your telephone equipment causes harm to the telephone network, the telephone company may discontinue your service temporarily. If possible, they will notify you in advance. But if advance notice isn't practical, you will be notified as soon as possible. You will be informed of your right to file a complaint with the FCC.

Your telephone company may make changes in its facilities, equipment, operations or procedures that could affect the proper functioning of your equipment. If they do, you will be notified in advance to give you an opportunity to maintain uninterrupted telephone **service**.

If you experience trouble with this telephone equipment, please contact your dealer or Multi-Link, Inc. for information on obtaining service or repairs. The telephone company may ask that you disconnect this equipment from the network until the problem has been corrected or until you are sure that the equipment is not malfunctioning.

This equipment may not be used on coin service provided by the telephone company, and is not intended for use with party line service. This equipment is intended for use only on loop-start service, and will not operate on a ground-start central Office line.

DOC Registration

The Canadian Department of Communications label identifies certified equipment. This certification means that the equipment meets certain telecommunications network protective, operational and safety requirements. The Department does not guarantee the equipment will operate to the user's satisfaction.

Before installing this equipment, users should ensure that it is permissible to be connected to the facilities of the local telecommunications company. The equipment must also be installed using an accepted method of connection. In some cases, the company's inside wiring associated with a single-line individual service may be extended by means of a certified connector assembly (telephone extension cord). The customer should be aware that compliance with the above conditions may not prevent degradation of service in some situations.

Repairs to certified equipment should be made by an authorized Canadian maintenance facility designated by the supplier. Any repairs or alterations made by the user to this equipment, or equipment malfunctions, may give the telecommunications company cause to request the user to disconnect the equipment.

Users should ensure for their own protection that the electrical ground connections of the power utility, telephone lines and internal metallic water pipe system, if present, are connected together. This precaution may be particularly important in rural areas.

Caution: Users should not attempt to make such connections themselves, but should contact the appropriate electric inspection authority or electrician, as appropriate.

The Load Number (LN) assigned to each terminal device denotes the percentage of the total load to be connected to a telephone loop which is used by the device, to prevent overloading. The termination on a loop may consist of any combination of devices subject only to the requirement that the total of the Load Numbers of all the devices does not exceed 100.

Notice: This product has been tested and meets the Class B limits for radio noise emissions set out by the Radio Interference Regulation of the Canadian Department of Communications.

13

Limited Warranty

We warrant that if this product, manufactured by **Multi-Link, Inc.** and purchased by you, proves to be defective in material or workmanship, we will provide without charge, for a period of one (1) year (U.S. only), the labor and the parts necessary to remedy any such defect. Warranty period commences on the date of purchase by the original retail consumer.

The duration of any implied warranty of merchantability, fitness for a particular purpose, or otherwise, on this product shall be limited to the duration of the applicable express warranty set forth above. In no event shall we be liable for any loss, inconvenience or damage whether direct, incidental, consequential or otherwise resulting from breach of any express or implied warranty, of merchantability, fitness for a particular purpose, or otherwise with respect to this product, except as set forth herein. Some states do not allow limitations on how long an implied warranty lasts and some states do not allow the exclusion or limitation of incidental or consequential damages, so the above limitations or exclusions may not apply to you.

To obtain service under this warranty, you must present or send your product together with a copy of the retail seller's original bill of sale, your charge or credit card receipt, or other satisfactory proof of the date of the original retail purchase of the product, to any authorized service station. A list of the authorized service stations can be obtained from your dealer or from **Multi-Link, Inc.**

This warranty does not cover damage which results from accident, misuse, abuse, improper line voltage, fire, flood or damage resulting from repairs or alterations performed other than by authorized service stations. This warranty gives you specific legal rights, and you may also have other rights which vary from state to state.

Service Information

Your machine has been registered with the Federal Communications Commission, and under this program, in the event of equipment malfunction, all repairs will be performed by Multi-Link Inc. or a warranty repair center that we have authorized. The owner is restricted from performing any maintenance operation other than those specified within this instruction manual. If you require service, please contact your dealer or **Multi-Link, Inc.** at:

In Canada: Unit A1 6120 - 2nd Street S.E., Calgary, AB T2H 2L8, 1 (800) 661-8371

In the U.S. 225 Industry Parkway, Nicholasville, Kentucky 40356 . 1 (800) 535-4651

DON'T FORGET TO FILL OUT AND MAIL YOUR WARRANTY CARD!

Input Power Requirement: 120 Volts AC 60 Hz

Maximum Current Output: 15 Amps General Purpose

Maximum Power Output: 600 Watts Incandescent
1800 Watts General Purpose

Ringer Equivalence Number: 1.1 B

For Indoor Use Only!

No Serviceable Parts Inside.

UL Listed 9N06 Appliance Control (United States and Canada)

The Power Stone contains patented and otherwise proprietary circuits and software algorithms. This owner's manual describes the operation and function of some of these circuits and algorithms. Unauthorized duplication of this manual is a violation of U.S. and other copyright laws, and unauthorized use of all or part of this manual may result in patent infringement. Therefore, **THIS MANUAL IS TO BE USED ONLY WITH OR AS A MARKETING TOOL FOR THE POWER STONE™.** Duplication of all or part of this manual without the permission of **Multi-Link, Inc.** is prohibited.