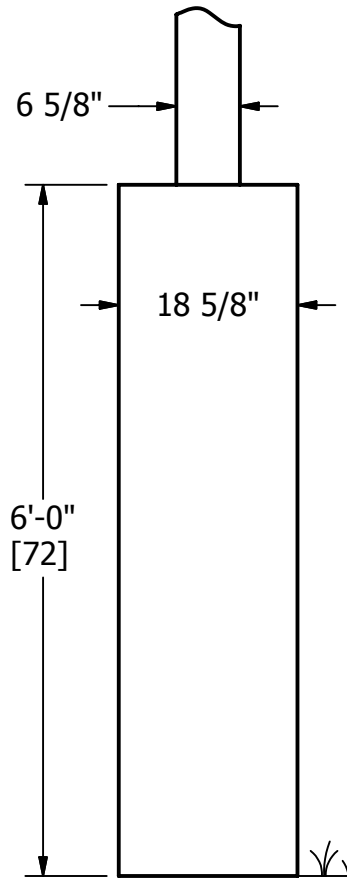
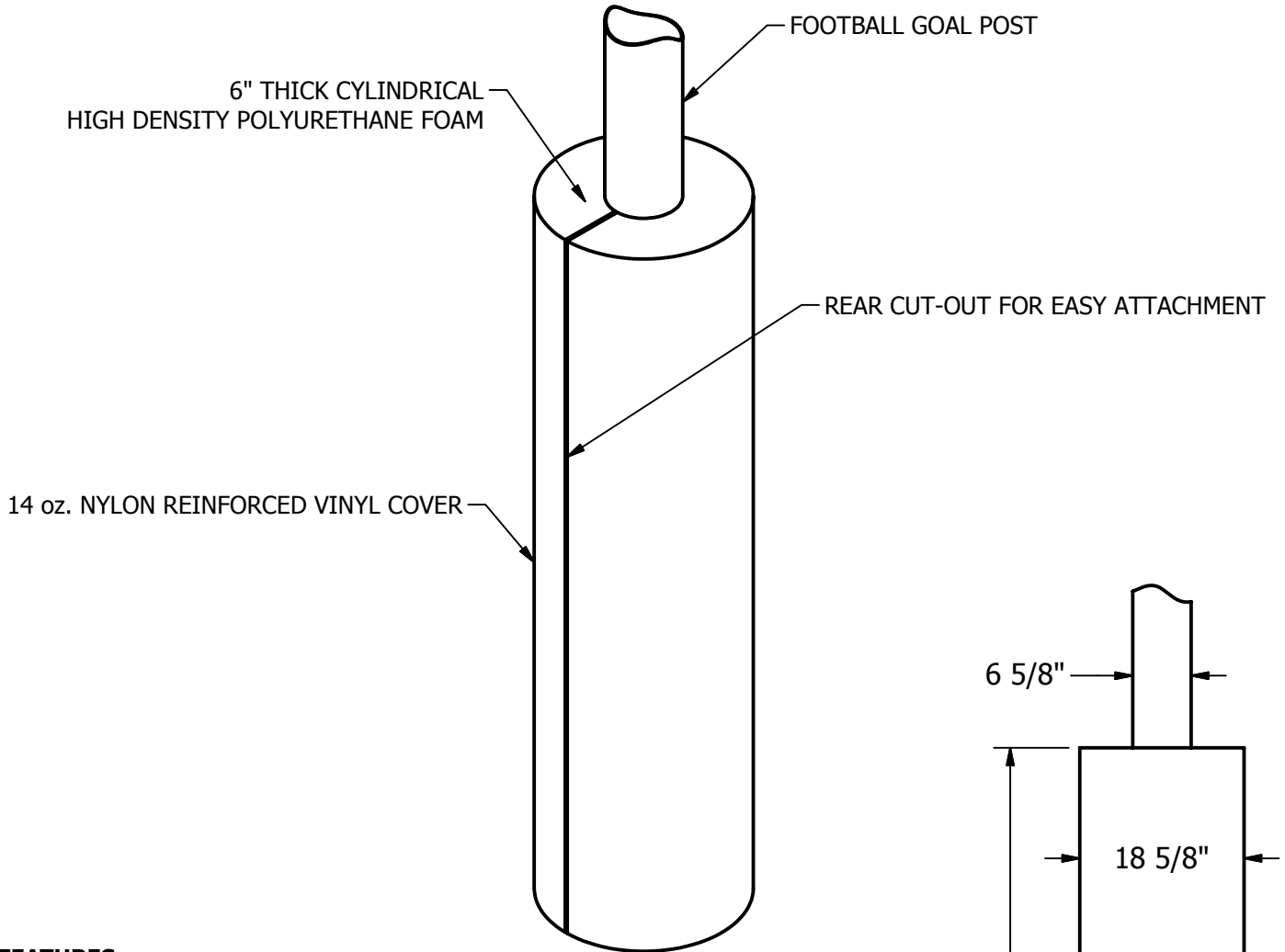


PPP-800

PRO-STYLE ROUND PROTECTOR PAD



FEATURES:

- * FITS A 6 5/8" OD FOOTBALL GOAL POST
- * 6" THICK CYLINDRICAL HIGH DENSITY POLYURETHANE FOAM
- * REAR CUT-OUT FOR EASY ATTACHMENT
- * 14 oz. NYLON REINFORCED VINYL COVER, COMPLETELY ENCLOSES THE FOAM FILLER
- * VINYL COVER HAS FULL LENGTH HOOK & LOOP CLOSURE FLAP

OPTIONS:

- * PAD COLORS (PLEASE SPECIFY)

- | | | | | |
|--------------------------------------|--|---------------------------------|--------------------------------|---------------------------------|
| <input type="checkbox"/> BLACK | <input type="checkbox"/> FORESET GREEN | <input type="checkbox"/> RED | <input type="checkbox"/> GREY | <input type="checkbox"/> PURPLE |
| <input type="checkbox"/> KELLY GREEN | <input type="checkbox"/> ROYAL BLUE | <input type="checkbox"/> YELLOW | <input type="checkbox"/> BEIGE | <input type="checkbox"/> MAROON |
| | | | | <input type="checkbox"/> ORANGE |

- * CUSTOM PAD LETTERING

- LETTERS ARE SCREENED IN PLACE WITH WHITE ACRYLIC ENAMEL FOR LONG-LASTING USE
- LETTER SIZE DETERMINED BY LENGTH OF NAME
- SIX LETTER MAXIMUM

REV.	DESCRIPTION	DATE	BY
-	INITIAL RELEASE	7/20	MT

PPP-800
PRO-STYLE ROUND
PROTECTOR PAD

THIS PRINT IS THE PROPERTY OF JAYPRO SPORTS, LLC.
AND MAY NOT BE REPRODUCED WITHOUT WRITTEN PERMISSION

www.jaypro.com



Jaypro
Sports Equipment
Since 1953

FAX: 860.444.1779 (SALES)
860.440.0628 (ENG.)

PHONE: 800.243.0533 (TOLL FREE)
860.447.3001 (LOCAL)

JAYPRO SPORTS, LLC, 976 HARTFORD TURNPIKE, WATERFORD, CT 06385 USA

DRAWING NAME / PART NUMBER: PPP-800	
DRAWN BY: Moune T.	ISSUE DATE: 7/20/2010
CHK'D BY: WVB	
SHEET: 1 OF 1	REV. -

COPYRIGHT 2006
JAYPRO SPORTS, LLC.
ALL RIGHTS RESERVED