

HRC

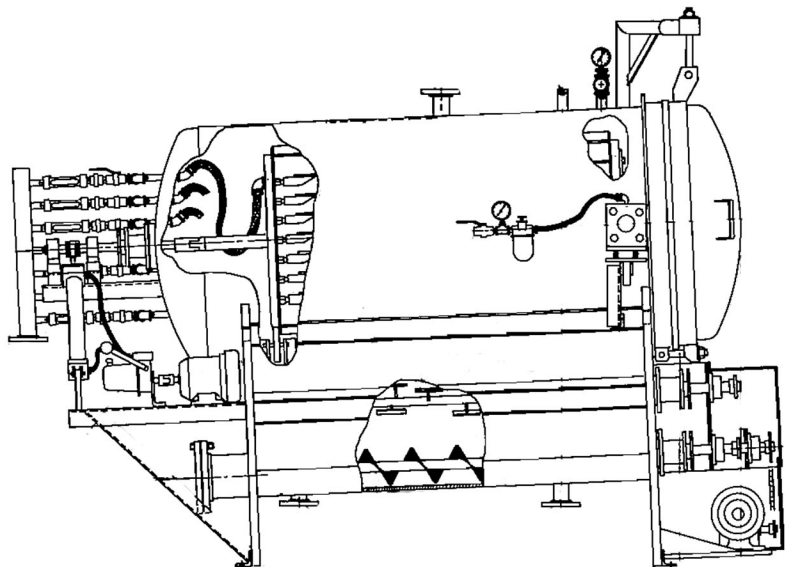
SPARKLER FILTERS INC.

Allaying separation anxiety since 1927



Consider using this filter if your application...

- contains hazardous material
- benefits from full automation
- contains coarse solids
- requires a unique processing solution



Typical Filter Media



Contact Sparkler today to discuss options or inquire about a rental!

Features and Benefits

- Zero Operator Contact
- Combines advantages of both Vertical Plate and Horizontal Plate Filters
- Zero Leak, ASME Design

HRC Filter Models

CARTRIDGE	FILTER AREA FT ²	CAKE CAPACITY FT ³
HRC- 50	62.6	10.4
HRC- 100	108	18
HRC- 150	151.8	22.1
HRC- 200	206.9	30.1
HRC- 250	258.7	43
HRC- 300	309.7	38.7

Common Applications:



Chemical
Pharmaceutical
Food and Beverage
Specialty Chemical

