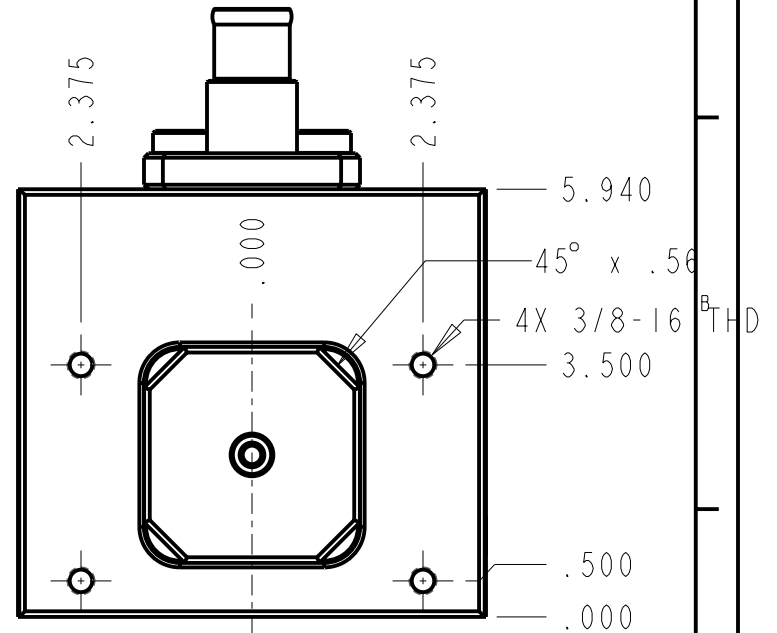
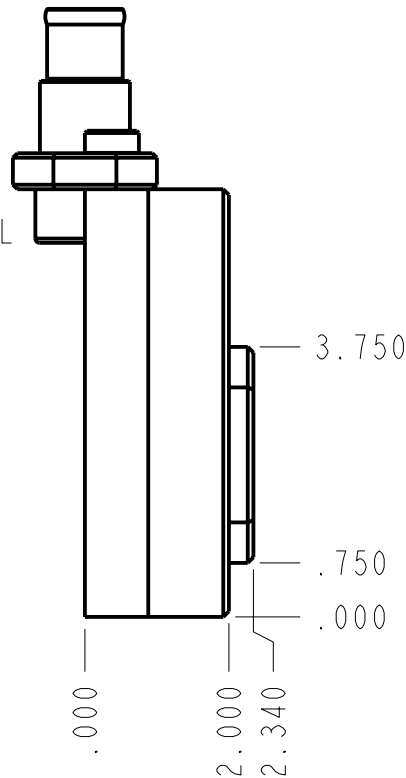
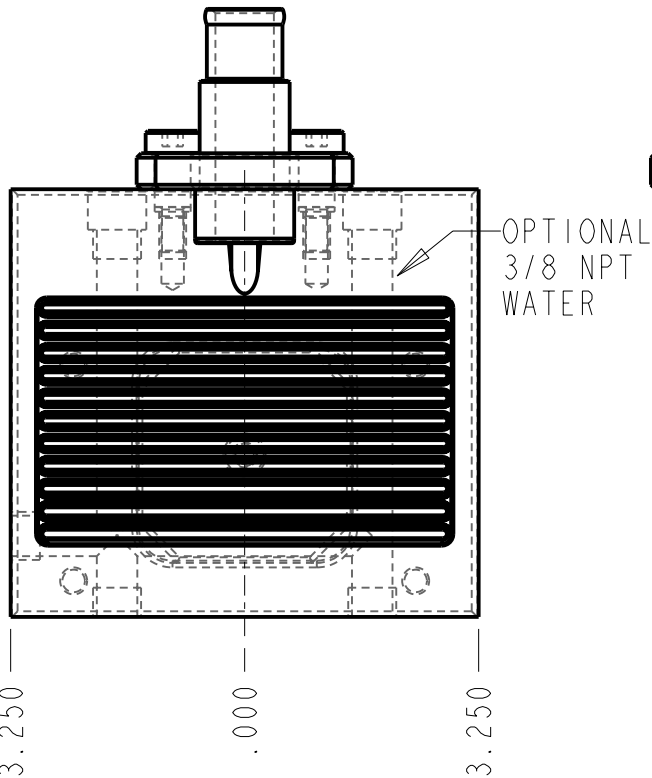
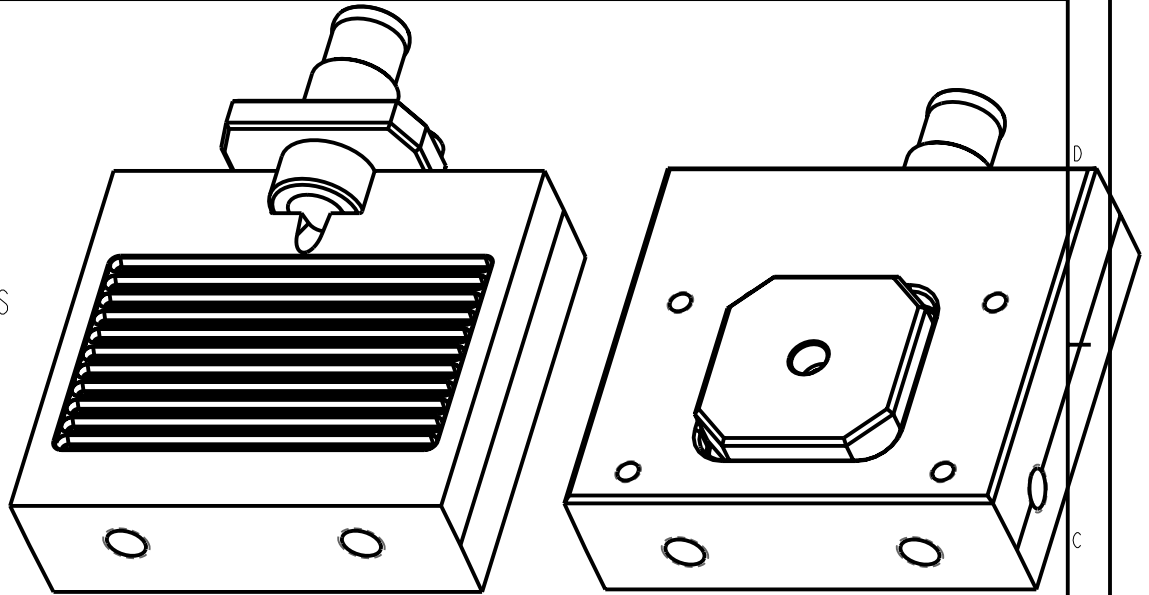
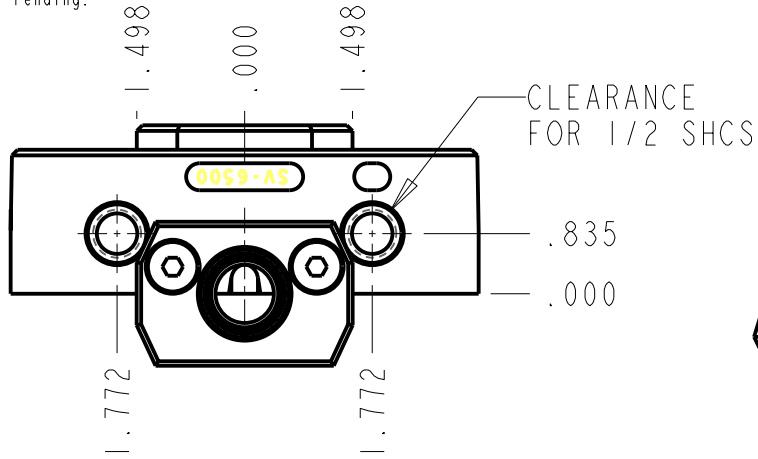


Midland Technologies, Inc. claims proprietary rights in the subject matter shown and described in this drawing and associated computer models. The drawing is furnished for reference purposes only and on express understanding that it will be held in strict confidence and neither it nor any reproduction thereof will be disclosed to others or used for purposes of manufacture or procurement from others of the articles or parts shown thereon without the express and written consent from Midland Technologies, Inc.

Patent Pending.



TOLERANCES EXCEPT NOTED	
.X	±.030
.XX	±.010
.XXX	±.001
ANGLES	±1/2°

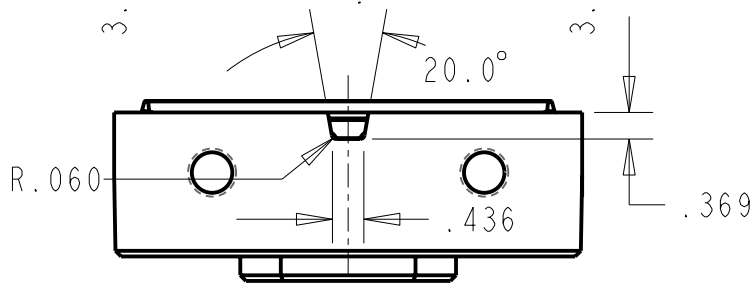
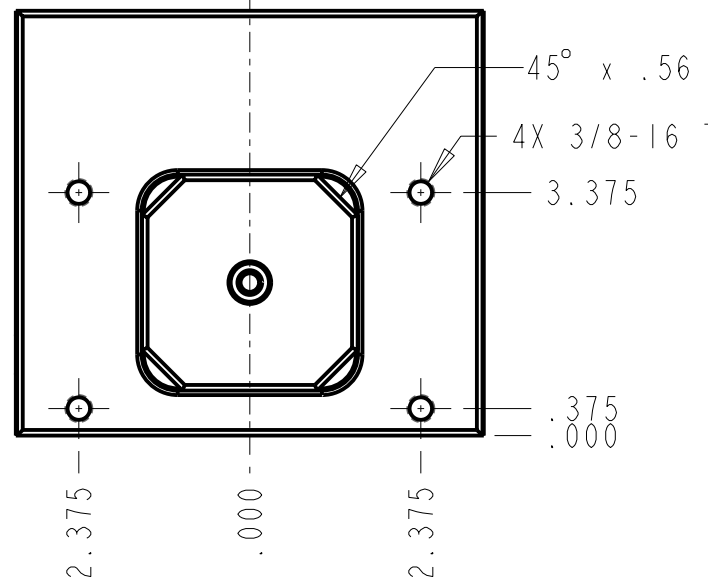
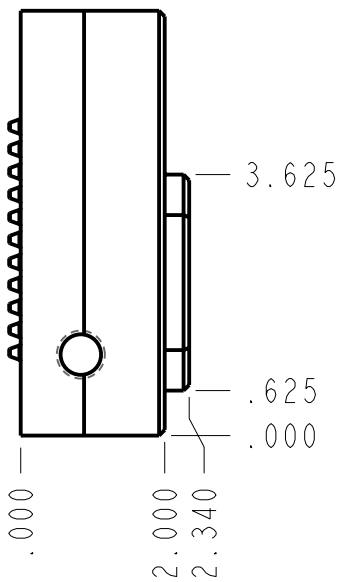
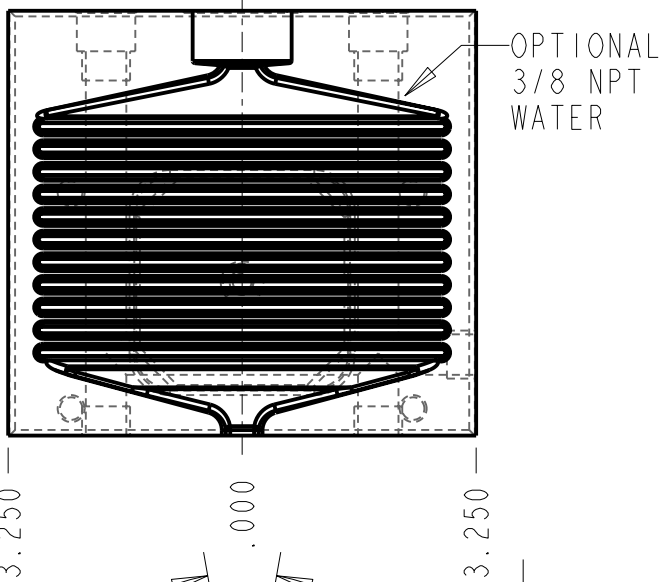
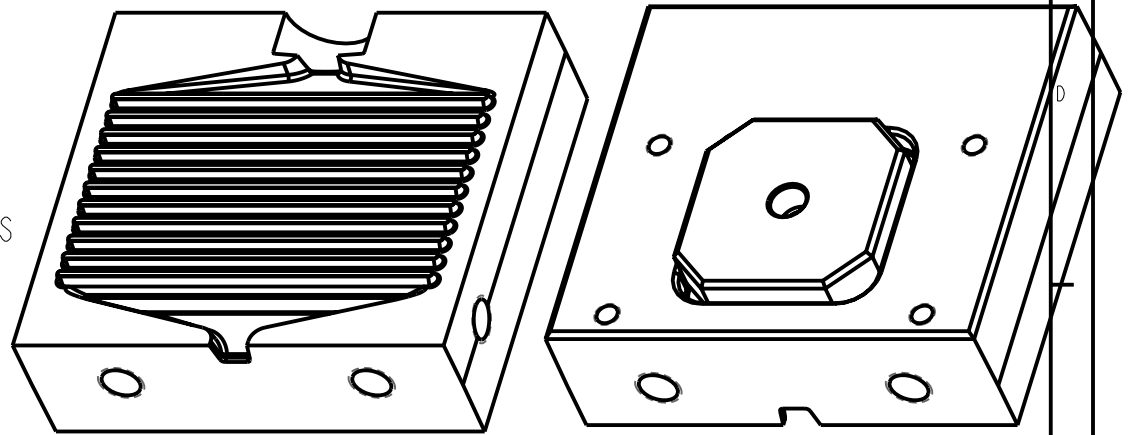
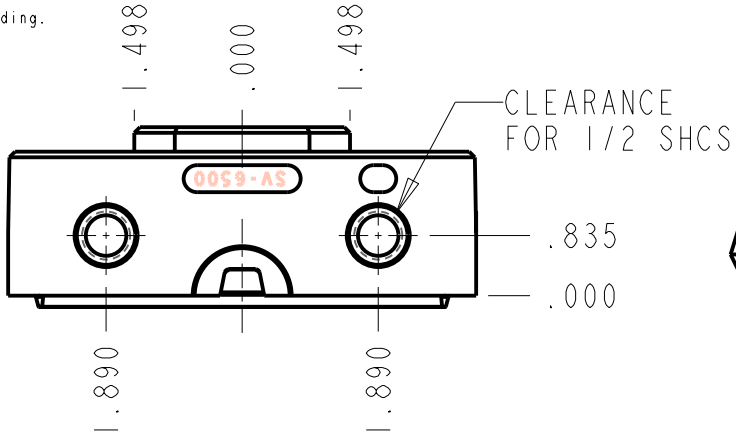
MIDLAND TECHNOLOGIES, INC.	
TITLE SV-6500-E	
STATIONARY SIDE BLOCK	

INCH	THIRD ANGLE
A	PROJECTION

SCALE	DATE:
.375	06-09-04

Midland Technologies, Inc. claims proprietary rights in the subject matter shown and described in this drawing and associated computer models. The drawing is furnished for reference purposes only and on express understanding that it will be held in strict confidence and neither it nor any reproduction thereof will be disclosed to others or used for purposes of manufacture or procurement from others of the articles or parts shown thereon without the express and written consent from Midland Technologies, Inc.

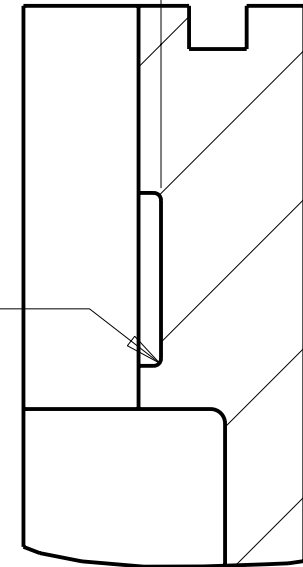
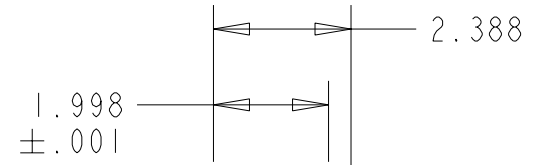
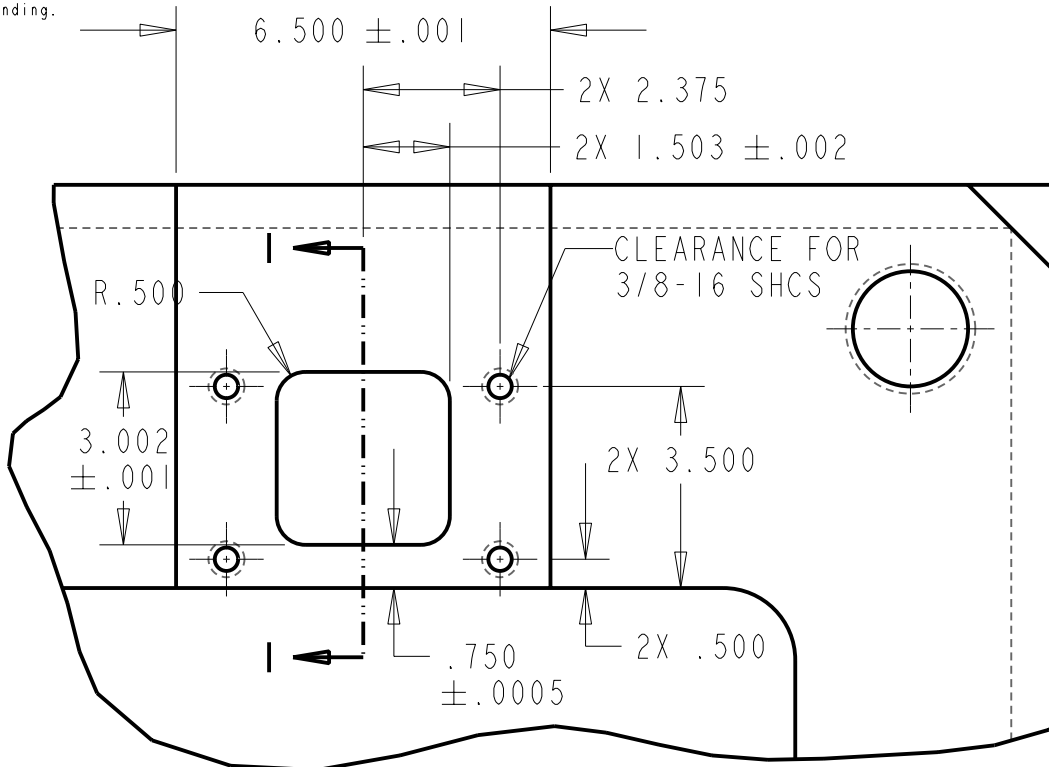
Patent Pending.



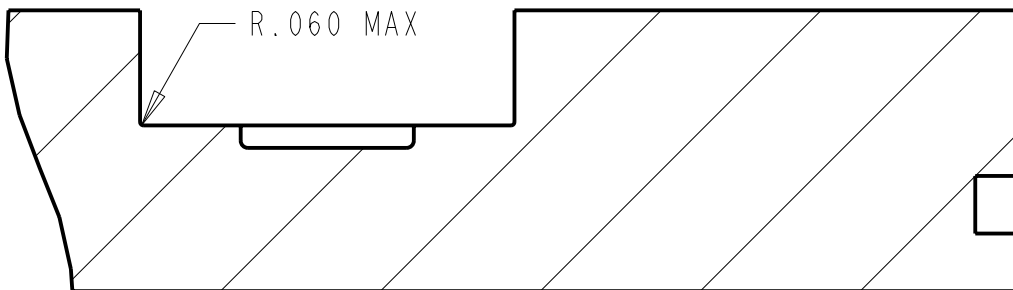
TOLERANCES EXCEPT NOTED		MIDLAND TECHNOLOGIES, INC.	
.X	±.030	TITLE	SV-6500-E
.XX	±.010	EJECTOR SIDE BLOCK	
.XXX	±.001	SCALE	DATE:
ANGLES	±1/2°	.375	06-09-04
INCH	THIRD ANGLE	PROJECTION	

Midland Technologies, Inc. claims proprietary rights in the subject matter shown and described in this drawing and associated computer models. The drawing is furnished for reference purposes only and on express understanding that it will be held in strict confidence and neither it nor any reproduction thereof will be disclosed to others or used for purposes of manufacture or procurement from others of the articles or parts shown thereon without the express and written consent from Midland Technologies, Inc.

Patent Pending.



SECTION 1-1

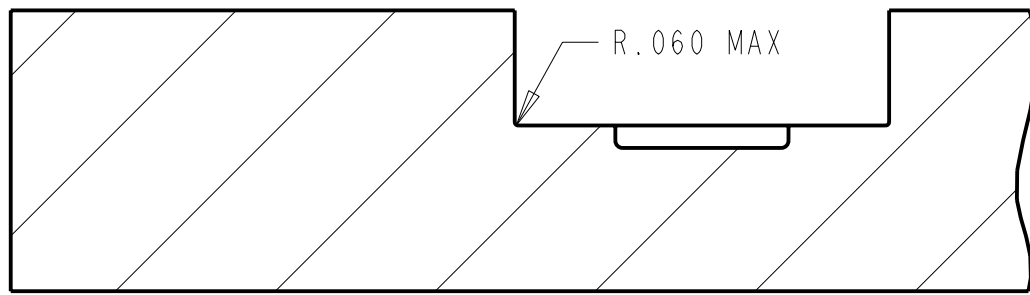
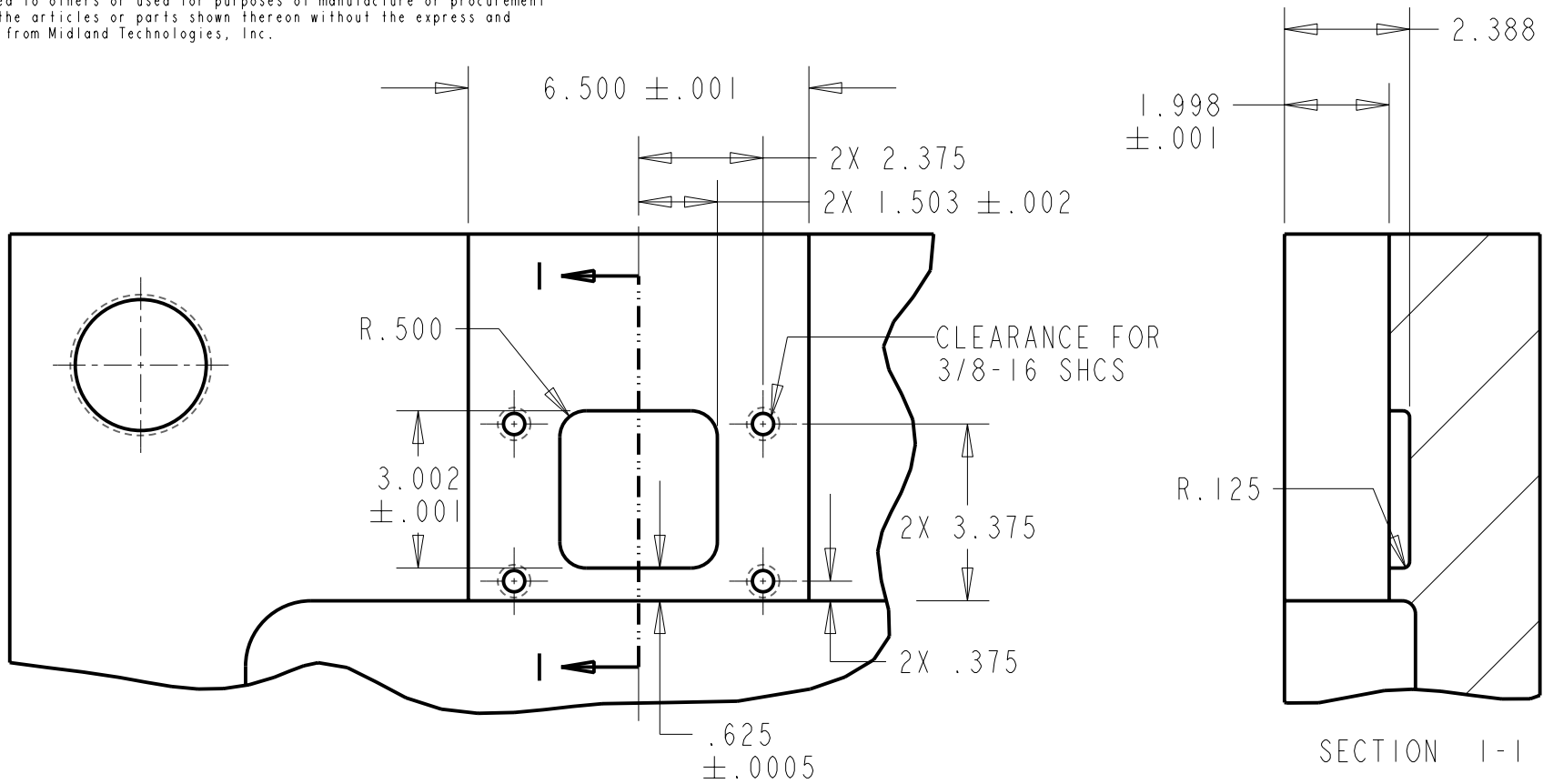


SECTION 2-2

TOLERANCES EXCEPT NOTED		MIDLAND TECHNOLOGIES, INC.	
.X	±.030	TITLE	6500 SERIES
.XX	±.010		STATIONARY PLATE DETAIL
.XXX	±.001		
ANGLES	±1/2°		
INCH	THIRD ANGLE	SCALE	DATE:
A		.30	05-07-02

Midland Technologies, Inc. claims proprietary rights in the subject matter shown and described in this drawing and associated computer models. The drawing is furnished for reference purposes only and on express understanding that it will be held in strict confidence and neither it nor any reproduction thereof will be disclosed to others or used for purposes of manufacture or procurement from others of the articles or parts shown thereon without the express and written consent from Midland Technologies, Inc.

Patent Pending.



SECTION 2-2

SECTION 1-1

TOLERANCES EXCEPT NOTED		MIDLAND TECHNOLOGIES, INC.	
.X	±.030	TITLE 6500 SERIES	
.XX	±.010	EJECTOR SIDE PLATE DETAIL	
.XXX	±.001	SCALE	DATE:
ANGLES	±1/2°	.375	05-07-02
INCH	THIRD ANGLE	PROJECTION	
A			