

# TF-CVT-WM Series



## LED Commercial Series Vapor Tights

Type:

Catalog Number:

Project/Location:

Approved By:

### SPECIFICATIONS

**Housing and Guard:** Heavy-duty construction of corrosion resistant die cast aluminum.

**Gasket:** Closed cell silicone foam gasket. Seals out moisture, dust and insects for weather-tight operation.

**Mounting:** Surface wall (wire access on four sides and back), ceiling (wire access on four sides and top) or pendant mount (wire access on top) over standard J-box. Threaded for 3/4" conduit.

**Lens:** Regressed 2447 white acrylic.

**Driver:** Constant current input voltage 120V only, 50-60Hz line voltage frequency. Operating temperature -20°C to 40°C, Power Factor ≥ .90.

**LED:** Specify amber (A), blue (B), green (G), red (R), or 3000 (30K), 3500 (35K), 4000 (40K), and 5000K (50K). 40K Standard.

**Lumens:** 385.

**Finish/Colors:** Zinc based primer with polyester powder coat finish in Matte Black (MB), Matte White (MW), Matte Bronze (BZ), Silver Gray (SG), or a custom color (CC). SG standard.

**Testing:** LM79, LM80, ETL.

Conforms to UL Standard 1598. Suitable for wet locations.

### Options:

FLA Harsh environment finish

TF Turtle Friendly 590 nm Amber LED

See options page for additional information or consult factory.



Series	Source	Wattage	Max Wattage
TF-CVT-WM	LED	TW	12

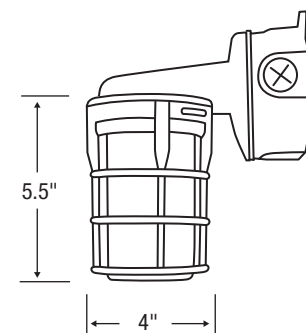
### ORDERING EXAMPLE

TF-CVT-WM – 6LED – A – 120 – SG



WALL MOUNT

SIDE



## ELCAST LIGHTING

815 S. Kay Ave., Addison, IL 60101 USA • 630.543.5390  
www.ElcastLtg.com • ElcastLtg@ElcastLtg.com

**Made in USA** – 5 year limited warranty

©2017. Specifications are subject to change without notice. Consult factory for verification.