

FE-2 Series

LED Architectural Marker Light

Type:

Catalog Number:

Project/Location:

Approved By:

SPECIFICATIONS

Housing: Heavy-duty construction of corrosion resistant formed steel. Stainless steel hardware.

Face Plate: Aluminum.

Gasket: Closed cell silicone foam gasket. Seals out moisture, dust, and insects for weather-tight operation.

Mounting: Recessed wall.

Lens: Diffused acrylic lens.

Driver: Solid state electronic constant current. Input voltage 120V only.

LED: Specify amber (A), blue (B), green (G), red (R), or 3000 (30K), 3500 (35K), 4000 (40K), and 5000K (50K). 40K Standard.

Lumens: 100.

Finish/Colors: Zinc based primer with polyester powder coat finish in Matte Black (MB), Matte White (MW), Matte Bronze (BZ), Silver Gray (SG), or a custom color (CC). SG standard.

Testing: LM79, LM80, ETL.
Suitable for damp locations.

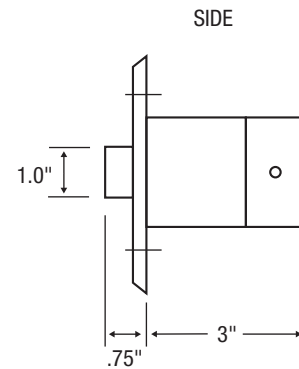
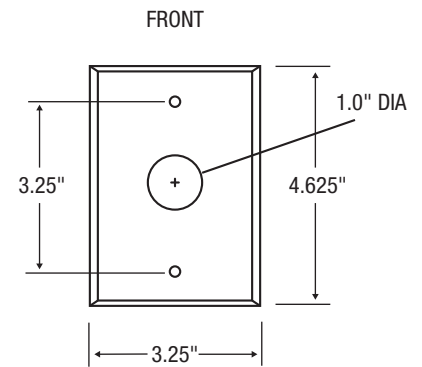
See options page for additional information or consult factory.



Series	Source	Wattage/Max
FE-2	LED	1W

ORDERING EXAMPLE

FE-2 – 1WLED – 40K – 120 – SG



ELCAST LIGHTING

815 S. Kay Ave., Addison, IL 60101 USA • 630.543.5390
www.ElcastLtg.com • ElcastLtg@ElcastLtg.com

Made in USA – 5 year limited warranty

©2017. Specifications are subject to change without notice. Consult factory for verification.

REV 01-19