

725 Series

LED Architectural Wall or Pole Mount

Type:

Catalog Number:

Project/Location:

Approved By:

SPECIFICATIONS

Housing: Heavy-duty construction of corrosion resistant die cast aluminum. Stainless steel hardware.

Gasket: Closed cell silicone foam gasket. Seals out moisture, dust, and insects for weather-tight operation.

Mounting: Surface wall over standard J-box or pole mount slips over 2.35 OD tenon.

Diffuser: Clear or opal glass sealed with a silicon gasket. Detachable reflector secured with a set-screw.

Driver: Constant current and Universal input voltage 120-277V, 50-60Hz line voltage frequency. Operating temperature -20°C to 40°C, Power Factor \geq .90.

LED: Specify amber (A), blue (B), green (G), red (R), or 3000 (30K), 3500 (35K), 4000 (40K), and 5000 (50K) – 40K standard.

Lumens: 1530.

Finish/Colors: Zinc based primer with polyester powder coat finish in Matte Black (MB), Matte White (MW), Matte Bronze (BZ), Silver Gray (SG), or a custom color (CC).

Testing: LM79, LM80, ETL.

Conforms to UL Standard 1598. Suitable for wet locations.

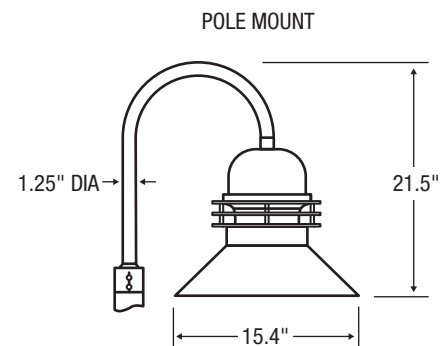
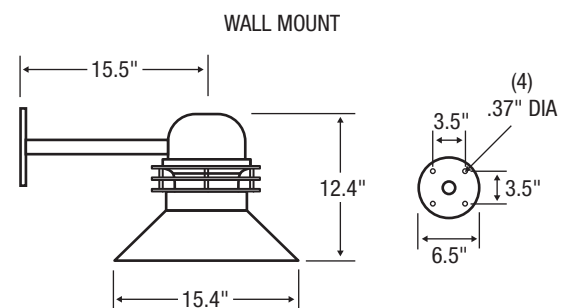
See options page for additional information or consult factory.



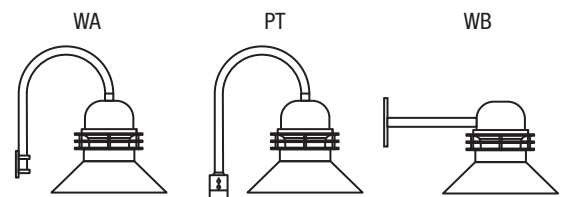
Series	Source	Wattage/Max
850	LED	21W

ORDERING EXAMPLE

725 – PT – 21WLED – 40K – 120 – MB



MOUNTING OPTIONS



- WA Wall arm hooked
- PT1 One arm post top
- PT2 Two arms post top at 90° or 180°
- PT3 Three arms post top at 120°
- WB Wall bracket

ELCAST LIGHTING

815 S. Kay Ave., Addison, IL 60101 USA • 630.543.5390
 www.ElcastLtg.com • ElcastLtg@ElcastLtg.com

Made in USA – 5 year limited warranty

©2017. Specifications are subject to change without notice. Consult factory for verification.