

1800WA Series

LED Architectural Surface or Pendant Mount

Type:

Catalog Number:

Project/Location:

Approved By:

SPECIFICATIONS

Housing: 2447 white acrylic tubing.

Mounting: Pendant mount with 1/16" diameter 10' stainless steel adjustable aircraft cables.

Drivers: Solid state electronic driver constant current 0-10V dimming, universal (120-277V) remote mounted.

LED: Specify amber (A), blue (B), green (G), red (R), or 3000 (30K), 3500 (35K), 4000 (40K), and 5000K (50K). 40K Standard.

Lumens: 24" 1350
 36" 1600
 48" 2400

1000 optional down light

Power Cord: Black, silver or white power cord.

Finish/Colors: Zinc based primer with polyester powder coat finish in Matte Black (MB), Matte White (MW), Matte Bronze (BZ), Silver Gray (SG), or a custom color (CC).

Testing: LM79, LM80, ETL.

Conforms to UL Standard 1598. Suitable for wet locations.

Down Light, Surface or Pendant Mounts available in various sizes; 4", 6", 8" or 10". Please specify.

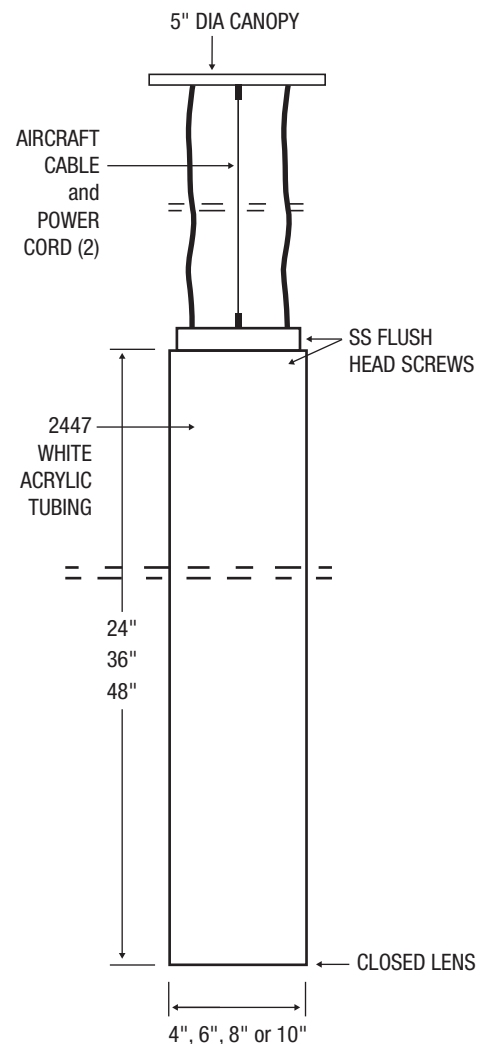
See options page for additional information or consult factory.



Series	Source	Wattage/Max
1800WA	LED	80W

ORDERING EXAMPLE

1804WA – 24" – LED(35K) – 277V – AL – DIM



ELCAST LIGHTING

815 S. Kay Ave., Addison, IL 60101 USA • 630.543.5390
 www.ElcastLtg.com • ElcastLtg@ElcastLtg.com

Made in USA – 5 year limited warranty

©2017. Specifications are subject to change without notice. Consult factory for verification.

REV 09-18