

Healthcare Products

County specializes in two types of products for the healthcare industry.

Cubicle Curtains

Standard Styles: With or without a top mesh. The Mesh top section is 20" – 22" in height unless client specifies otherwise.

Grommets: All curtains are hung with rustproof aluminum two-piece grommets spaces 6" apart. Nickel-plated or Brass-plated finishes (customer to specify).

Top, Side and Bottom Hems: 1 ½" double turned for additional strength and durability. All hems and seams are sewn with double lock-stitches.

Measurements: All cubicle curtains are made to customer's size requirements.

Curtain Width: Add 11% to track width for curtain width to allow for necessary fullness. (Add 15% to track widths less than 96".) To calculate finished width, add additional allowances for material used in hems and joining to actual width plus fullness.

Curtain Length: Typically 15" of clearance is allowed below the curtain. Measure distance from track to floor and subtract 15" to calculate finished length.

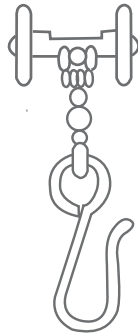
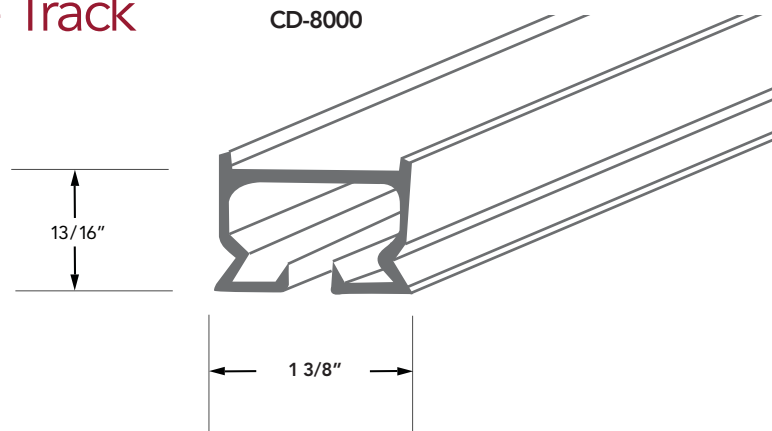
Curtain Tracks: County provides an array of track components and hardware. Consult factory for details.

Options: Tiebacks and Batons



Cubicle Curtain Hardware

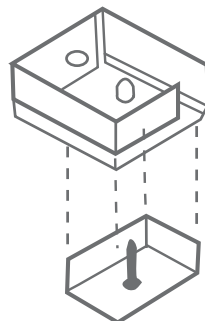
Cubicle Track



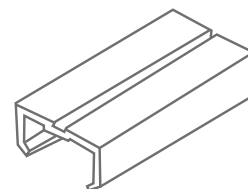
CD-C-215
Two Wheel Cubicle Carrier
with Beaded Chain



CD-C-240
Two Wheel Cubicle Carrier
with Extra Wide Body



CD-C-220
Plastic End Cap
With Removable Gate

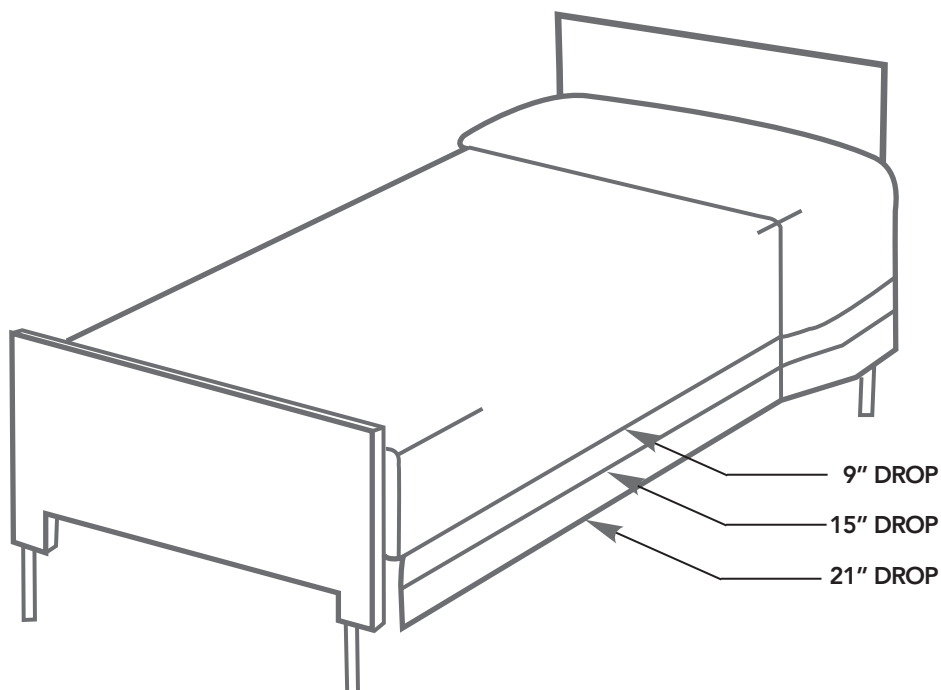


CD-C-240
Aluminum Splice

Healthcare Bedspreads

Fire retardant face fabrics must be specified for healthcare use.

Standard drops are 9", 15" and 21". On regular beds, the 21" drop would be floor length however since hospital beds are usually higher off the floor even the 21" drop may allow for several inches of clearance.



Styles: Standard healthcare facility coverlets are fitted at the foot of the bed.

Other available styles include:

- **Throw**
- **Fitted with Closed Corners**
- **Fitted with Gussets** (quilted or unquilted)
- **Waterfall Fitted**
- **Fitted with Kick Pleat**

Lining: 100% Fire Retardant Polyester

Quilting Patterns: Same as shown on page E17

Fill Weight: Standard – 6 oz. Other Fill Weights: 8 oz., 10 oz. and 12 oz. are available

Fill Type: Bonded polyester

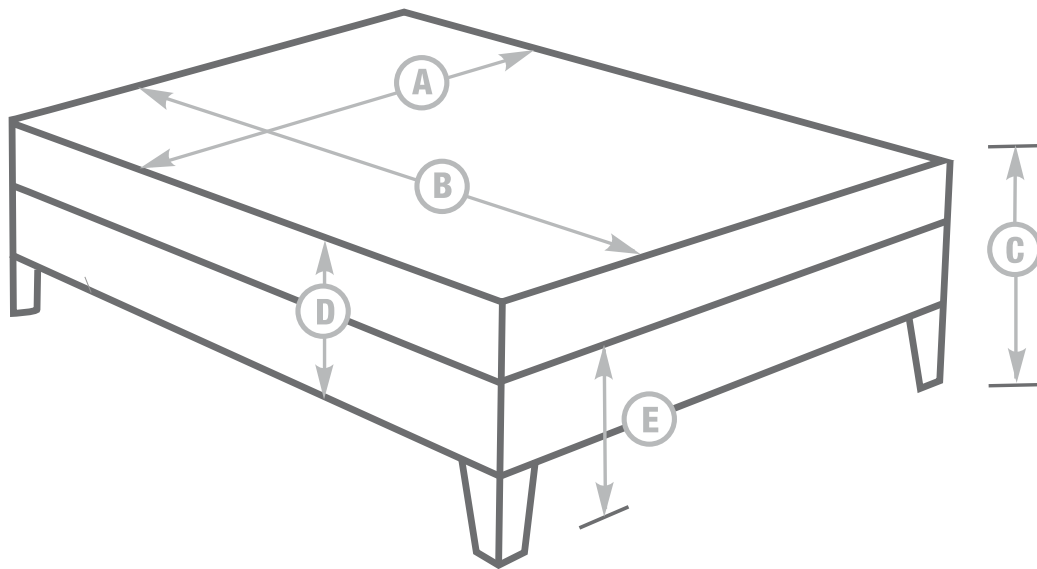


Bedding Measurements

Measurements required for quoting and production of duvets, bedspreads, coverlets and bed skirts include:

- Width and length of bed
- Coverlet drop
- Bed Skirt drop

Note: Due to the overlap of the coverlet and bed skirt, the two drops should be greater than the overall height of the bed.



- A - Width of Bed
- B - Length of Bed
- C - Drop from Top of Mattress to Floor
- D - Height from Top of Mattress to Bottom of Box Spring
- E - Distance from Top of Box Spring to Floor