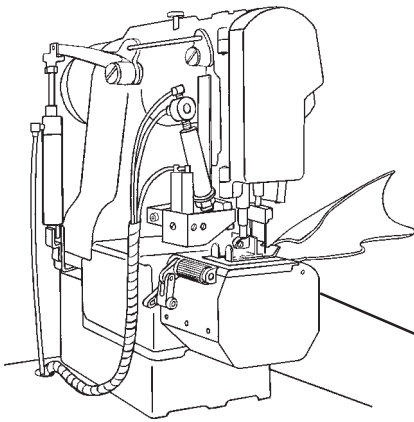
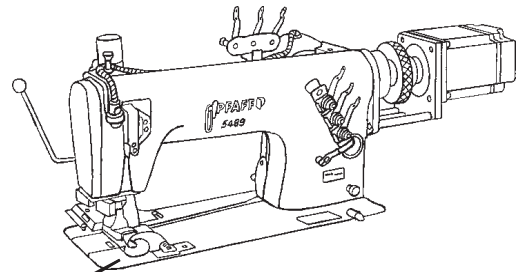


# THE HIGHEST QUALITY OF JEANS ONLY WITH THE LATEST CLINTON TECHNOLOGY

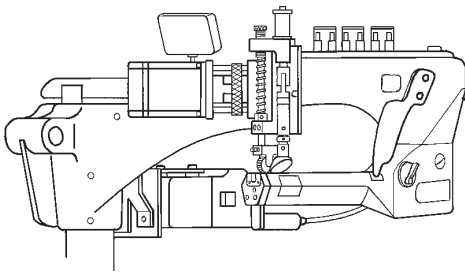


**MODEL 315-10000FORG**  
BANDER TYPE IMPACT THREAD  
CUTTER WITH MINI-TAURUS  
SERVO AND EDGE SENSING AND  
TA600 PULLER.  
THE EDGE SENSING PROVIDES  
ACCURATE CUTTING AND NO  
THREAD WASTE.

BROTHER, JUKI, PFAFF, SEIKO,  
SINGER

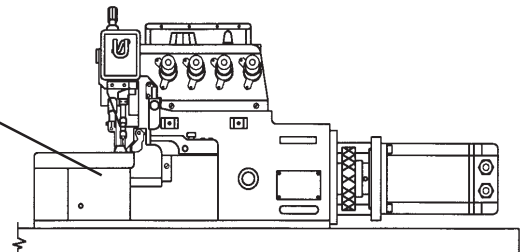
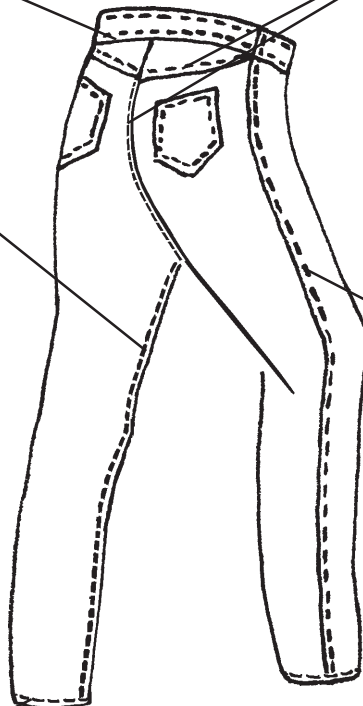


**MODEL 1095E-FLA-FORG**  
MINI-TAURUS DIRECT DRIVE  
NEEDLE POSITIONER, DOUBLE  
NEEDLE CHAINSTITCH FOR SEAT  
SEAMING AND RISER OPERATIONS.  
IT CAN BE INTERFACED WITH OUR  
THREAD TRIMMER 3115FCA-V-C.



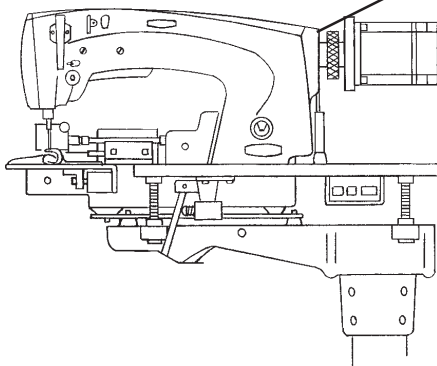
**MODEL 1092E-FLA-FORG**  
MINI-TAURUS DIRECT DRIVE FOR FEED-  
OFF-THE-ARM MACHINES WITH  
SEQUENCED FOOTLIFT, AIR/THREAD  
SAVER AND NEEDLE COOLER OUTPUTS.  
IT CAN BE INTERFACED WITH OUR THREAD  
TRIMMER 2115FOTA-V-C.

BROTHER, CONSEW, DURKOPP,  
PFAFF, PEGASUS, SINGER, U.S.,  
W&G, YAMATO



**MODEL 1095E-FLA-FORG**  
MINI-TAURUS DIRECT DRIVE NEEDLE  
POSITIONER FOR OVEREDGE MACHINES  
WITH INTERMITTENT AIR/THREAD SAVER  
AND FOOTLIFT OUTPUTS ERGONOMI-  
CALLY DESIGNED FOR SIT, STAND &  
KNEEL OPERATIONS. IT CAN BE INTER-  
FACED WITH OUR THREAD TRIMMER  
2100FCA-V-C.

BROTHER, JUKI, PEGASUS, U.S., W&G,  
YAMATO



**MODEL 199/1070**  
UNDERTRIMMER KIT WITH FOOT LIFT AND FOLDER OPENER  
FOR LOCKSTITCH HEMMERS.  
MINI-TAURUS DIRECT DRIVE NEEDLE POSITIONER.  
AN ELECTRIC BOBBIN WINDER IS AVAILABLE FOR THIS UNIT.

UNION SPECIAL 63900, SINGER 591