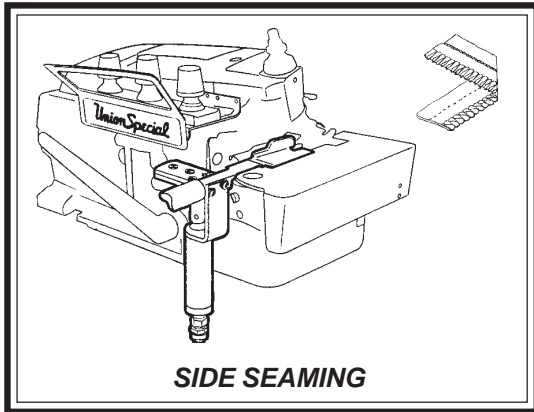
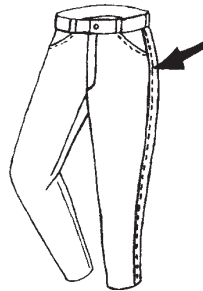


AIR MOTOR CHAIN CUTTERS

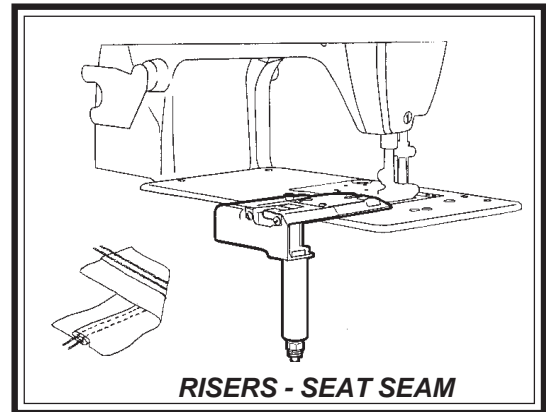


SIDE SEAMING



2100FCA-V-C

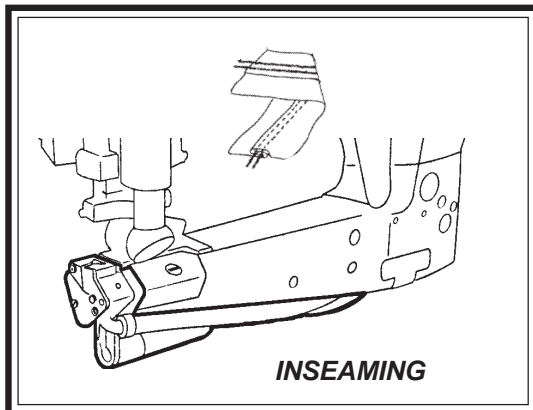
BROTHER, JUKI, KINGTEK, MAUSER, MERROW-DELTA, PEGASUS, SINGER, UNION SPECIAL, W & G, YAMATO



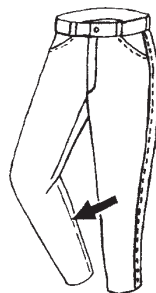
RISERS - SEAT SEAM

2115FCA-V-C

BROTHER, DURKOPP, JUKI, KANSAI, KINGSLINE, PEGASUS, PFAFF, SINGER, TOYOTA, UNION SPECIAL, W & G, YAMATO



INSEAMING

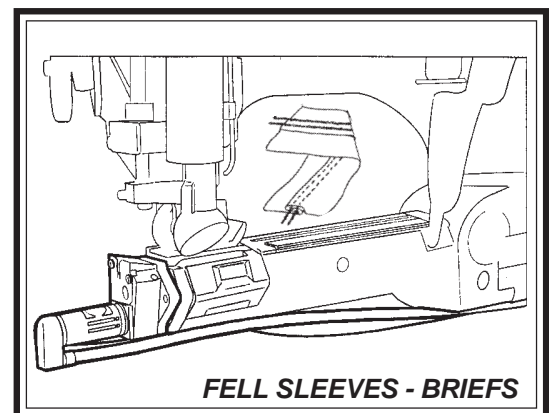


2115FOTA-V-C

JUKI, KANSAI, PEGASUS, PFAFF, RIMOLDI, UNION SPECIAL, YAMATO

6115FOTA-V-C

BROTHER, CONSEW, JUKI, PEGASUS, RIMOLDI, SINGER, UNION SPECIAL, YAMATO



FELL SLEEVES - BRIEFS

Clinton Air Motor Chain cutters are state of the art cutting systems specifically designed for Overlock, Flat Bed Chain Stitch, Flat Bed Lock Stitch and Feed Off The Arm machines, featuring carbide blades and venturi vacuum. They provide clean, close and consistent "ON" and "OFF" cuts.

An external air motor drive operates the cutter at approximately 2,000 RPM when pulsed, utilizing less than 2 CFM of air. It drastically reduces blade wear and allows the cutting system to readily accommodate high speed sewing machines. All components are readily accessible for ease of adjustment and maintenance.