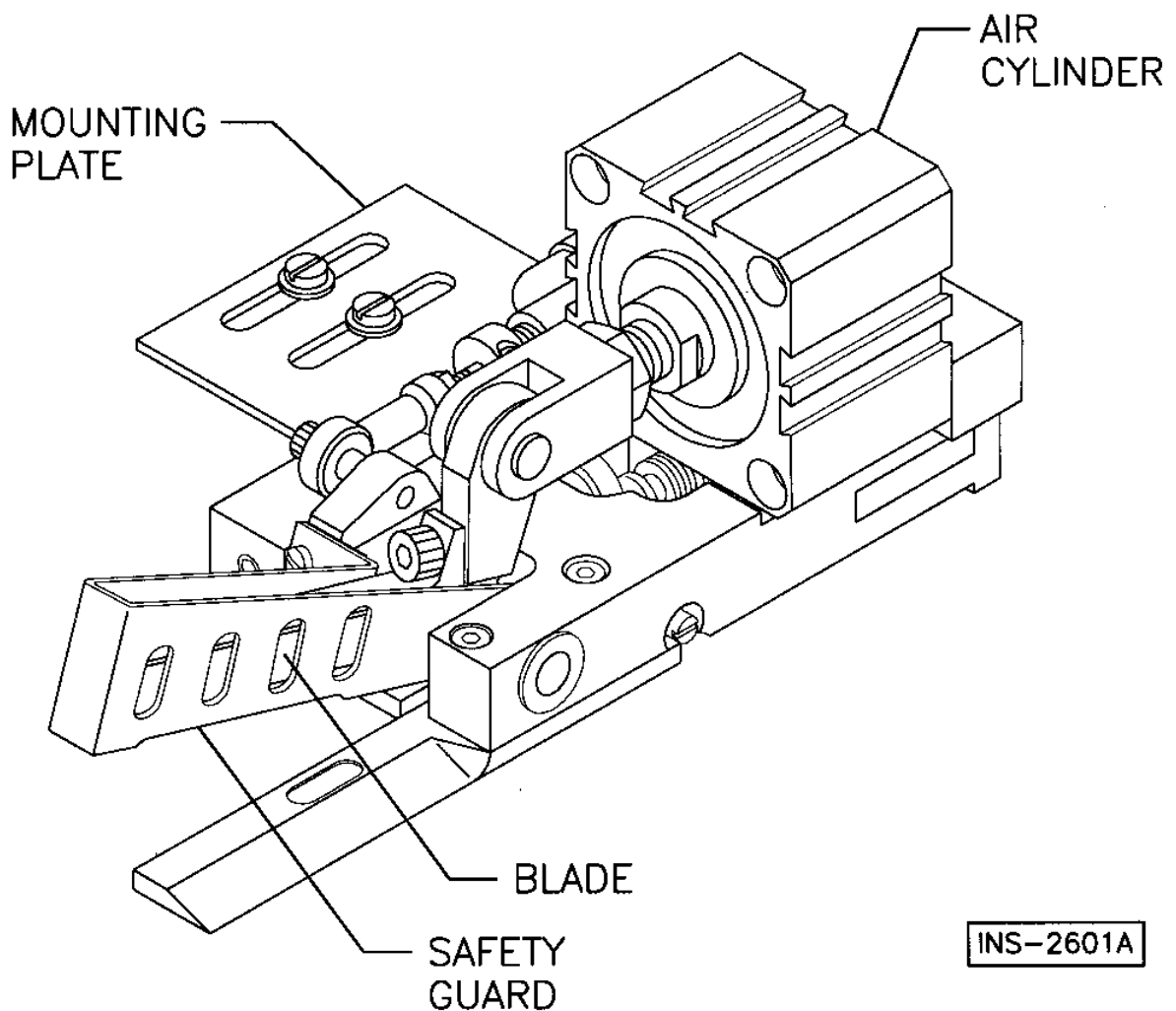


CLINTON SERVICE GUIDE MODEL 605NSA-HS,KS



CLINTON INDUSTRIES, INC.
700 Washington Avenue
Carlstadt, N.J. 07072
Phone: 201-935-4242
FAX: 201-935-3615
Web Site: <http://www.clintonind.com>
Email: general@clintonind.com

ADJUSTMENTS

- | STEP | PART | ADJUSTMENT |
|------|-------------------------------|---|
| 1 | Clevis: | Loosen the hex nut on the cylinder shaft. Lower moveable blade arm and turn the cylinder shaft until the moveable blade passes the stationary blade by 1/16". Tighten the hex nut. |
| 2 | Blade: | Loosen (2) screws "D" on the Stationary Blade, use screw "A" to adjust the cutting blade angle. Turn screw "B" fractionally until the material can be sheared. Cutter operates best with minimal blade pressure. Retighten the (2) screws "D" on the Stationary Blade, and the set screw "C" to hold the adjustments. |
| 3 | Guard Cylinder Stroke: | Loosen the hex nut "B" and push down the guard. Screw the cylinder shaft until the guard is approximately parallel to the stationary blade and lock the hex nut. Set the locking collar "A" so that the guard has enough of a return to allow the material to flow between blades. Lock in adjustments, DO NOT OVERTIGHTEN. |
| 4 | Actuator: | Note: This is a dual function setting!!
1: Switching of the air valve.
2: Safety Features of the cutter. |

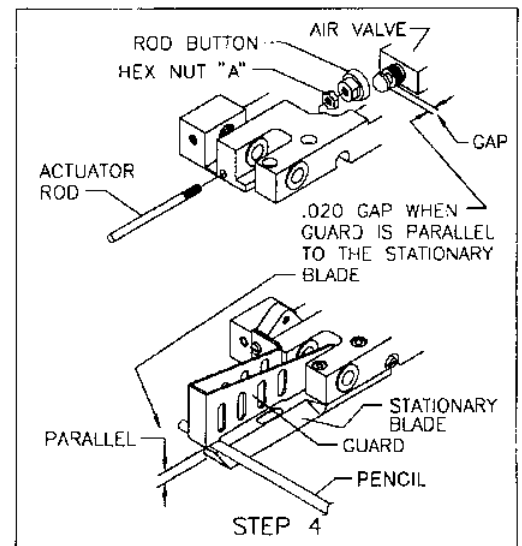
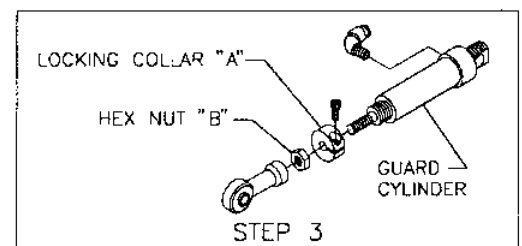
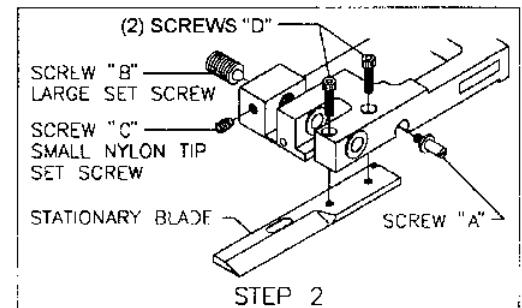
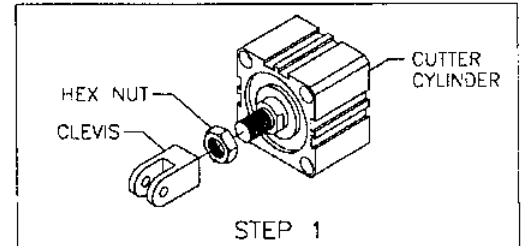
The following steps are crucial to the safety of this cutter!!

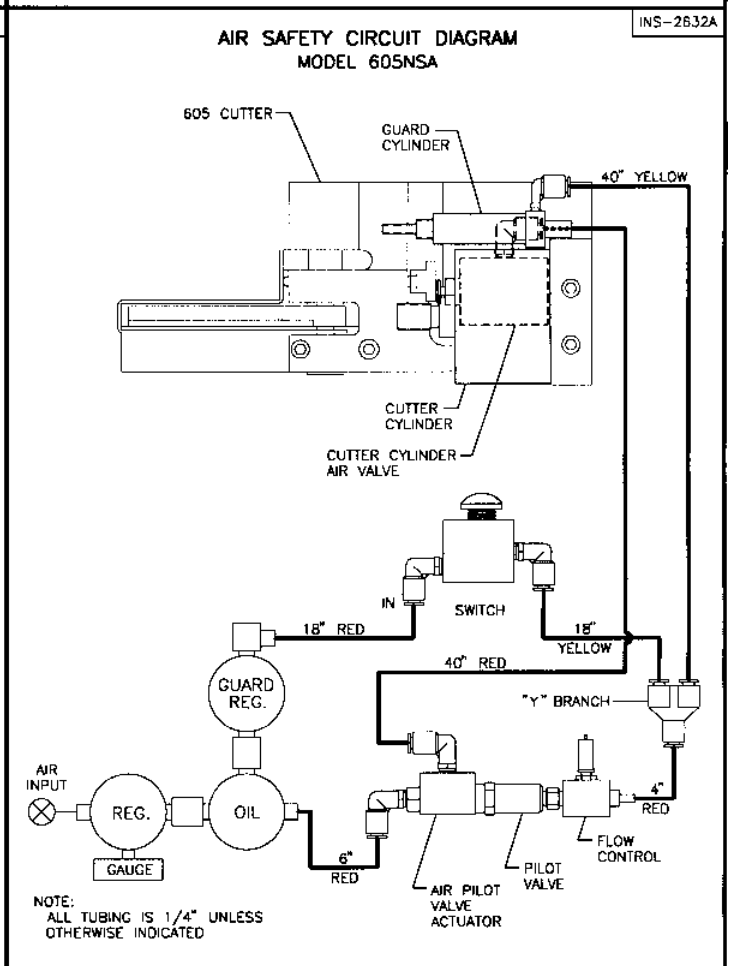
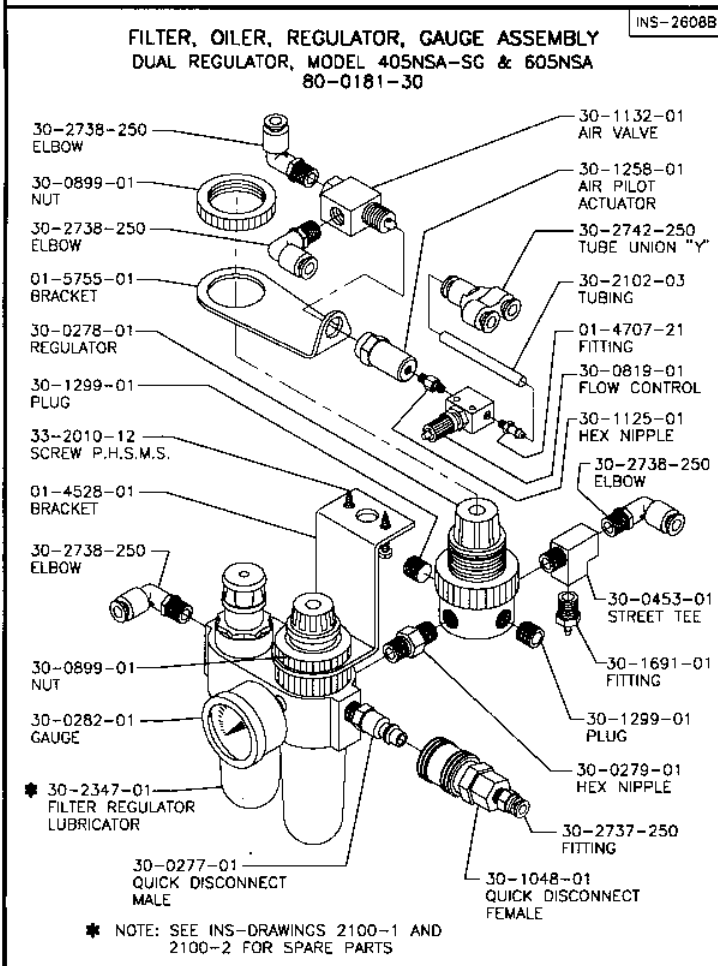
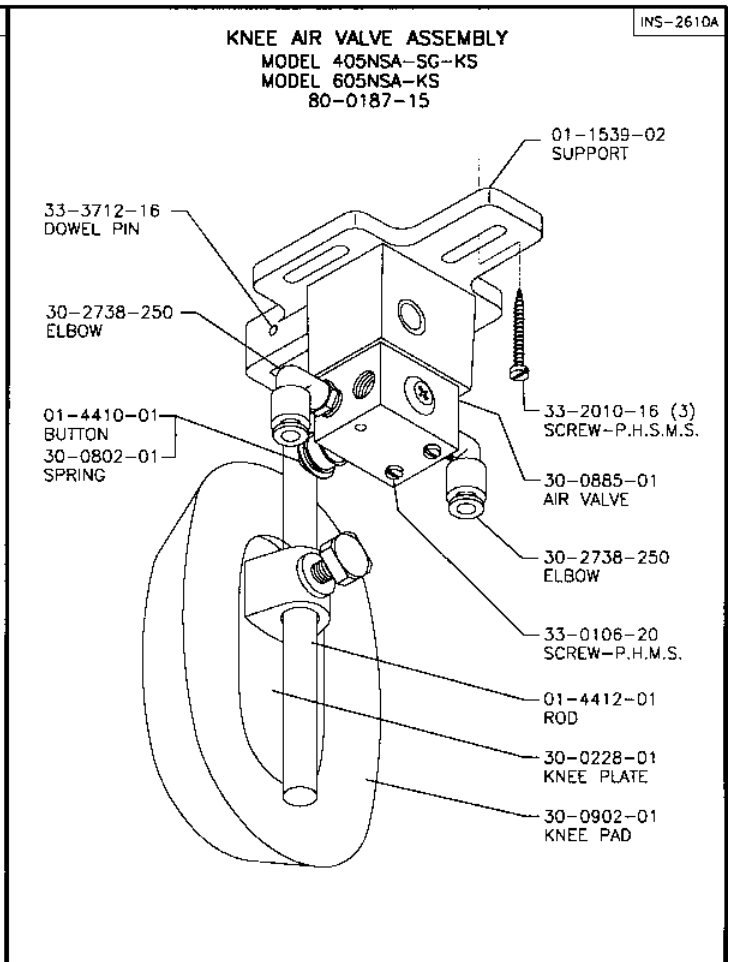
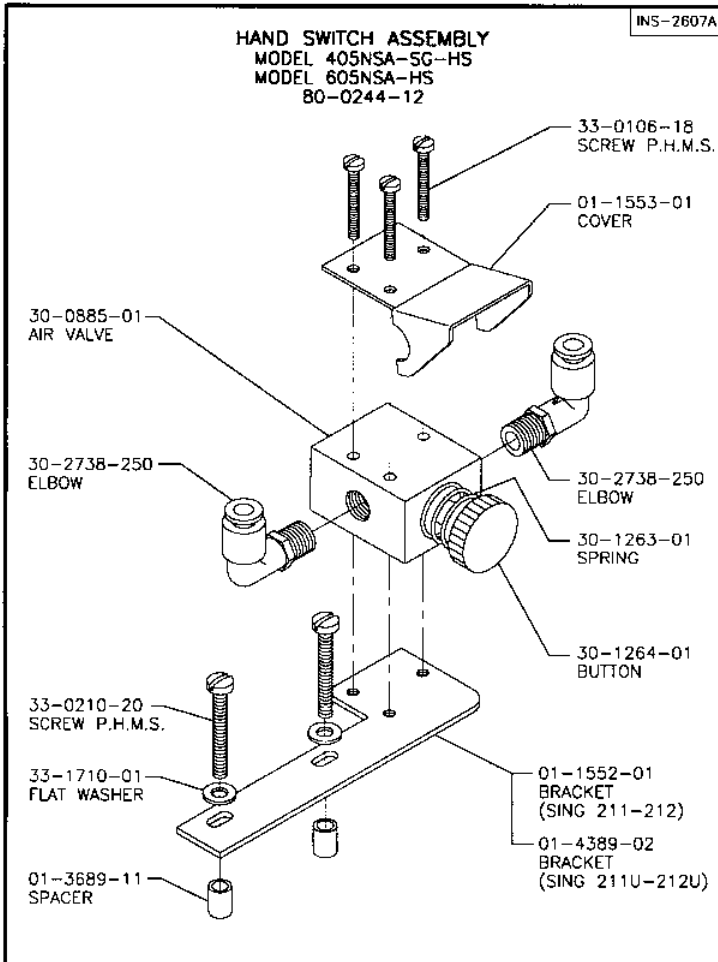
INITIAL SETTING:

Loosen hex nut "A" on the actuator rod, and adjust so that when the guard is parallel to the stationary blade, the valve has shifted the air to the air cylinder.

FINAL SETTING:

Place pencil as shown. Knife should not activate at this position. If the moveable blade does come down, adjust the actuator rod button so that the valve shifts later.

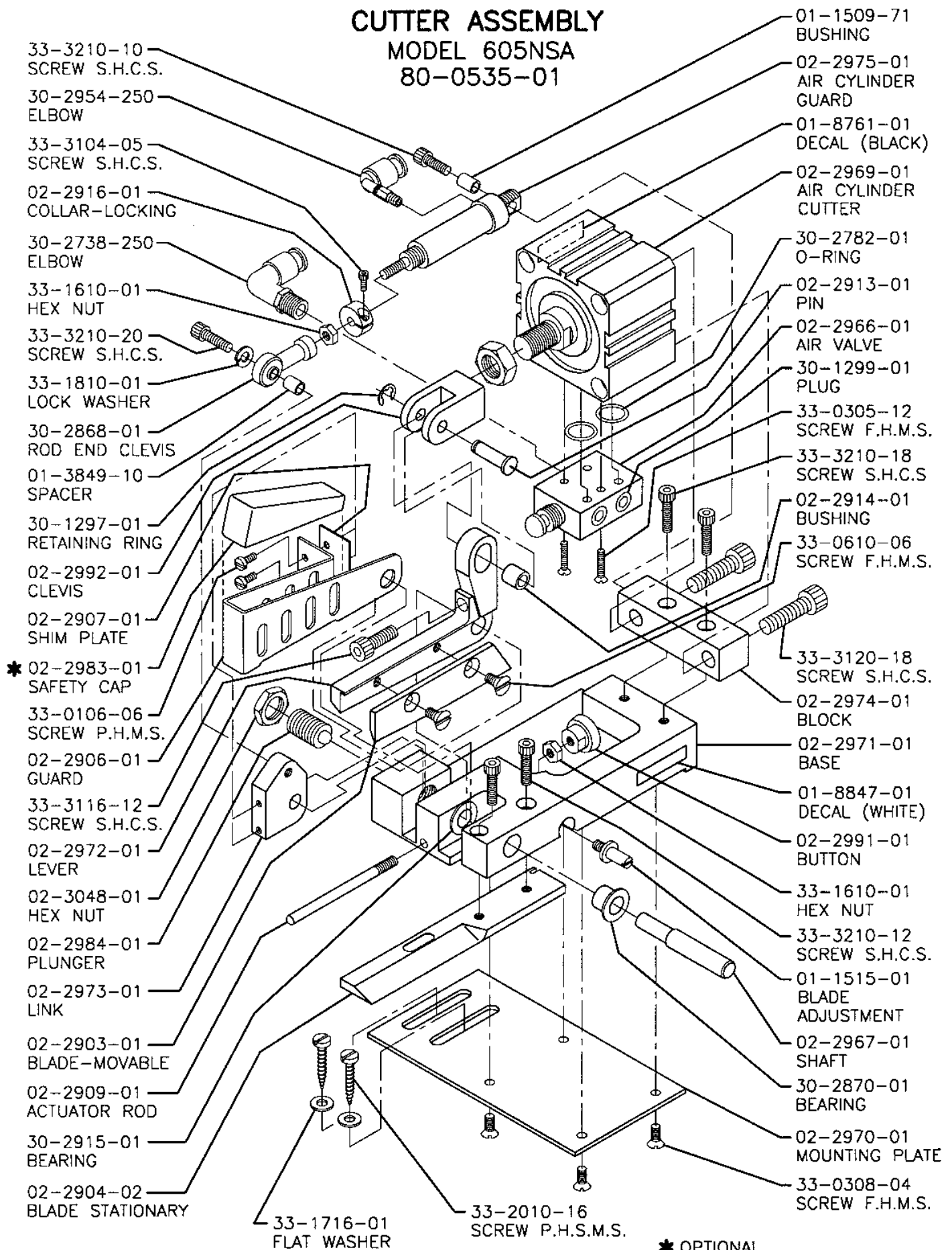




CUTTER ASSEMBLY

MODEL 605NSA

80-0535-01



* OPTIONAL