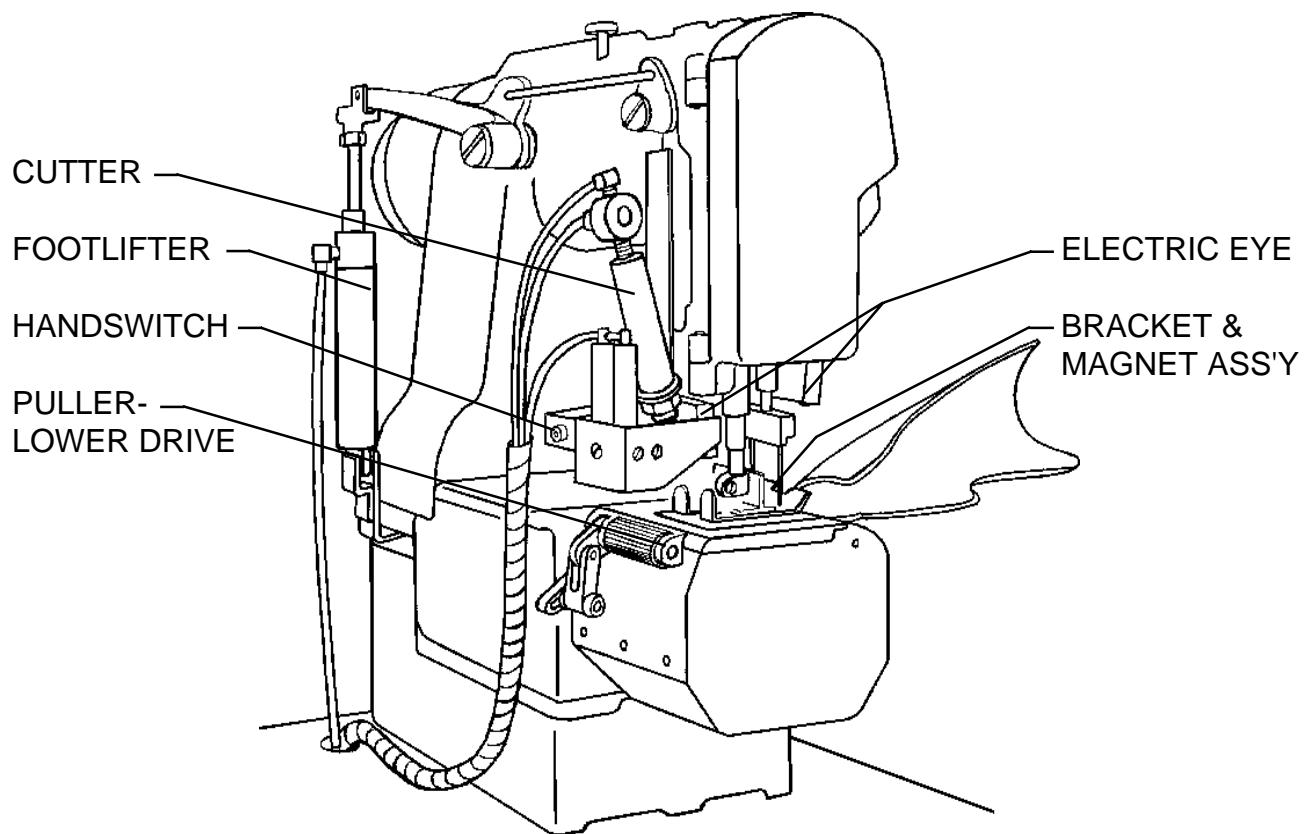


CLINTON SERVICE GUIDE

MODEL 315NA-TA600

FOR

SINGER 302 BANDER

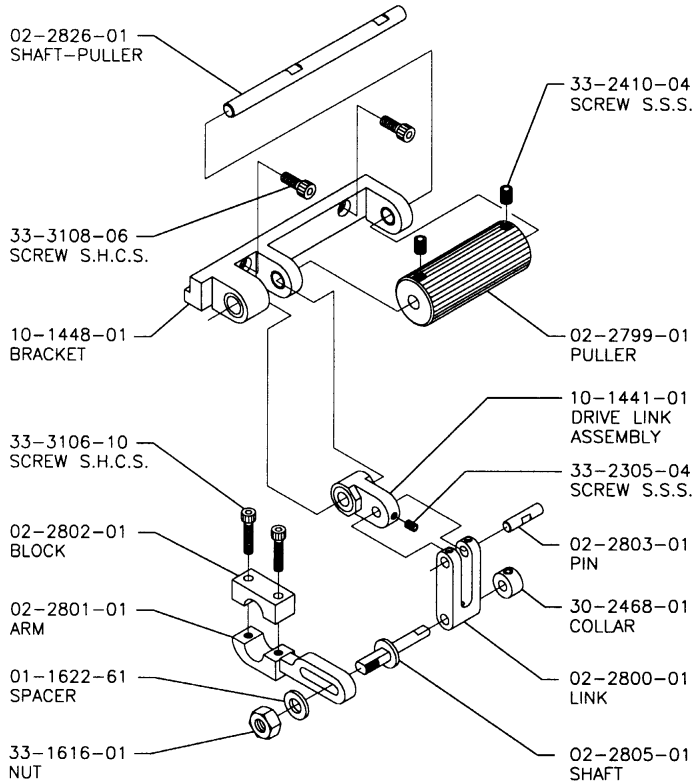


The Clinton Model 315NA-TA600 is an impact thread cutting and waist band puller system especially designed for the Singer 302 Bander. An LCD programmable controller is used with electric eyes to sense the leading and trailing edge of the garment and control foot lifter, cutter, puller, limit speed and maximum speed sewing.



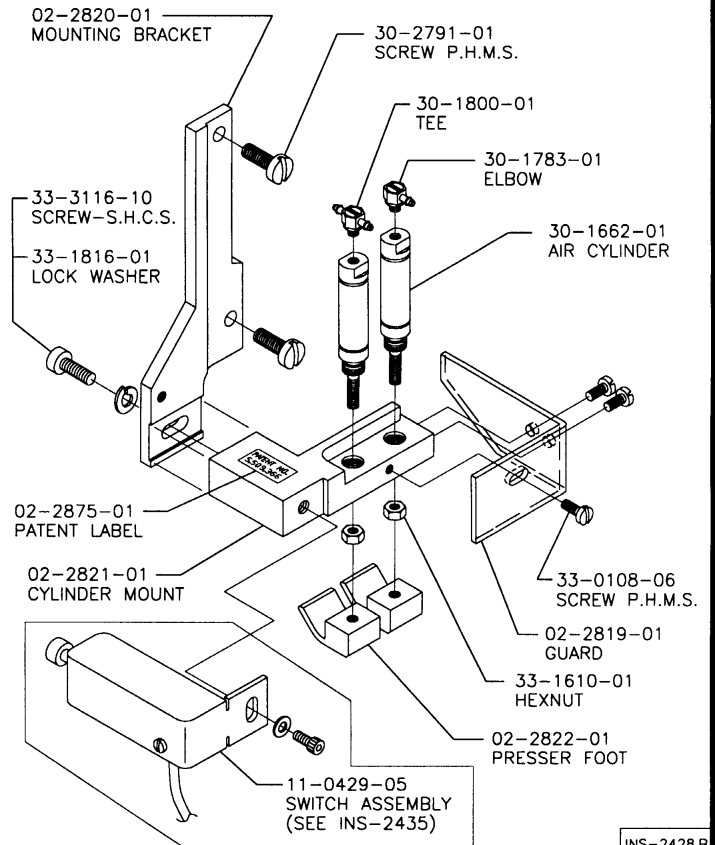
Clinton Industries, Inc.
700 Washington Ave.
Carlstadt, N.J. 07072
Phone: 201-935-4242
Fax: 201-935-3615
www.clintonind.com
E-mail: general@clintonind.com

**PULLER
SINGER 302-BANDER
80-0520-02**



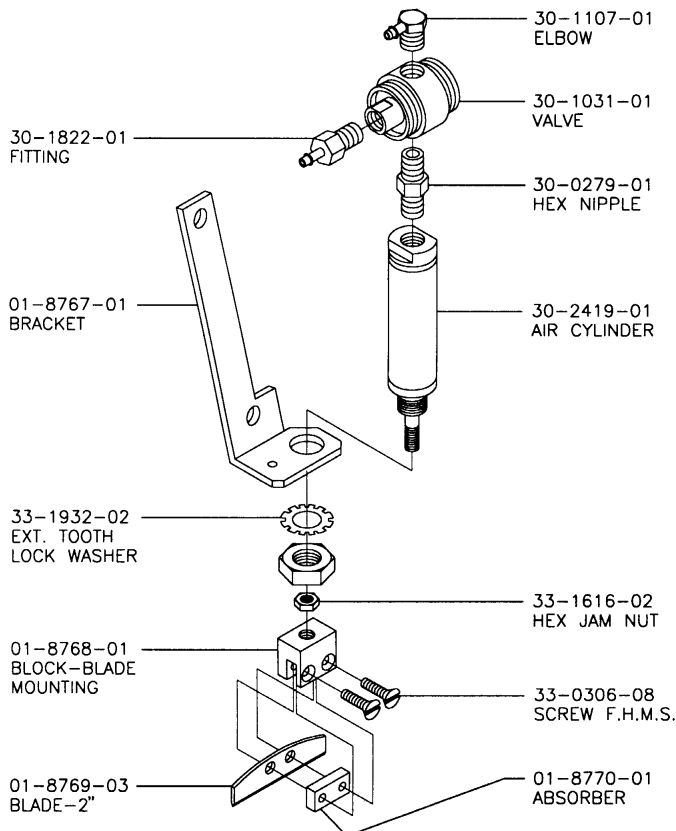
INS-2427 B

**PULLER PRESSURE FEET ASSEMBLY
TA-600
80-0529-01**



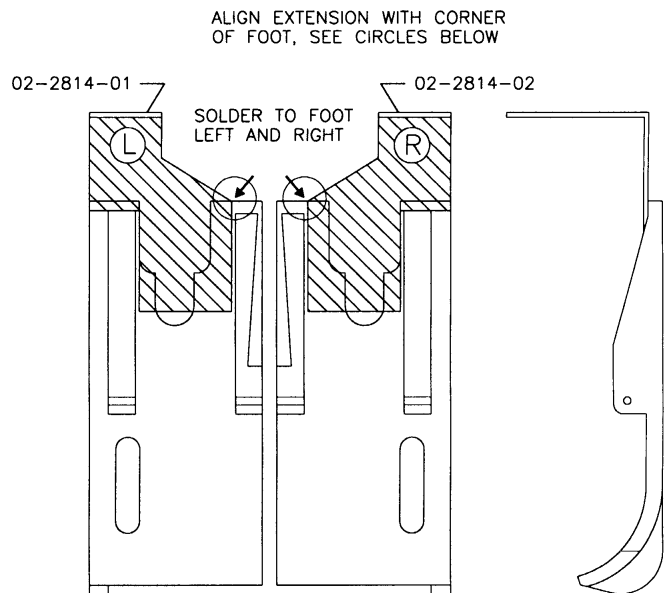
INS-2428 B

**BANDER KNIFE ASSEMBLY
MODEL 315NA
80-0455-04**



ML-315-3

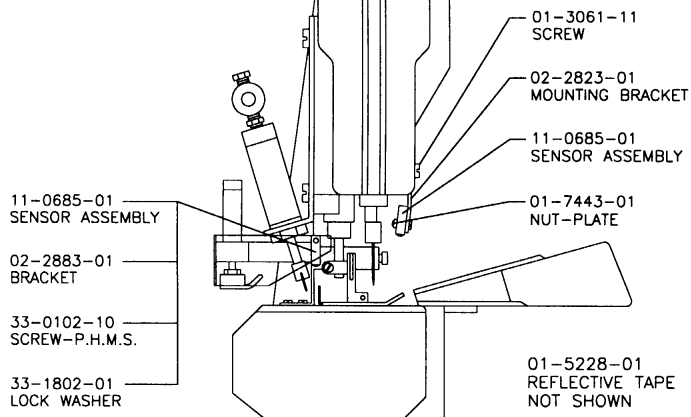
**PRESSER FOOT
SINGER 302 BANDER
10-1446-01**



INS-2426B

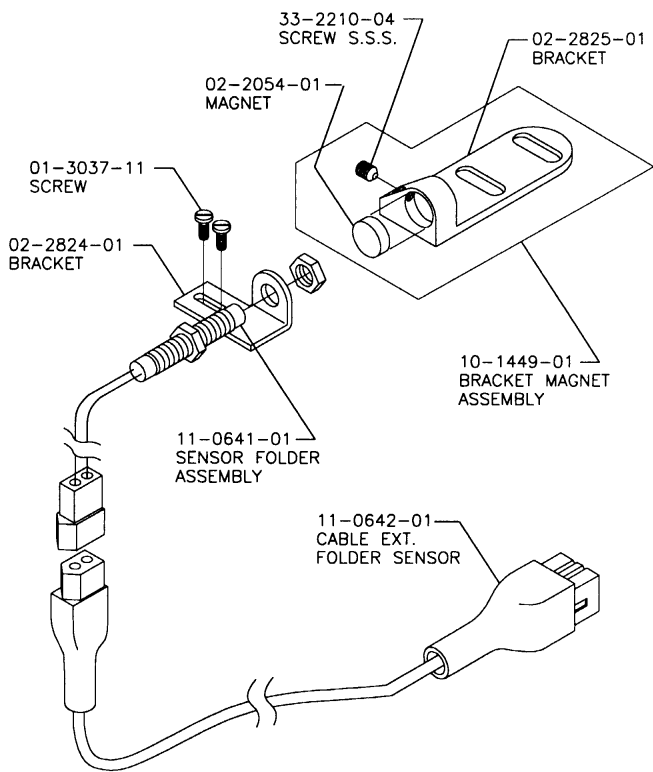
INS-2429C

**SENSOR ASSEMBLY
302 BANDER
81-0842-01**



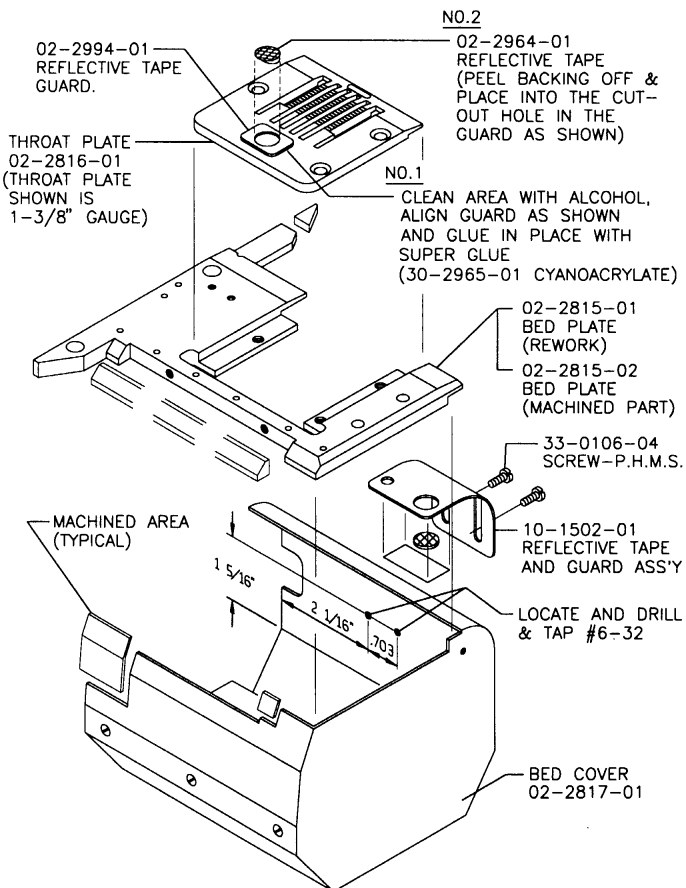
INS-2433A

**FOLDER SENSOR ASSEMBLY
81-0843-01**



INS-2434E

MACHINE MODIFICATIONS



INS-2435

**SWITCH ASSEMBLY
11-0429-05**

