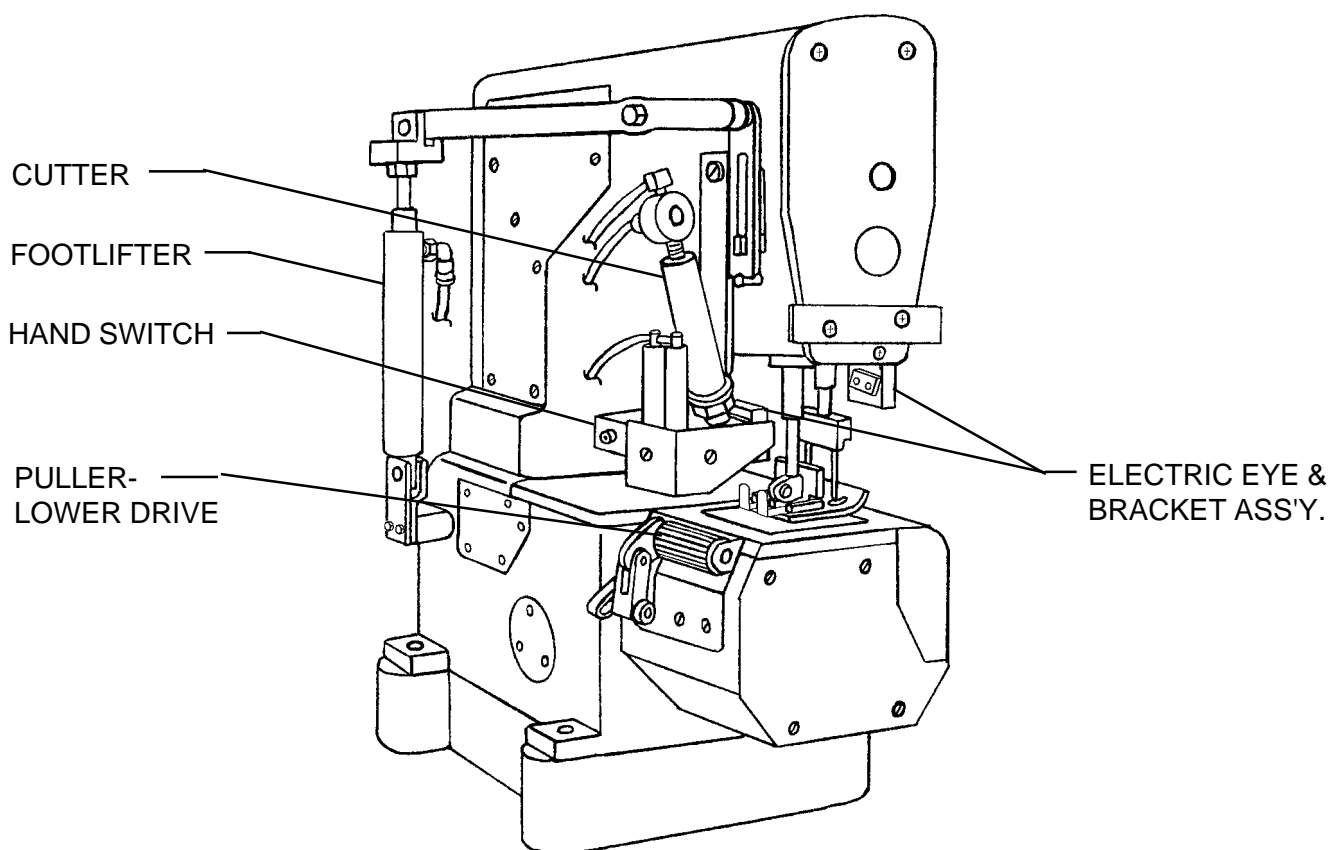


CLINTON SERVICE GUIDE

MODEL 315NA-TA600

FOR

BROTHER DT3-B291 BANDER

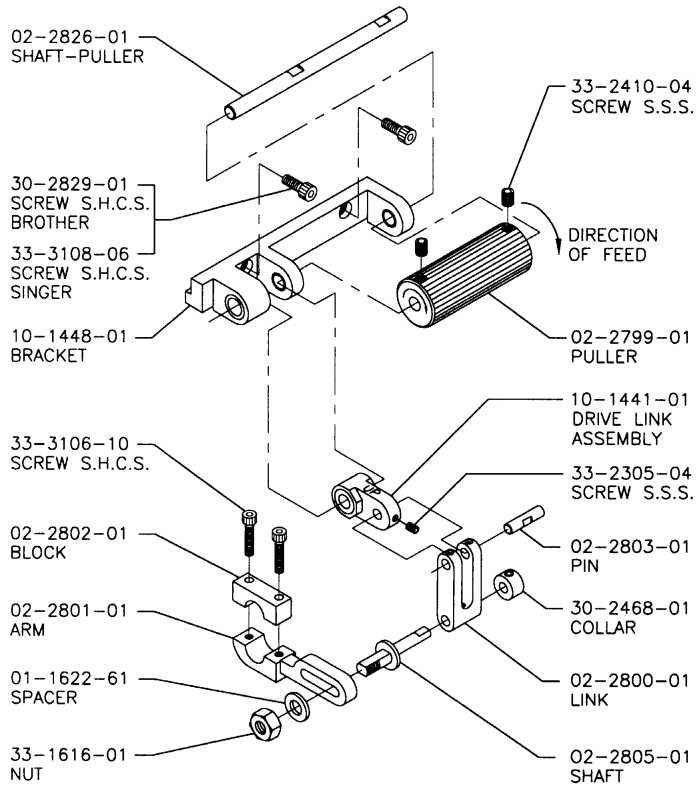


The Clinton Model 315NA-TA600 is an impact thread cutting and waist band puller system especially designed for the Brother DT3-B291 Bander. An LCD programmable controller is used with electric eyes to sense the leading and trailing edge of the garment and control foot lifter, cutter, puller, limit speed and maximum speed sewing.



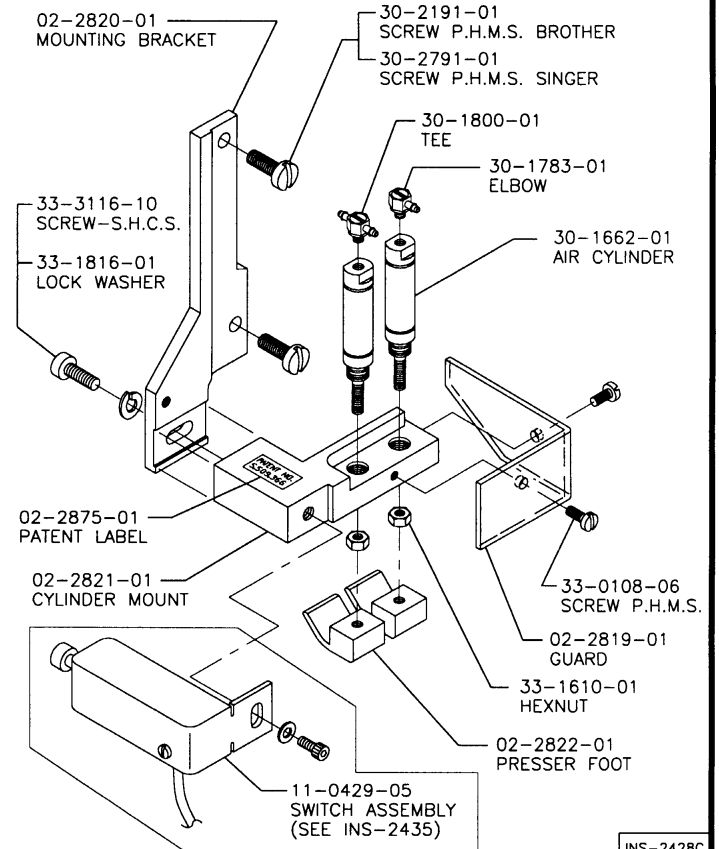
Clinton Industries, Inc.
700 Washington Ave.
Carlstadt, N.J. 07072
Phone: 201-935-4242
Fax: 201-935-3615
www.clintonind.com
E-mail: general@clintonind.com

PULLER ASSEMBLY
 80-0520-02 SINGER 302
 80-0520-04 BROTHER DT3-B291



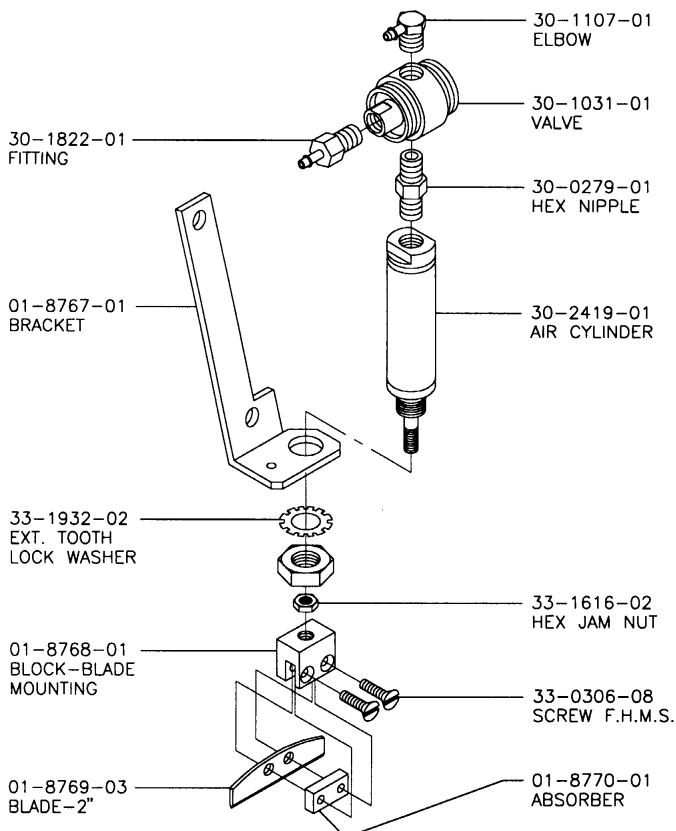
INS-2427D

PULLER PRESSURE FEET ASSEMBLY
 80-0529-01 SINGER 302
 80-0529-02 BROTHER DT3-B291



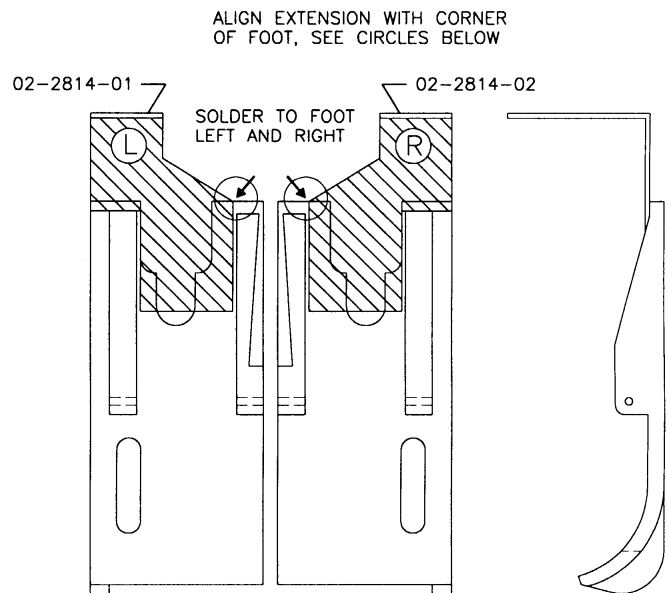
INS-2428C

BANDER KNIFE ASSEMBLY
 MODEL 315NA
 80-0455-04



ML-315-3

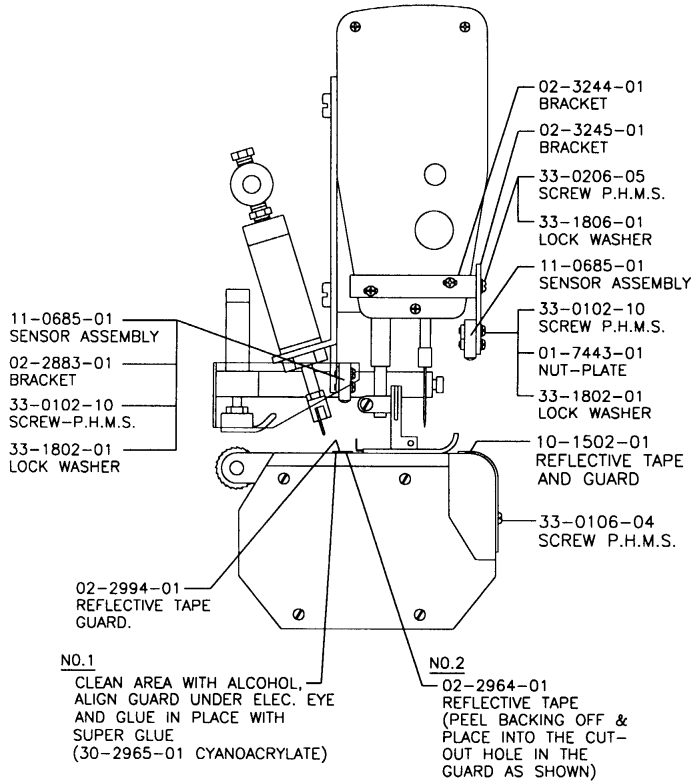
PRESSER FOOT
 SINGER 302 BANDER
 10-1446-01



INS-2426B

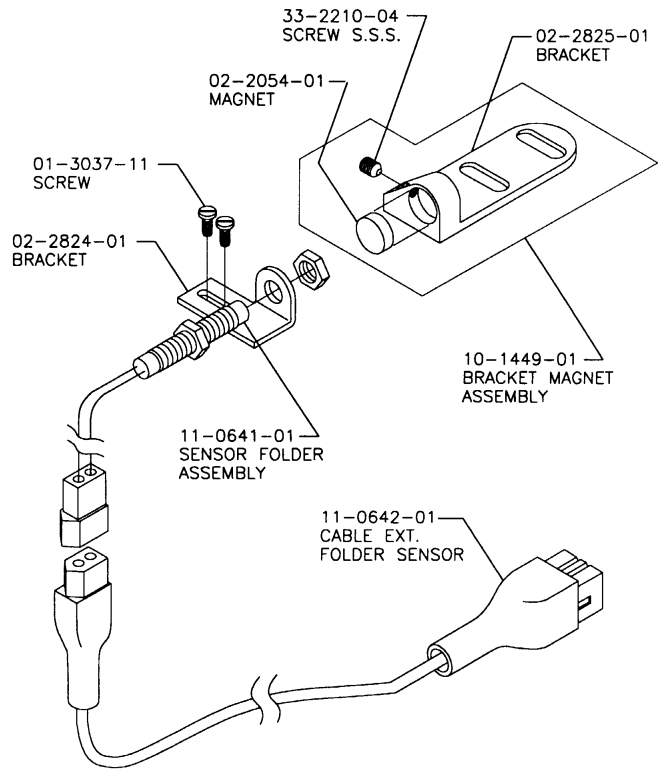
BANDER SENSOR ASSEMBLY
BROTHER DT3-B291
81-0842-04

INS-2698



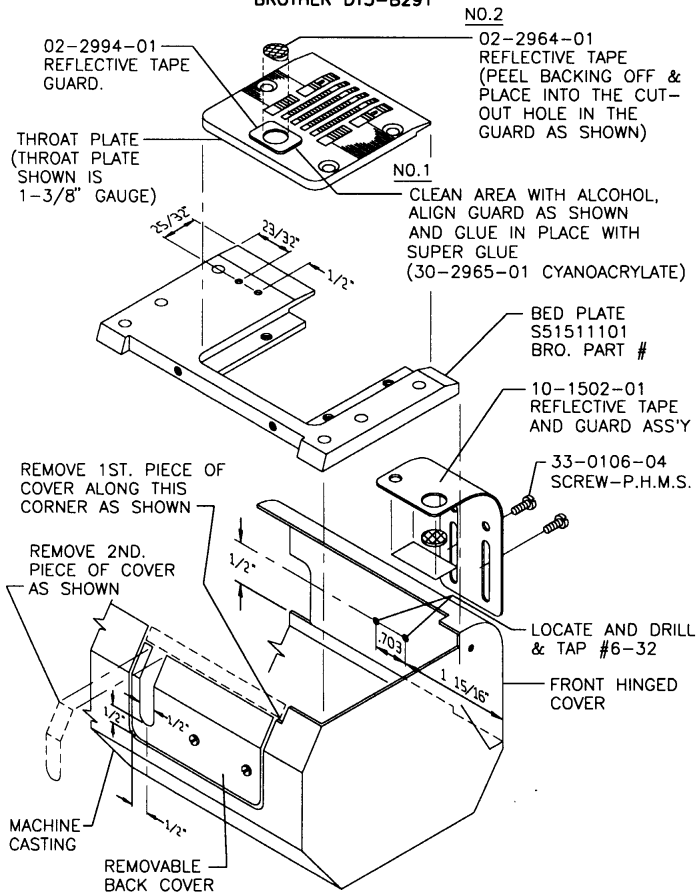
FOLDER SENSOR ASSEMBLY
81-0843-01

INS-2433A



MACHINE MODIFICATIONS
BROTHER DT3-B291

INS-2699



SWITCH ASSEMBLY
11-0429-05

INS-2435

