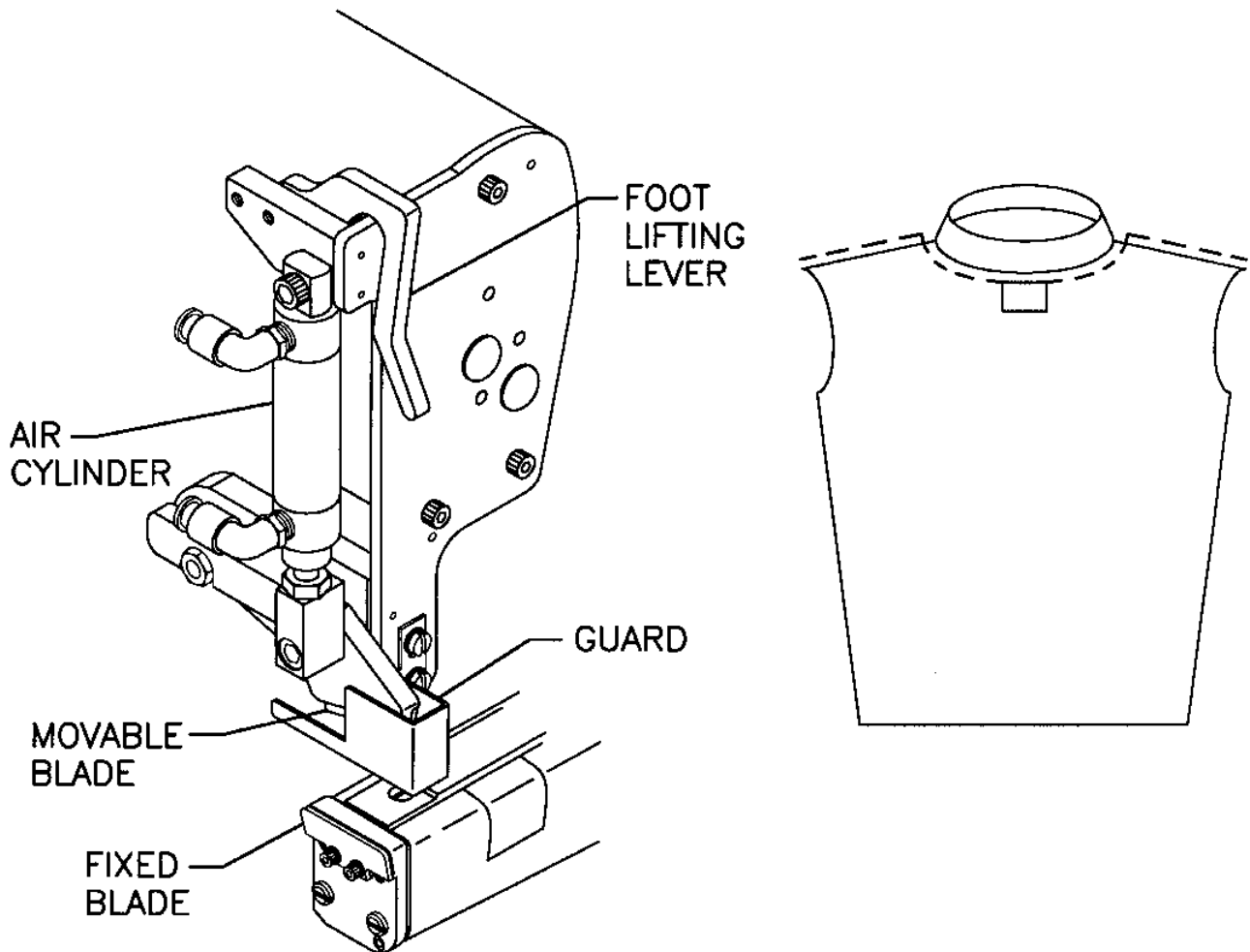


CLINTON SERVICE GUIDE MODEL 117VS-FOTA-KS JUKI MS191, 1190

SHEAR CUTTER FOR SHOULDER TAPING OPERATION



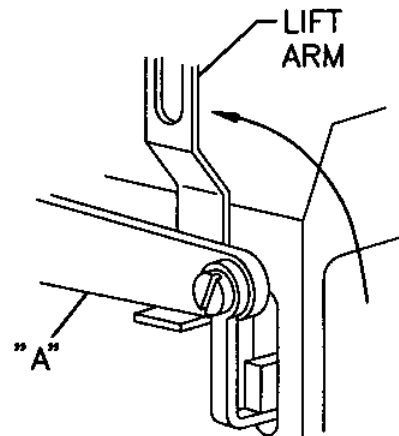
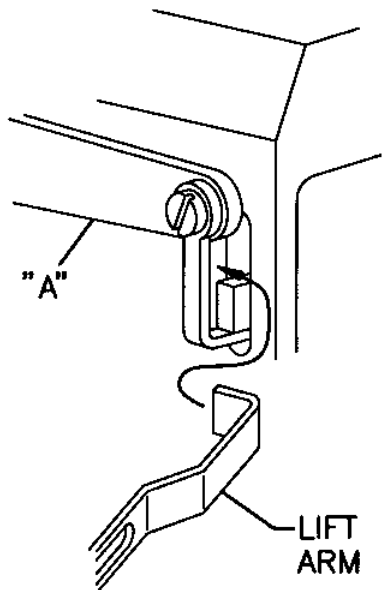
© CLINTON INDUSTRIES, INC.
700 Washington Avenue
Carlstadt, N.J. 07072
Phone: 201-935-4242
FAX: 201-935-3615
Web Site: <http://www.clintonind.com>
Email: general@clintonind.com

DRILLING & INSTALLATION INSTRUCTIONS**STEP 1**

REMOVE EXISTING FACE PLATE AND RETAP THE (3) FACE PLATE HOLES WITH DRILL NO. 21 (30-2130-21) AND TAP 10-32 (30-1875-01) SUPPLIED.

STEP 2

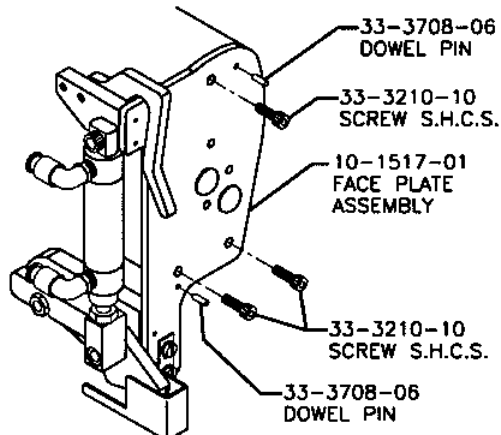
INSTALL THE CUTTER AS A COMPLETE ASSEMBLY. START BY PLACING THE LIFT ARM IN AND WORKING THE LIFT ARM UP AND AROUND BETWEEN THE MACHINE WALL AND BAR "A" AS SHOWN.

**ADJUSTMENTS****WARNING!!**

TO PREVENT SERIOUS INJURY, DISCONNECT AIR SUPPLY BEFORE MAKING ANY ADJUSTMENTS.

STEP 3

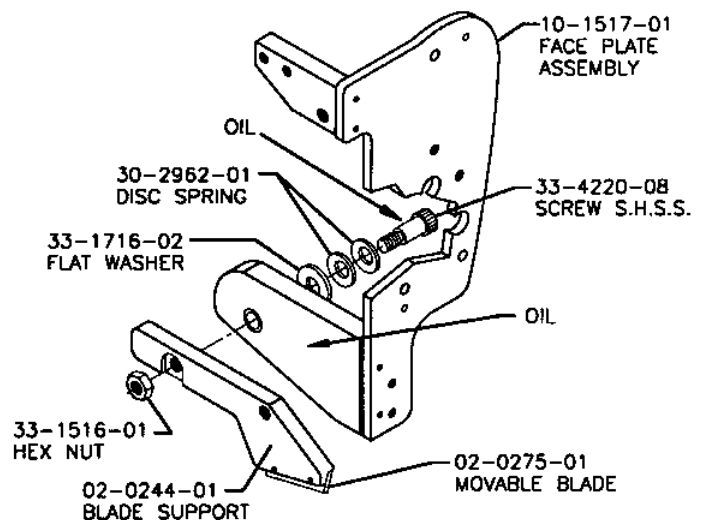
MOUNT VERTICAL SHEAR CUTTER WITH (3) SCREWS 33-3210-10.



NOTE: LATER WHEN THE CUTTER IS INSTALLED COMPLETELY ALONG WITH THE STATIONARY BLADE AND ALL THE ADJUSTMENTS HAVE BEEN MADE AND THE CUTTER IS WORKING PERFECTLY, USE THE DRILLS PROVIDED TO DRILL HOLES FOR THE DOWEL PINS USING THE FACE PLATE HOLES AS THE TEMPLATE. USE DRILL #33 (30-1070-01) FOR THE PILOT HOLES FIRST, 3/16" DEEP. THEN USE 1/8" DIA. (30-2376-08), SAME DEPTH 3/16".

STEP 4

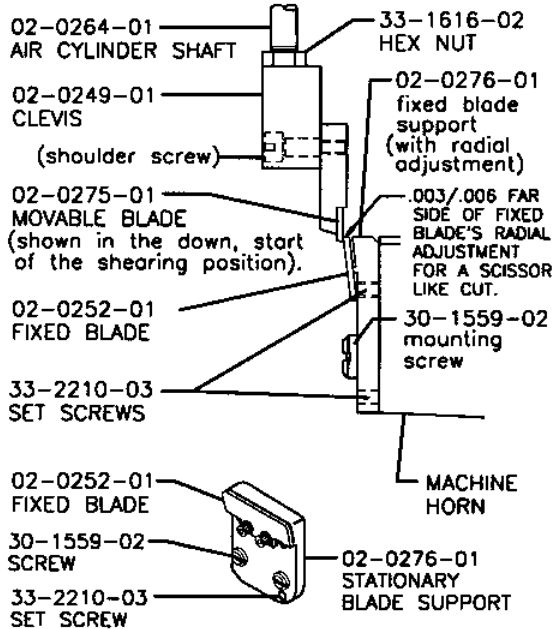
ADJUSTING THE MOVABLE BLADE



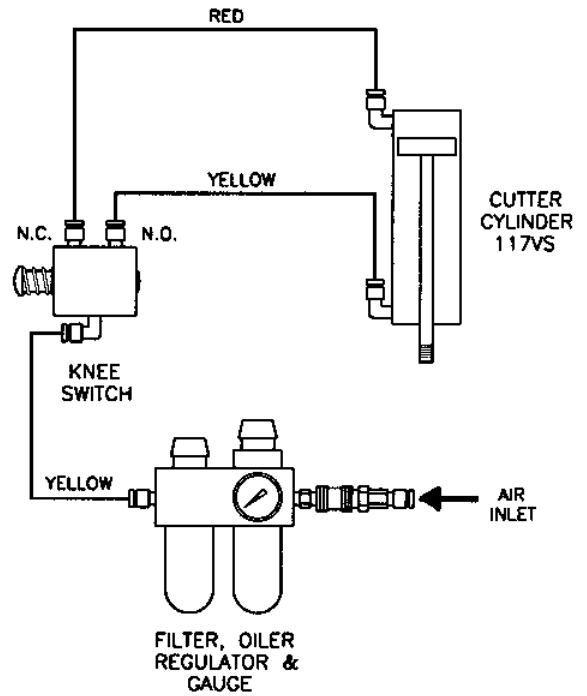
SHOULDER SCREW 33-4220-08 SHOULD BE SCREWED INTO THE BLADE SUPPORT FINGER TIGHT. THE HEX NUT 33-1516-01 IS USED TO LOCK IN THE ADJUSTED CONDITION.

STEP 5 ADJUSTING THE STATIONARY BLADE

IF THE BLADES ARE NOT TOUCHING EACH OTHER, LOOSEN THE THE (2) SCREWS 30-1559-02. THIS WILL ALLOW THE (2) TOP JACK SCREWS 33-2210-03 TO BE TURNED TO MAKE UP ANY ADJUSTMENT.
 ADJUST THE (2) SCREWS 33-2210-03 ON THE RIGHT FOR THE RADIAL ADJUSTMENT OF THE FIXED BLADE AS SHOWN. RETIGHTEN THE (2) SCREWS 30-1559-02. TRY LOWERING THE MOVABLE BLADE SLOWLY (WITHOUT THE AIR BEING ON) FOR TESTING THE SHEARING ACTION. IT MAY REQUIRE SEVERAL ADJUSTMENTS TO GET EXACTLY YOUR CUTTING NEEDS.



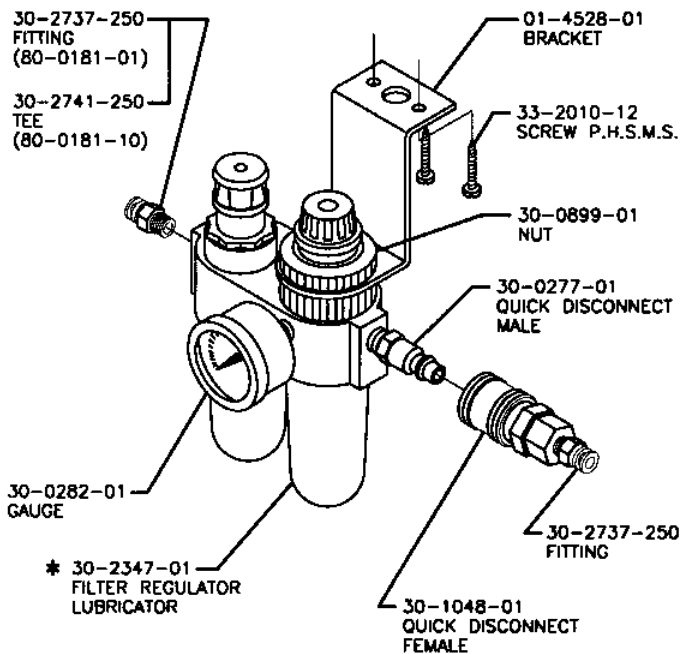
AIR CIRCUIT DIAGRAM
 MODEL 117VS KS
 MODEL 117VS F.O.R.G.-KS



INS-570-3D

FILTER, OILER, REGULATOR, GAUGE ASSEMBLY

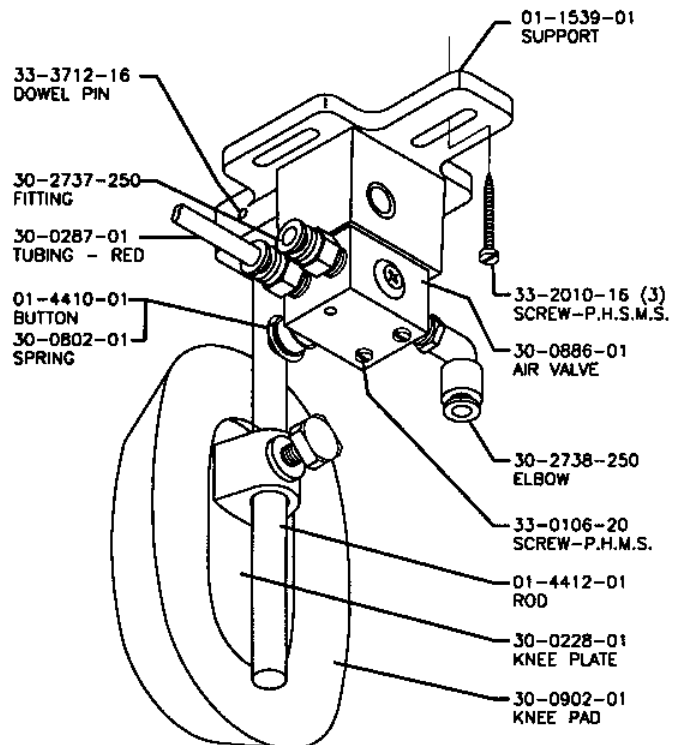
80-0181-01
 80-0181-10



* NOTE: SEE INS-DRAWINGS 2100-1 AND 2100-2 FOR SPARE PARTS

INS-519-1A

4 WAY AIR VALVE, KNEE OPERATED
 80-0185-01



CUTTER ASSEMBLY

MODEL 117VS
JUKI MS191, 1190
80-0539-01

01-3061-11
SCREW (LONG)
01-1509-61
BUSHING (LONG)
02-0254-01
LEVER

33-3210-04
SCREW S.H.C.S.
33-4220-06
SCREW S.H.S.S.

30-2738-250
ELBOW
02-0264-01
AIR CYLINDER

30-2962-01
DISC SPRING
33-1716-02
FLAT WASHER

02-0262-01
BEARING
33-1516-01
HEX NUT

02-0244-01
BLADE SUPPORT
02-0275-01
MOVABLE BLADE

33-1616-02
HEX NUT
02-0249-01
CLEVIS

02-0250-01
SCREW S.H.S.S.
33-1805-01
LOCK WASHER

33-3105-04
SCREW S.H.C.S.
02-0252-01
STATIONARY BLADE

30-1559-02
SCREW

02-0659-01 *
ROD

33-1516-01 *
HEX NUT

02-0256-01 *
ARM-RIBBON
RACK

01-3061-51
SCREW (SHORT)

01-1509-31
BUSHING (SHORT)

02-0247-01
LIFT ARM

10-1517-01
FACE PLATE
ASSEMBLY

33-3210-10
SCREW S.H.C.S.

33-3708-06
DOWEL PIN

33-4220-08
SCREW S.H.S.S.

33-3210-04 *
SCREW S.H.C.S.

30-1509-01
RUBBER PLUG

33-0308-06 *
SCREW F.H.M.S.

02-0657-01 *
NUT PLATE

33-3210-09 *
SCREW S.H.C.S.

02-0255-01 *
FOLDER BRACKET

01-3849-10 *
SPACER

33-3210-10
SCREW S.H.C.S.

33-3708-06
DOWEL PIN

33-0108-04
SCREW P.H.M.S.

33-1708-01
FLAT WASHER

02-0253-01
GUARD

33-0305-04
SCREW F.H.M.S.

02-0245-01
PRESSER FOOT
EXTENSION

33-2210-03
SCREW S.S.S.

02-0276-01
STATIONARY BLADE
SUPPORT

* NOT PART OF 80-0539-01

