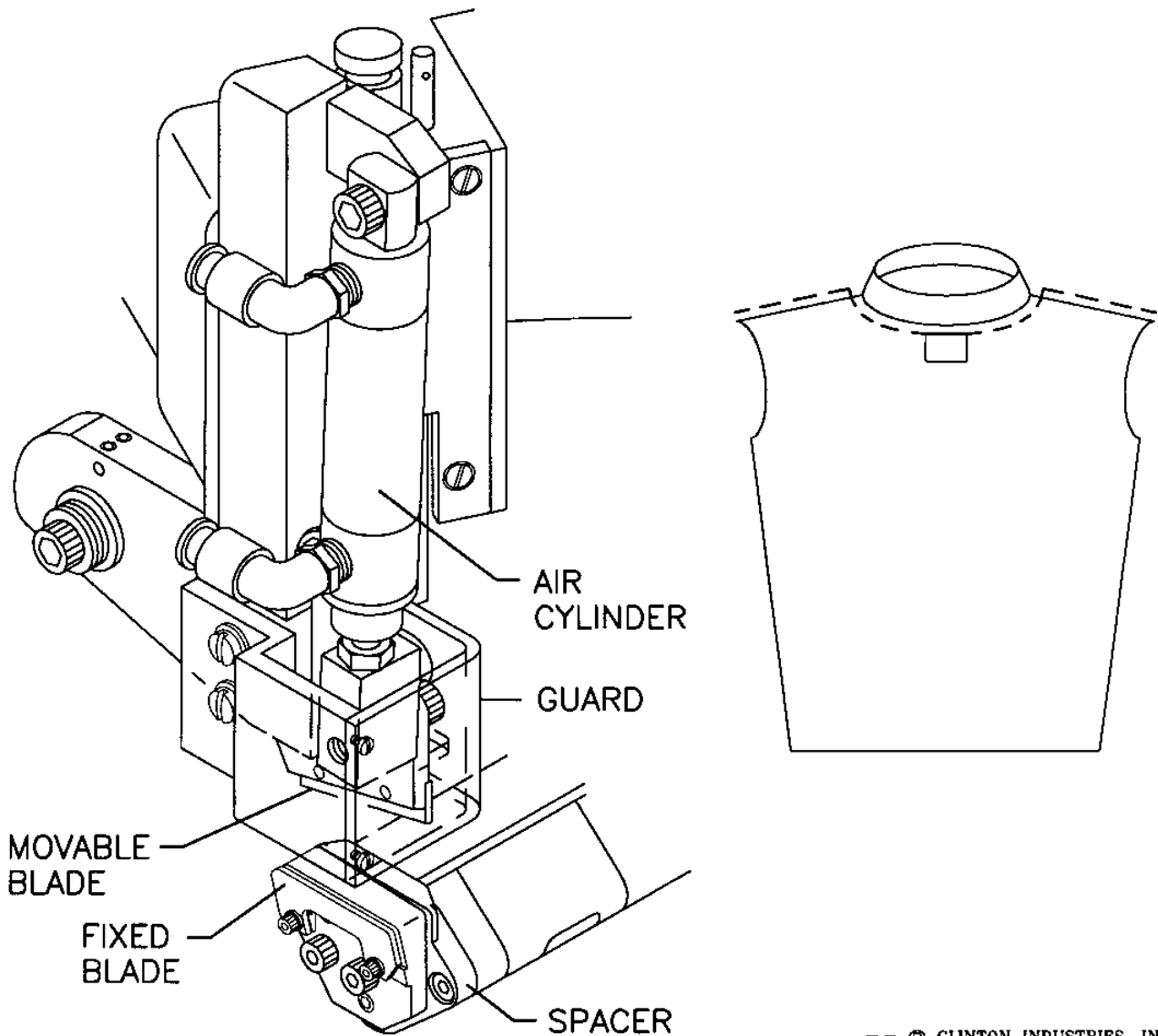


# CLINTON SERVICE GUIDE MODEL 117VS-FOTA-KS PEGASUS FS613

## SHEAR CUTTER FOR SHOULDER TAPING OPERATION



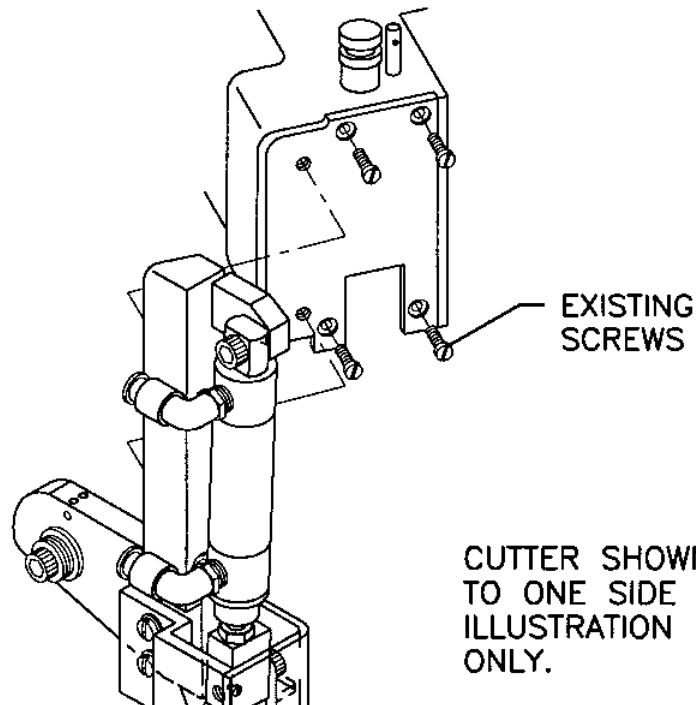
© CLINTON INDUSTRIES, INC.  
700 Washington Avenue  
Carlstadt, N.J. 07072  
Phone: 201-935-4242  
FAX: 201-935-3615  
Web Site: <http://www.clintonind.com>  
Email: [general@clintonind.com](mailto:general@clintonind.com)

## ADJUSTMENTS

**WARNING!!** TO PREVENT SERIOUS INJURY, DISCONNECT AIR SUPPLY BEFORE MAKING ANY ADJUSTMENTS.

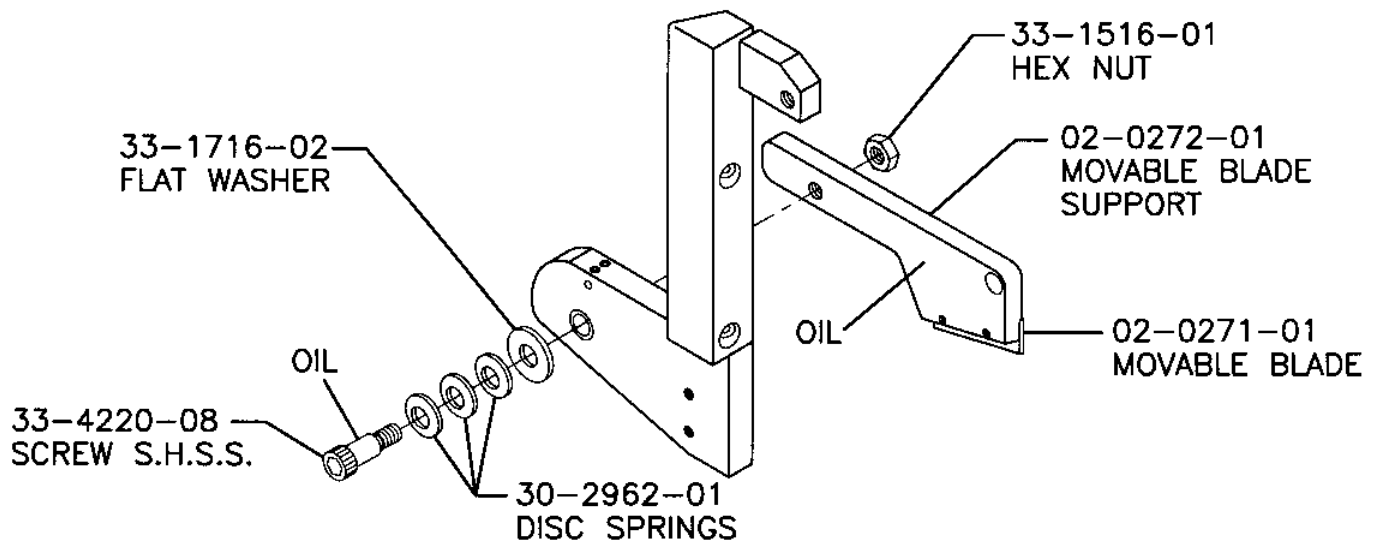
## STEP 1

REMOVE THE OLD EXISTING FACE PLATE. THEN MOUNT THE MODEL 117VS CUTTER AS ONE COMPLETE ASSEMBLY WITH THE (4) EXISTING FACE PLATE SCREWS AS SHOWN.



## STEP 2

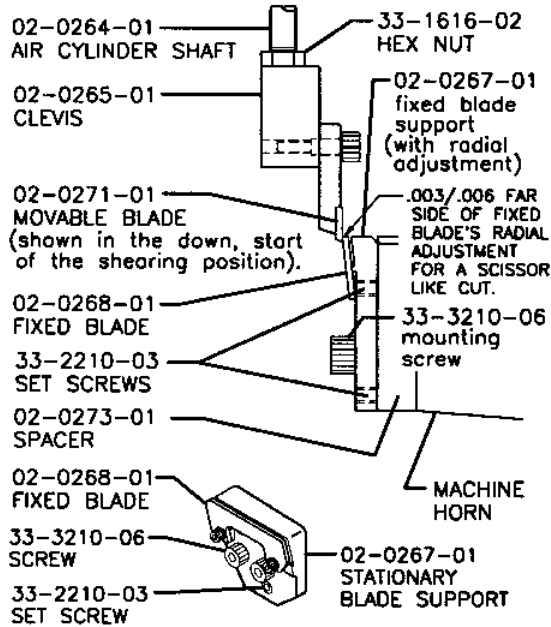
## ADJUSTING THE MOVABLE BLADE



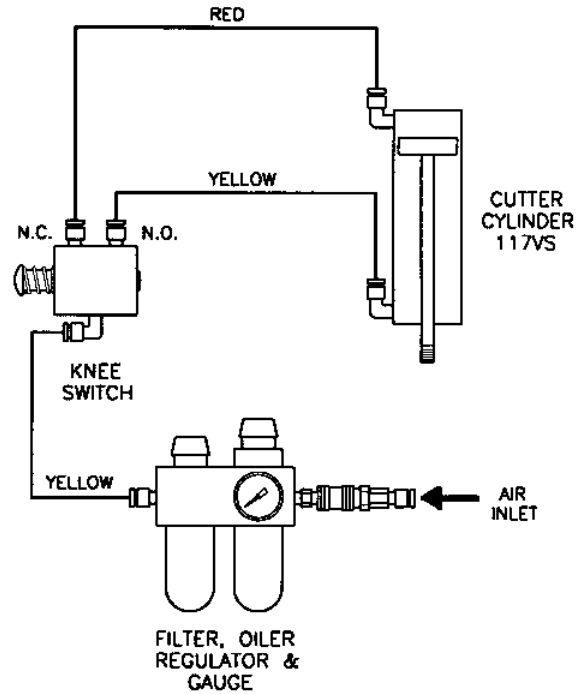
SHOULDER SCREW 33-4220-08 SHOULD BE SCREWED INTO THE BLADE SUPPORT FINGER TIGHT. THE HEX NUT 33-1516-01 IS USED TO LOCK IN THE ADJUSTED CONDITION.

### STEP 3 ADJUSTING THE STATIONARY BLADE

IF THE BLADES ARE NOT TOUCHING EACH OTHER, LOOSEN THE THE (2) SCREWS 33-3210-06. THIS WILL ALLOW THE (2) TOP JACK SCREWS 33-2210-03 TO BE TURNED TO MAKE UP ANY ADJUSTMENT.  
 ADJUST THE (2) SCREWS 33-2210-03 ON THE RIGHT FOR THE RADIAL ADJUSTMENT OF THE FIXED BLADE AS SHOWN. RETIGHTEN THE (2) SCREWS 33-3210-06. TRY LOWERING THE MOVABLE BLADE SLOWLY (WITHOUT THE AIR BEING ON) FOR TESTING THE SHEARING ACTION. IT MAY REQUIRE SEVERAL ADJUSTMENTS TO GET EXACTLY YOUR CUTTING NEEDS.



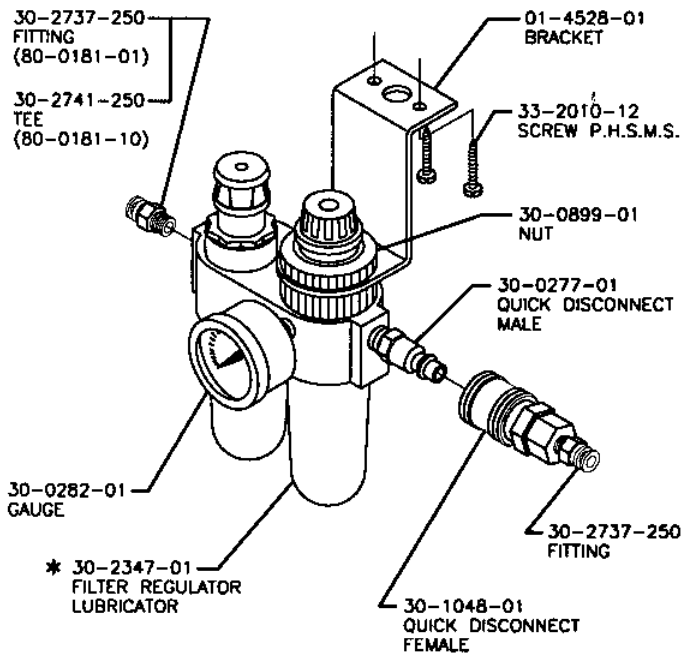
AIR CIRCUIT DIAGRAM  
 MODEL 117VS KS  
 MODEL 117VS F.O.R.G.-KS



INS-570-3D

#### FILTER, OILER, REGULATOR, GAUGE ASSEMBLY

80-0181-01  
 80-0181-10

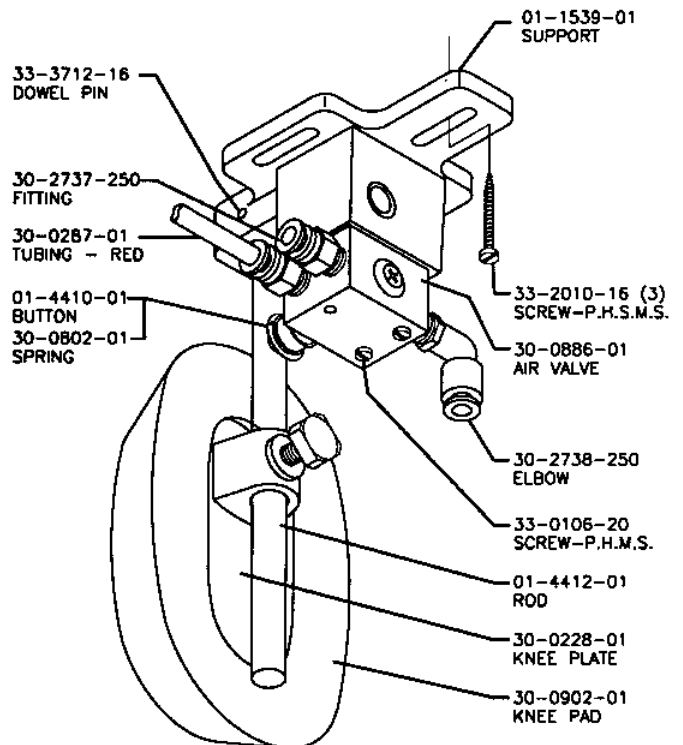


\* NOTE: SEE INS-DRAWINGS 2100-1 AND 2100-2 FOR SPARE PARTS

INS-619-1A

#### 4 WAY AIR VALVE, KNEE OPERATED

80-0185-01



## CUTTER ASSEMBLY

MODEL 117VS  
 PEGASUS FS613  
 80-0539-04

