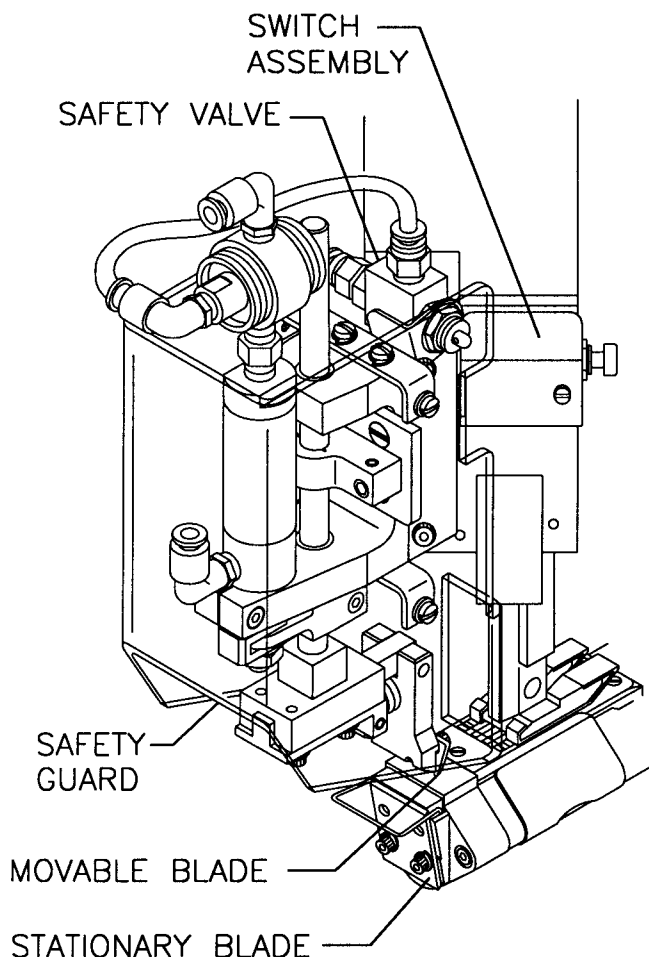


# CLINTON SERVICE GUIDE

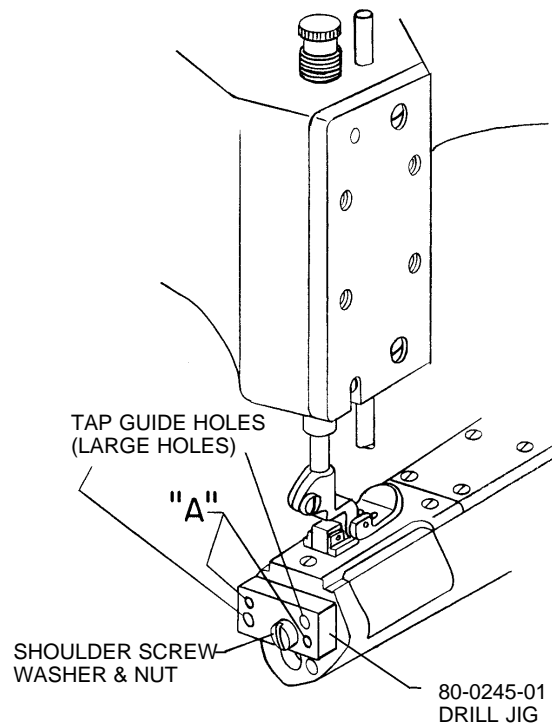
## MODEL 115VS-FOTA-KS

### FOR

## YAMATO FD-62



### DRILLING INSTRUCTIONS CHAIN CUTTER MODEL 115VS FOTA



1. PLACE THE DRILL JIG ON THE MACHINE AS SHOWN.
2. ALIGN THE TOP OF THE DRILL JIG WITH THE TOP OF THE MACHINE BED.
3. TIGHTEN THE LOCKNUT ON END OF SHOULDER SCREW.
4. DRILL (2) TWO HOLES MARKED "A" WITH #29 DRILL (30-2130-29) SUPPLIED.
5. LOOSEN THE LOCKNUT AND REALIGN THE JIG SO THE TAPPING GUIDE HOLES WILL ALIGN WITH THE DRILLED HOLES.
6. TAP THE HOLES WITH AN 8-32 TAP (30-1266-01) USING THE TAP GUIDE HOLES TO GUIDE THE TAP STRAIGHT.
7. REMOVE THE DRILL JIG.

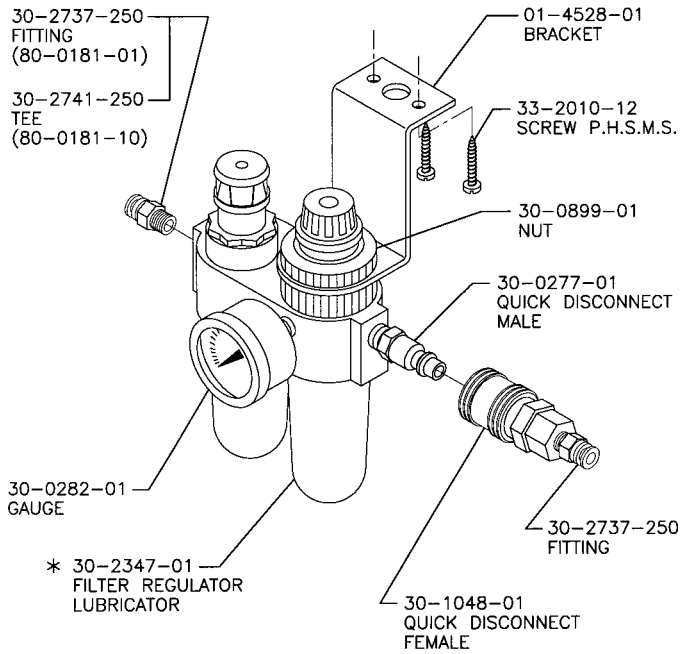


Clinton Industries, Inc.  
700 Washington Ave.  
Carlstadt, N.J. 07072  
Phone: 201-935-4242  
Fax: 201-935-3615  
www.clintonind.com  
E-mail: general@clintonind.com

# INSTALLATION INSTRUCTIONS

## FILTER, OILER, REGULATOR & GAUGE ASSEMBLY

80-0181-01  
80-0181-10

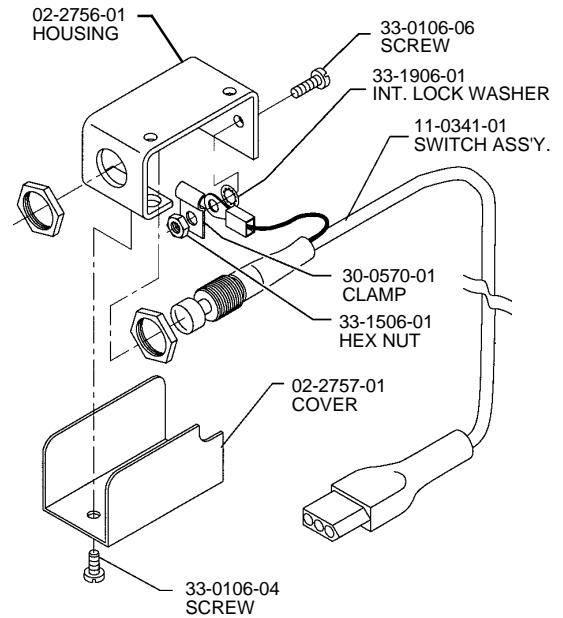


\* NOTE: SEE INS-DRAWINGS 2100-1 AND 2100-2 FOR SPARE PARTS

INS-570-3D

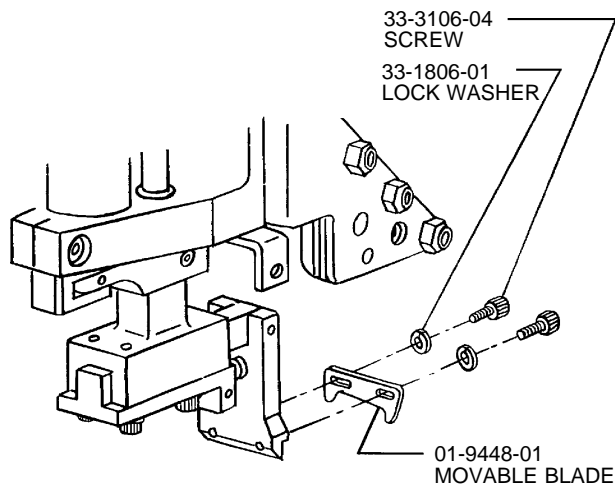
## SWITCH ASSEMBLY

11-0429-03



INS-2396

## MOVABLE BLADE

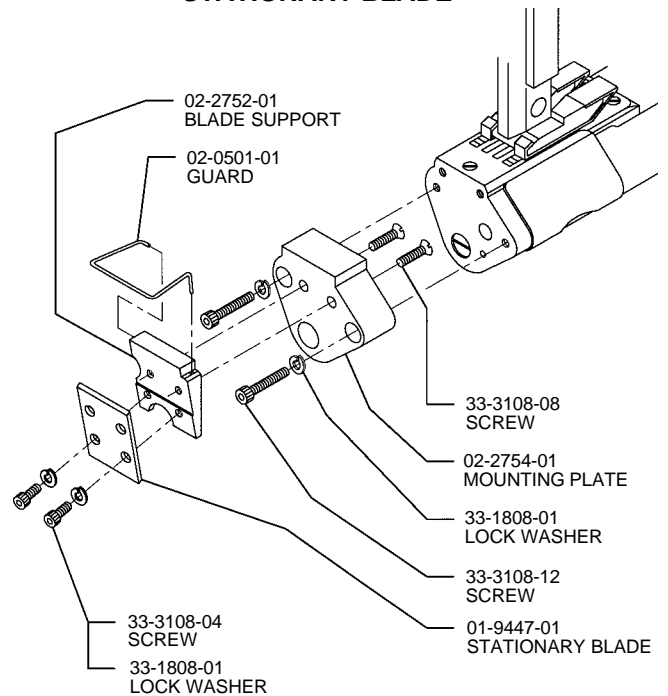


### NOTES:

1. ASSEMBLE MOVABLE BLADE 01-9448-01 WITH SCREWS (2) 33-3106-04 AND LOCK WASHERS (2) 33-1806-01.
2. DO NOT TIGHTEN MOVABLE BLADE SCREWS AT THIS TIME. REFER TO ALIGNMENT ADJUSTMENT.

INS-2297

## STATIONARY BLADE



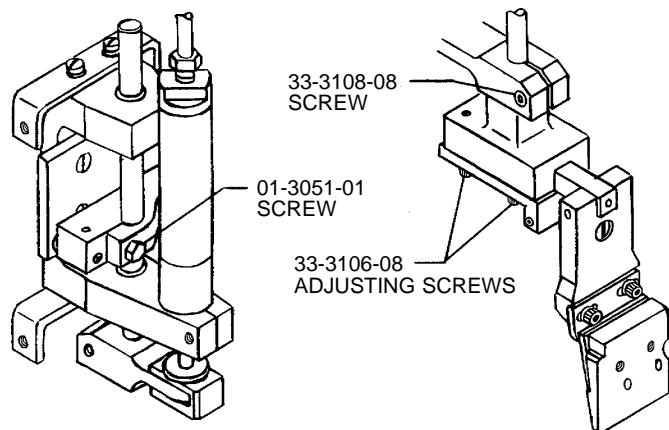
NOTE:  
ASSEMBLE STATIONARY BLADE AS SHOWN

INS-2390

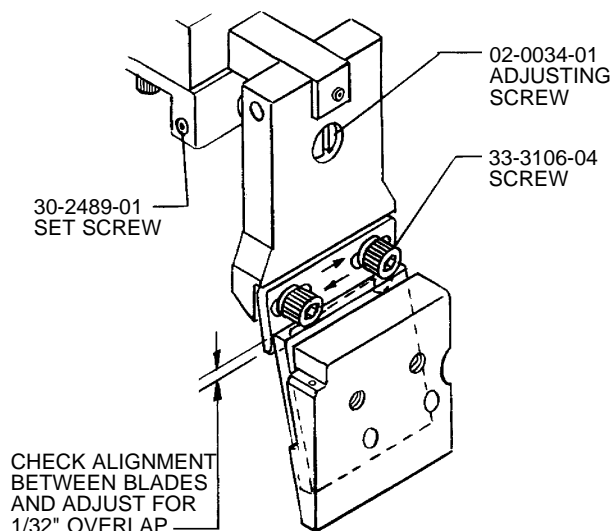
**ADJUSTMENTS**

**WARNING!! TO PREVENT SERIOUS INJURY, DISCONNECT AIR SUPPLY BEFORE MAKING ANY ADJUSTMENTS.**

**RADIAL**



**ALIGNMENT**



**NOTES:**

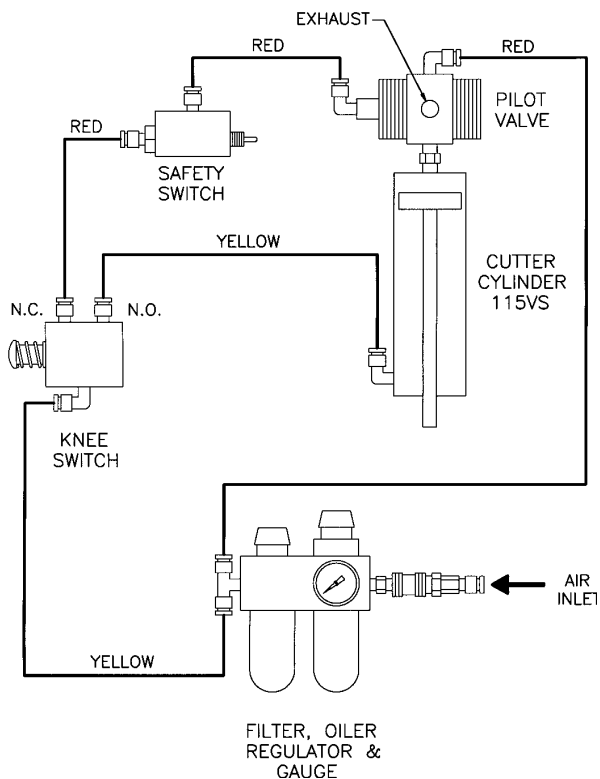
1. LOOSEN SCREW 01-3051-01 AND 33-3108-08 AND ROTATE ASSEMBLY FOR PROPER ENGAGEMENT.
2. LOOSEN SCREWS 33-3106-08 AND ADJUST MOVABLE BLADE AGAINST STATIONARY BLADE AND LOCK IN PLACE.

**NOTE:**

LOOSEN SET SCREW 30-2489-01 AND ADJUST SCREW 02-0034-01 COUNTER-CLOCKWISE FOR MORE CUTTING EDGE ENGAGEMENT.

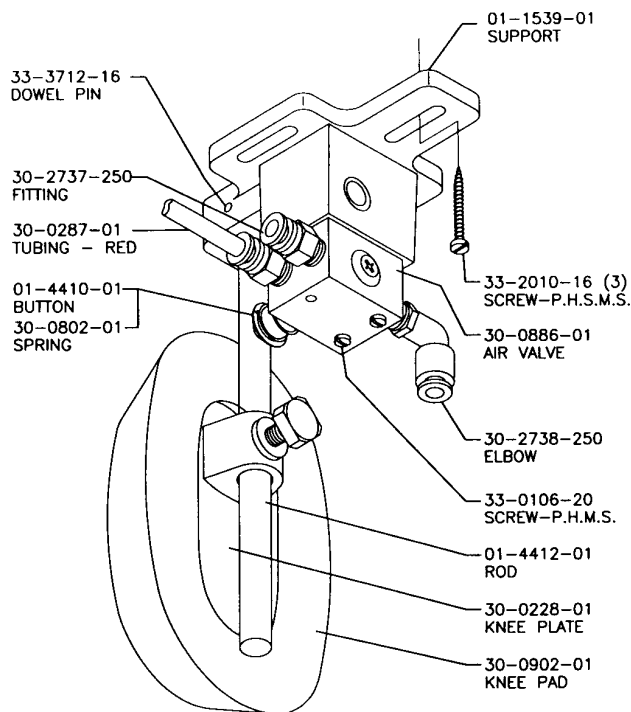
**AIR CIRCUIT DIAGRAM**

ML115VS-9E

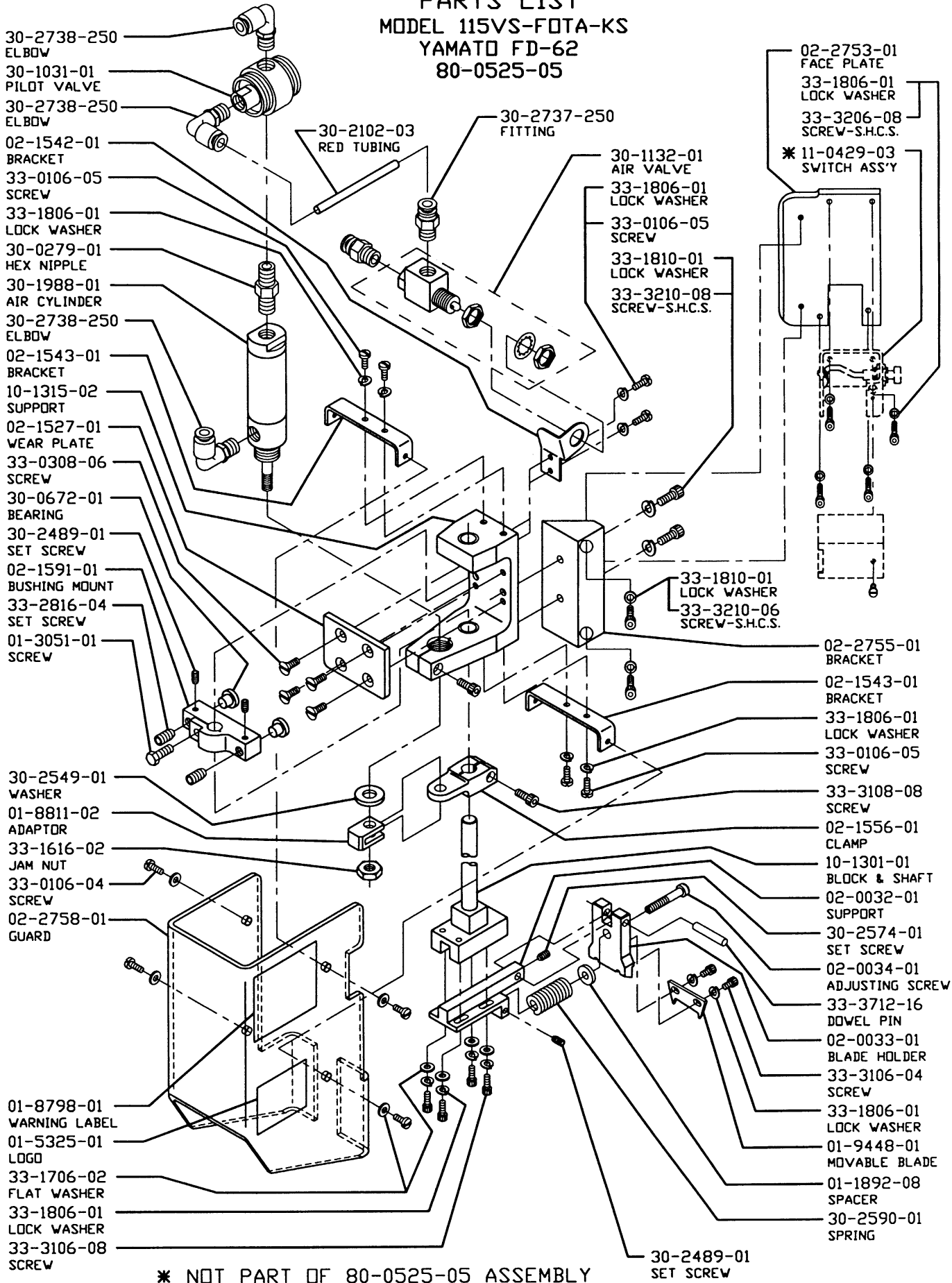


**4 WAY AIR VALVE, KNEE OPERATED 80-0185-01**

INS-619-1A



**PARTS LIST**  
**MODEL 115VS-FOTA-KS**  
**YAMATO FD-62**  
**80-0525-05**



- 30-2738-250 ELBOW
- 30-1031-01 PILOT VALVE
- 30-2738-250 ELBOW
- 02-1542-01 BRACKET
- 33-0106-05 SCREW
- 33-1806-01 LOCK WASHER
- 30-0279-01 HEX NIPPLE
- 30-1988-01 AIR CYLINDER
- 30-2738-250 ELBOW
- 02-1543-01 BRACKET
- 10-1315-02 SUPPORT
- 02-1527-01 WEAR PLATE
- 33-0308-06 SCREW
- 30-0672-01 BEARING
- 30-2489-01 SET SCREW
- 02-1591-01 BUSHING MOUNT
- 33-2816-04 SET SCREW
- 01-3051-01 SCREW
- 30-2549-01 WASHER
- 01-8811-02 ADAPTOR
- 33-1616-02 JAM NUT
- 33-0106-04 SCREW
- 02-2758-01 GUARD
- 01-8798-01 WARNING LABEL
- 01-5325-01 LOGO
- 33-1706-02 FLAT WASHER
- 33-1806-01 LOCK WASHER
- 33-3106-08 SCREW

\* NOT PART OF 80-0525-05 ASSEMBLY

- 30-2102-03 RED TUBING
- 30-2737-250 FITTING
- 30-1132-01 AIR VALVE
- 33-1806-01 LOCK WASHER
- 33-0106-05 SCREW
- 33-1810-01 LOCK WASHER
- 33-3210-08 SCREW-S.H.C.S.

- 02-2753-01 FACE PLATE
- 33-1806-01 LOCK WASHER
- 33-3206-08 SCREW-S.H.C.S.
- \* 11-0429-03 SWITCH ASS'Y

- 33-1810-01 LOCK WASHER
- 33-3210-06 SCREW-S.H.C.S.

- 02-2755-01 BRACKET
- 02-1543-01 BRACKET
- 33-1806-01 LOCK WASHER
- 33-0106-05 SCREW
- 33-3108-08 SCREW
- 02-1556-01 CLAMP
- 10-1301-01 BLOCK & SHAFT
- 02-0032-01 SUPPORT
- 30-2574-01 SET SCREW
- 02-0034-01 ADJUSTING SCREW
- 33-3712-16 DOWEL PIN
- 02-0033-01 BLADE HOLDER
- 33-3106-04 SCREW
- 33-1806-01 LOCK WASHER
- 01-9448-01 MOVABLE BLADE
- 01-1892-08 SPACER
- 30-2590-01 SPRING

- 30-2489-01 SET SCREW