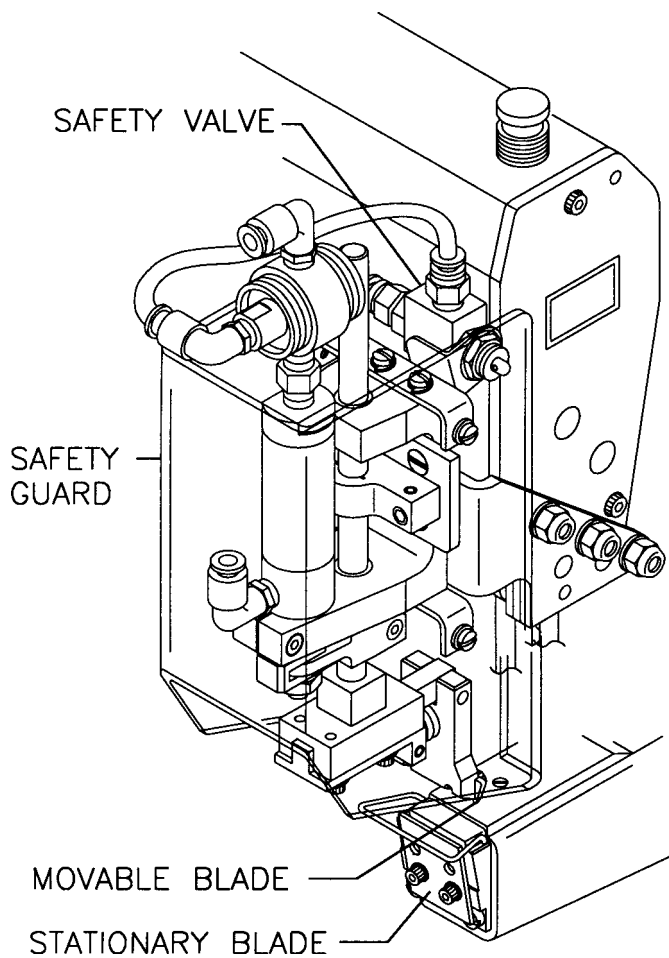


CLINTON SERVICE GUIDE

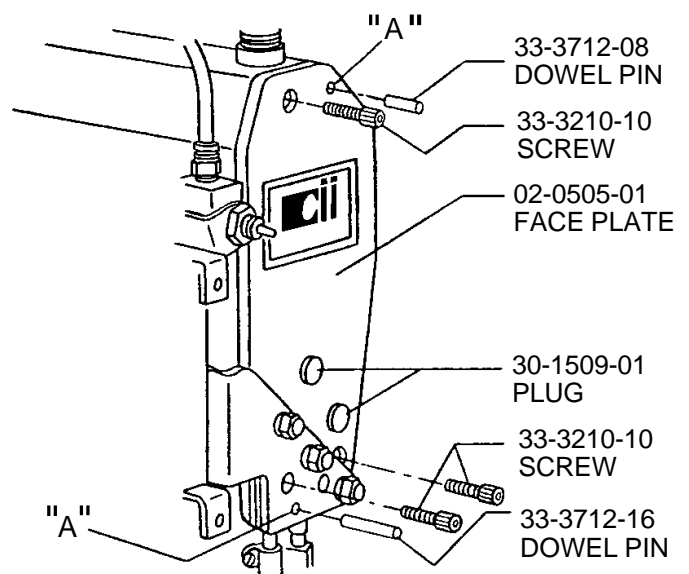
MODEL 115VS-FOTA-KS

FOR

JUKI MS191, 1190, 1190M



CUTTER ASSEMBLY



NOTES:

1. REMOVE EXISTING FACE PLATE AND RETAP (3) HOLES WITH DRILL NO.21 (30-2130-21) AND TAP 10-32 (30-1875-01) SUPPLIED.
2. MOUNT VERTICAL SHEAR CUTTER WITH (3) SCREWS 33-3210-10.
3. USING HOLES MARKED "A" AS A GUIDE, DRILL (2) HOLES 3/16" DIAMETER BY 3/16" DEEP. 3/16" DRILL (30-2376-12) SUPPLIED.
4. INSERT DOWEL PINS (1) 33-3712-08 UPPER SIDE, AND (1) 33-3712-16 LOWER SIDE.

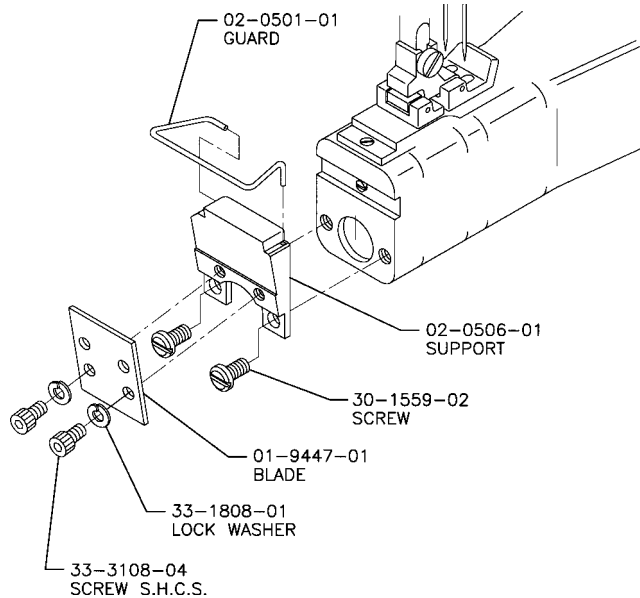


Clinton Industries, Inc.
700 Washington Ave.
Carlstadt, N.J. 07072
Phone: 201-935-4242
Fax: 201-935-3615
www.clintonind.com
E-mail: general@clintonind.com

INSTALLATION & ADJUSTMENTS INSTRUCTIONS

STATIONARY BLADE

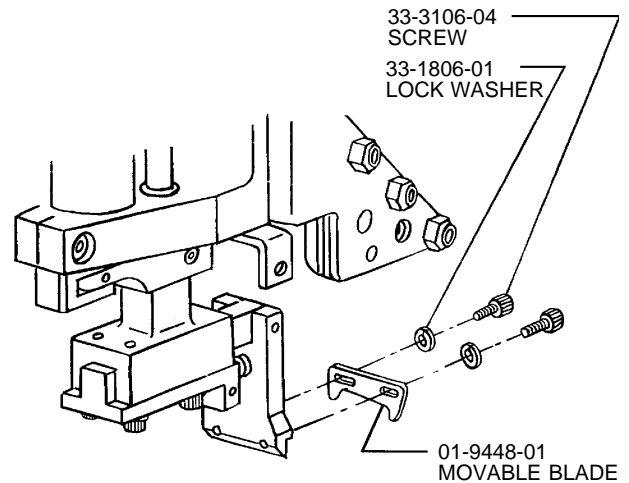
INS-2300

**NOTE:**

ASSEMBLE STATIONARY BLADE AS SHOWN.

MOVABLE BLADE

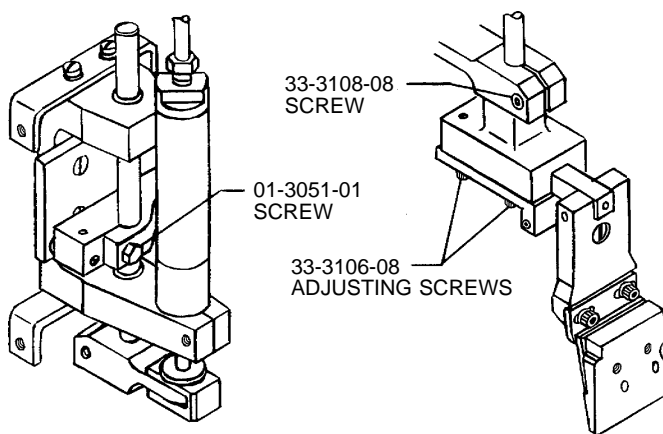
INS-2297

**NOTES:**

1. ASSEMBLE MOVABLE BLADE 01-9448-01 WITH SCREWS (2) 33-3106-04 AND LOCK WASHERS (2) 33-1806-01.
2. DO NOT TIGHTEN MOVABLE BLADE SCREWS AT THIS TIME. REFER TO ALIGNMENT ADJUSTMENT.

RADIAL

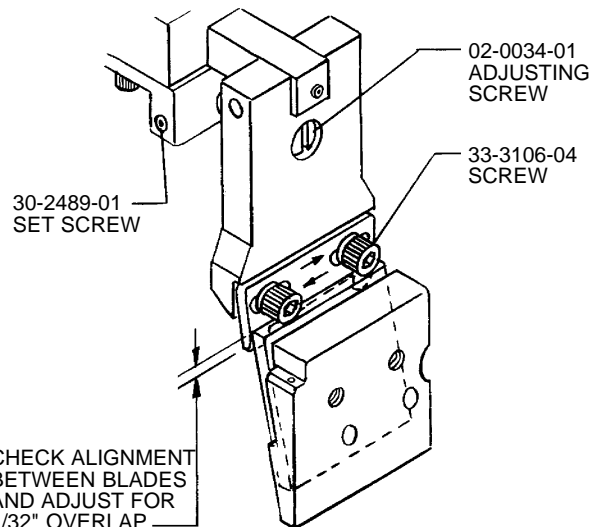
INS-2298

**NOTES:**

1. LOOSEN SCREW 01-3051-01 AND 33-3108-08 AND ROTATE ASSEMBLY FOR PROPER ENGAGEMENT.
2. LOOSEN SCREWS 33-3106-08 AND ADJUST MOVABLE BLADE AGAINST STATIONARY BLADE AND LOCK IN PLACE.

ALIGNMENT

INS-2299

**NOTE:**

LOOSEN SET SCREW 30-2489-01 AND ADJUST SCREW 02-0034-01 COUNTER-CLOCKWISE FOR MORE CUTTING EDGE ENGAGEMENT.

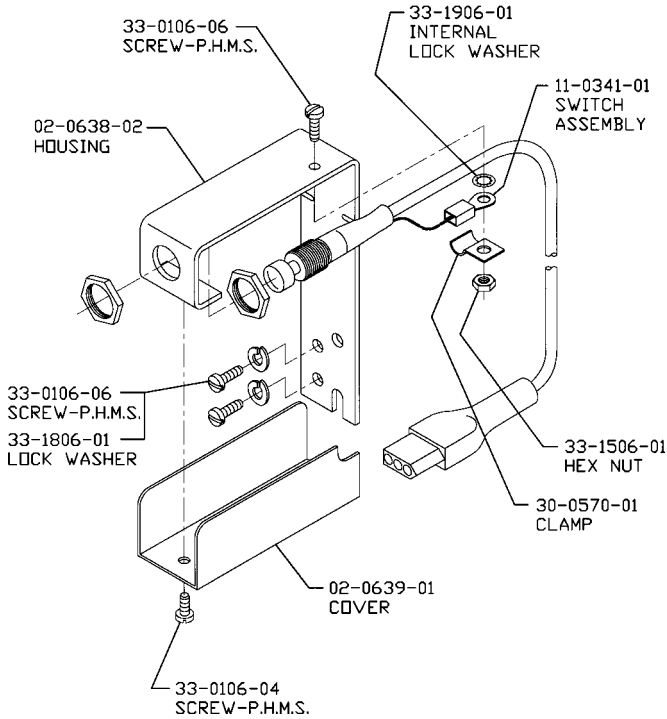
INSTALLATION INSTRUCTIONS

WARNING!! TO PREVENT SERIOUS INJURY, DISCONNECT AIR SUPPLY BEFORE MAKING ANY ADJUSTMENTS.

SWITCH ASSEMBLY

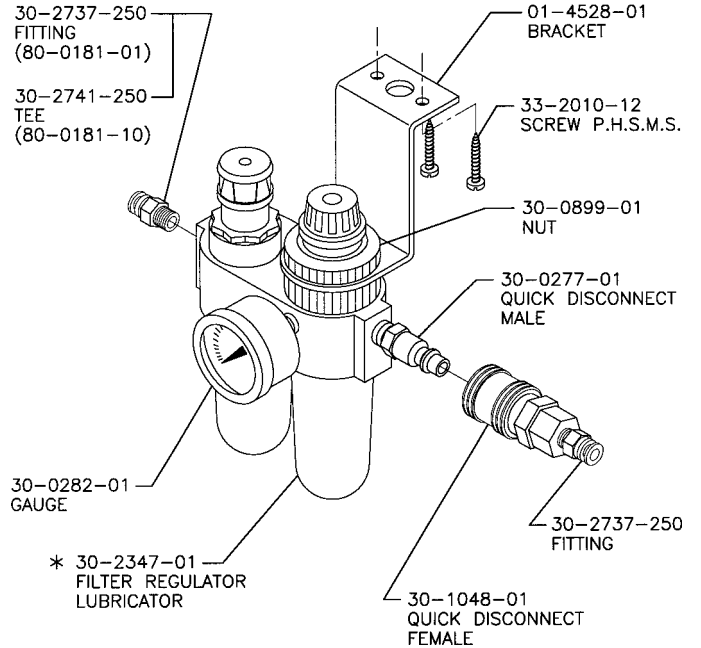
11-0429-02

INS-2395



FILTER, OILER, REGULATOR & GAUGE ASSEMBLY

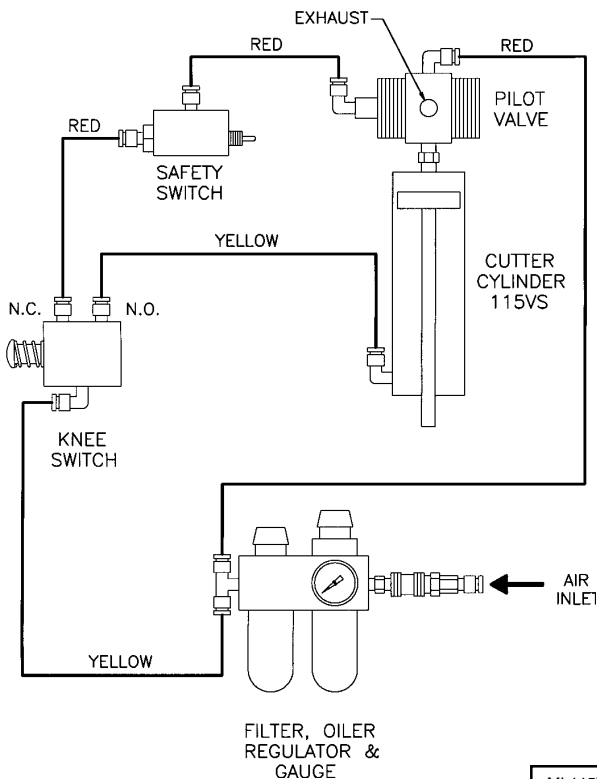
80-0181-01
80-0181-10



* NOTE: SEE INS-DRAWINGS 2100-1 AND 2100-2 FOR SPARE PARTS

INS-570-3D

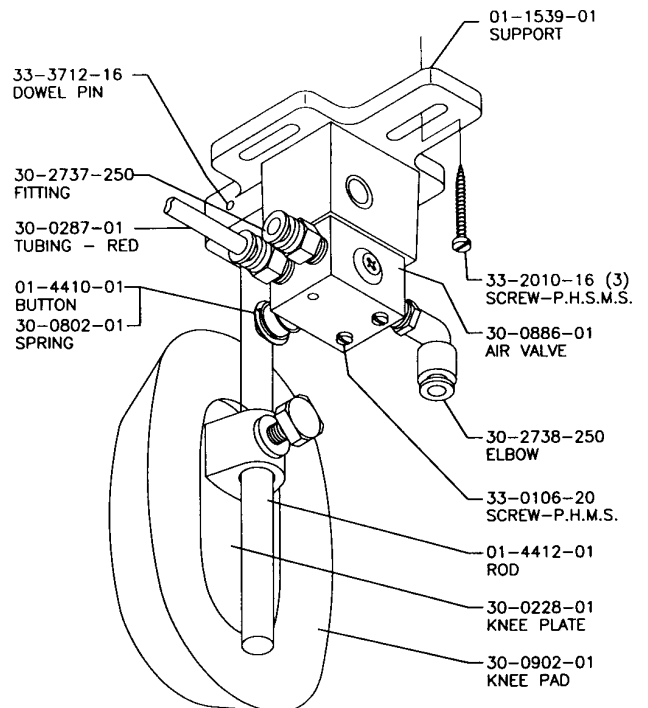
AIR CIRCUIT DIAGRAM



ML115VS-9E

4 WAY AIR VALVE, KNEE OPERATED

80-0185-01



INS-619-1A

PARTS LIST
 MODEL 115VS-FOTA-KS
 JUKI-MS191,1190,1190M
 80-0525-02

- 30-2737-250 FITTING
- 30-2738-250 ELBOW
- 30-1031-01 PILOT VALVE
- 30-2738-250 ELBOW
- 02-1542-01 BRACKET
- 33-0106-05 SCREW
- 33-1806-01 LOCK WASHER
- 30-0279-01 HEX NIPPLE
- 30-1988-01 AIR CYLINDER
- 30-2738-250 ELBOW
- 02-1543-01 BRACKET
- 10-1315-01 SUPPORT
- 02-1527-01 WEAR PLATE
- 33-0308-06 SCREW
- 30-0672-01 BEARING
- 30-2489-01 SET SCREW
- 02-1591-01 BUSHING MOUNT
- 33-2816-04 SET SCREW
- 01-3051-01 SCREW
- 30-2549-01 WASHER
- 01-8811-02 ADAPTOR
- 33-1616-02 JAM NUT
- 33-0106-04 SCREW
- 02-1581-01 GUARD
- 01-8798-01 WARNING LABEL
- 33-1706-02 FLAT WASHER
- 33-1806-01 LOCK WASHER
- 33-3106-08 SCREW
- 02-0501-01 GUARD
- 02-0506-01 SUPPRT
- 30-1559-02 SCREW
- 01-9447-01 BLADE
- 33-1808-01 LOCK WASHER
- 33-3108-04 SCREW

30-2102-03
RED TUBING

30-1132-01
AIR VALVE

30-2489-01
SET SCREW

- 33-3410-16 SCREW
- 33-3712-08 DOWEL PIN
- 33-3210-10 SCREW
- 02-0505-01 FACE PLATE
- 01-5325-01 LOGO
- 30-1509-01 PLUG
- 33-3210-10 SCREW
- 02-0502-01 SPACER
- 33-1806-01 LOCK WASHER
- 33-0106-05 SCREW
- 33-3210-07 SCREW
- 33-1810-01 LOCK WASHER
- 02-1539-01 BRACKET
- 33-1810-01 LOCK WASHER
- 30-0618-01 LOCK NUT
- 33-3210-10 SCREW
- 33-3712-16 DOWEL PIN
- 02-1543-01 BRACKET
- 33-1806-01 LOCK WASHER
- 33-0106-05 SCREW
- 33-3108-08 SCREW
- 02-1556-01 CLAMP
- 10-1301-01 BLOCK & SHAFT
- 02-0032-01 SUPPORT
- 30-2574-01 SET SCREW
- 02-0034-01 ADJUSTING SCREW
- 33-3712-16 DOWEL PIN
- 33-3106-04 SCREW
- 33-1806-01 LOCK WASHER
- 01-9448-01 MOVABLE BLADE
- 02-0033-01 BLADE HOLDER
- 01-1892-08 SPACER
- 30-2590-01 SPRING

