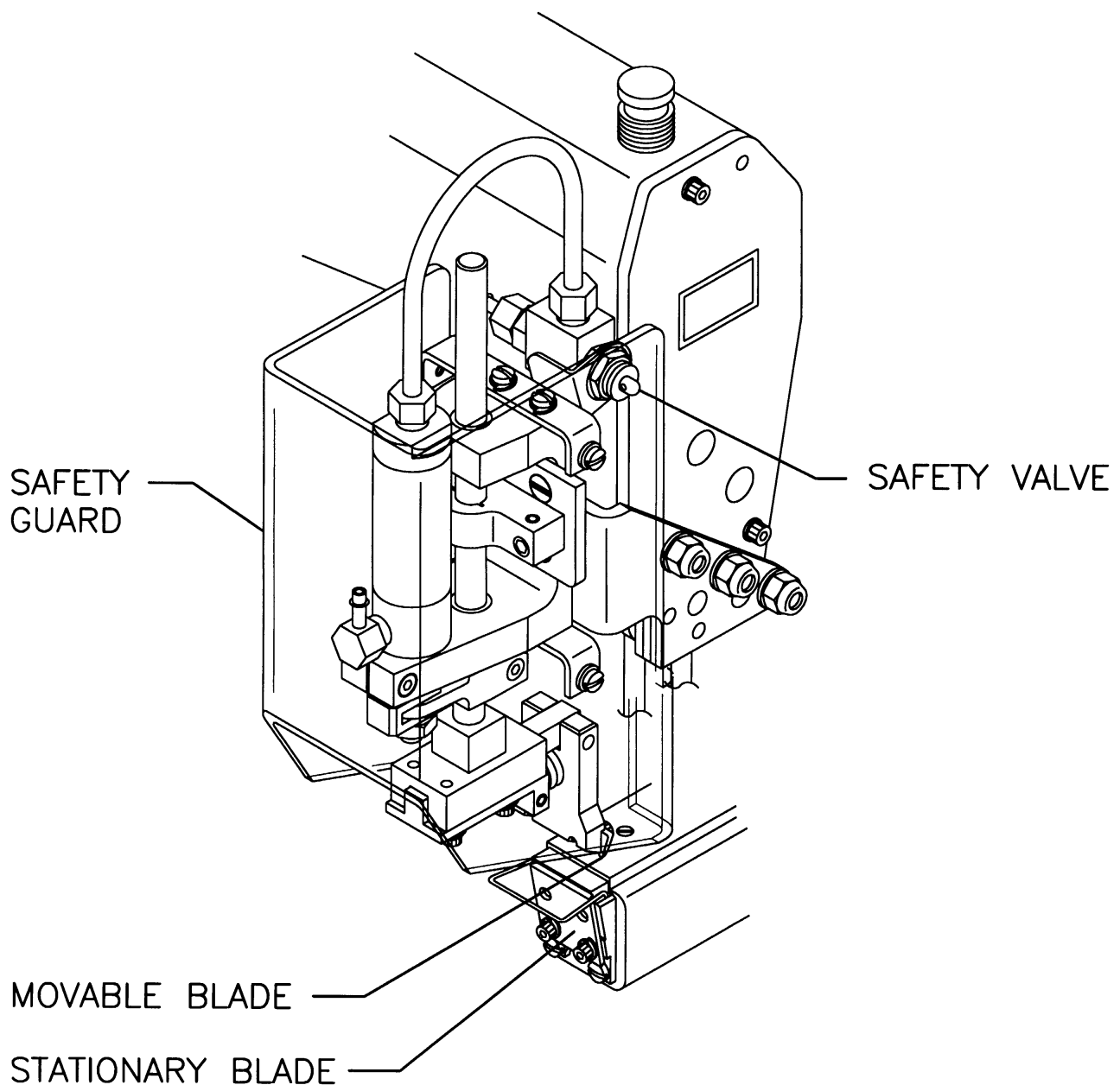


# CLINTON SERVICE GUIDE MODEL 115VS-FOTA FOR JUKI MS191,1190,1190M

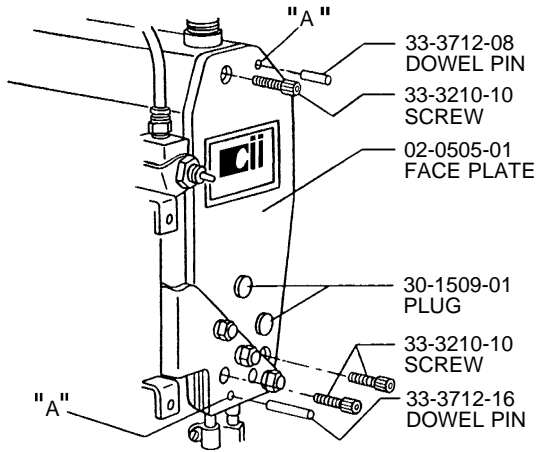


® CLINTON INDUSTRIES, INC.  
700 Washington Avenue  
Carlstadt, N.J. 07072  
Phone: 201-935-4242  
FAX: 201-935-3615  
Web Site: <http://www.clintonind.com>  
Email: [general@clintonind.com](mailto:general@clintonind.com)

# DRILLING & INSTALLATION INSTRUCTIONS

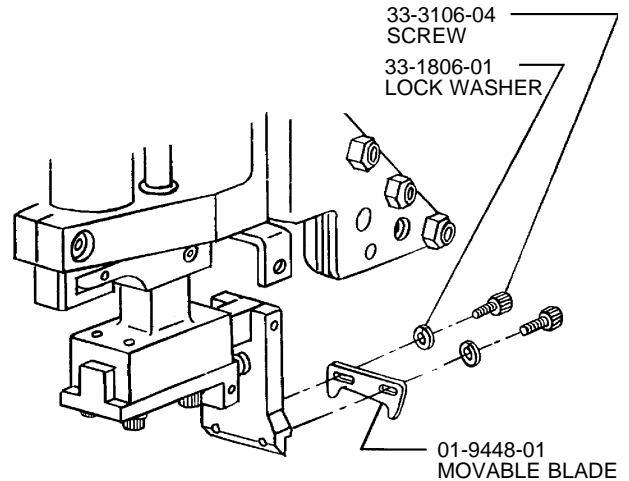
## CUTTER ASSEMBLY

INS-2296C



## MOVABLE BLADE

INS-2297



### NOTES:

1. REMOVE EXISTING FACE PLATE AND RETAP (3) HOLES WITH DRILL NO.21 (30-2130-21) AND TAP 10-32 (30-1875-01) SUPPLIED.
2. MOUNT VERTICAL SHEAR CUTTER WITH (3) SCREWS 33-3210-10.
3. USING HOLES MARKED "A" AS A GUIDE, DRILL (2) HOLES 3/16" DIAMETER BY 3/16" DEEP. 3/16" DRILL (30-2376-12) SUPPLIED.
4. INSERT DOWEL PINS (1) 33-3712-08 UPPER SIDE, AND (1) 33-3712-16 LOWER SIDE.

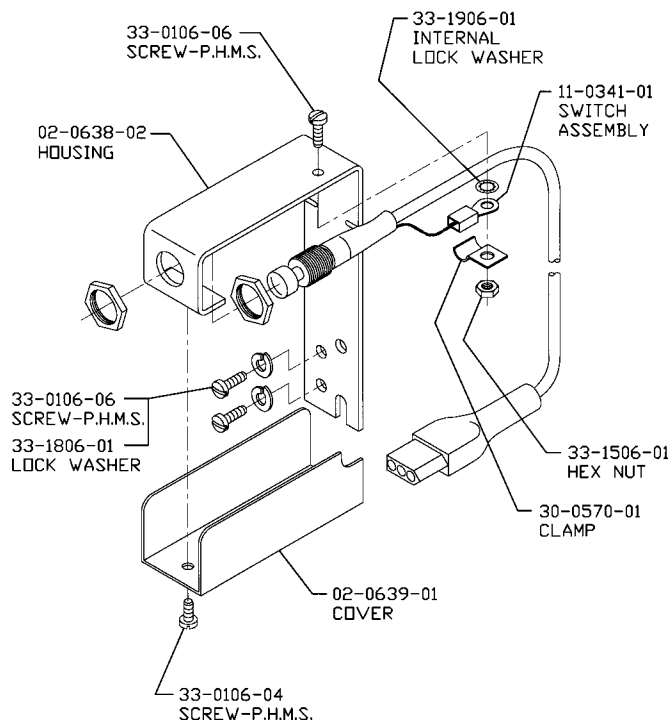
### NOTES:

1. ASSEMBLE MOVABLE BLADE 01-9448-01 WITH SCREWS (2) 33-3106-04 AND LOCK WASHERS (2) 33-1806-01.
2. DO NOT TIGHTEN MOVABLE BLADE SCREWS AT THIS TIME. REFER TO ALIGNMENT ADJUSTMENT.

## SWITCH ASSEMBLY

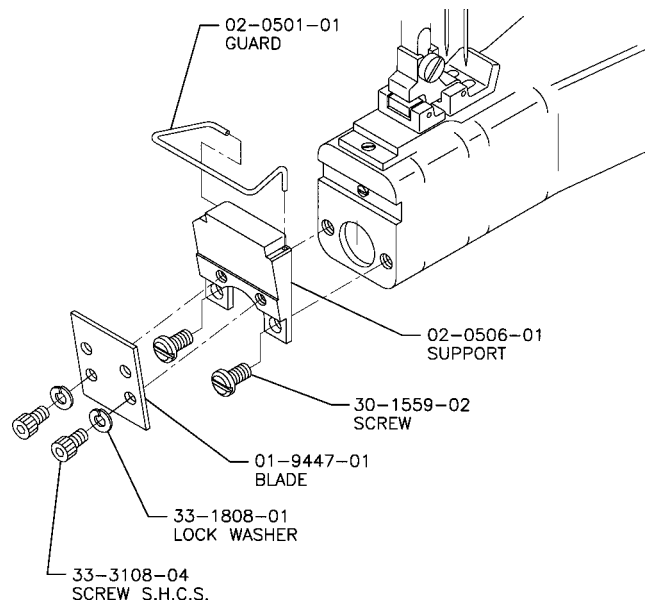
11-0429-02

INS-2395



## STATIONARY BLADE

INS-2300



### NOTE:

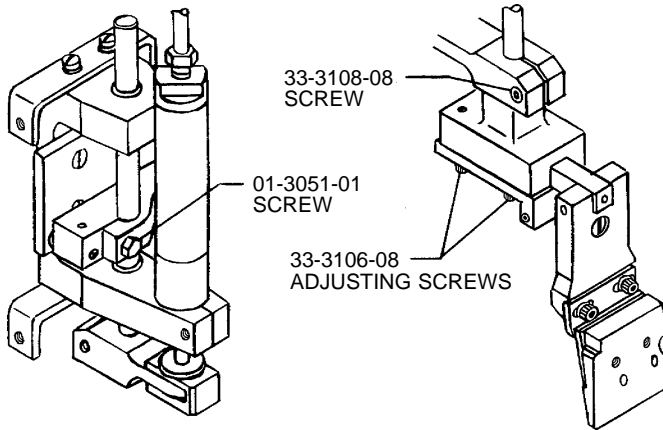
ASSEMBLE STATIONARY BLADE AS SHOWN.

**ADJUSTMENTS**

**WARNING!! TO PREVENT SERIOUS INJURY, DISCONNECT AIR SUPPLY BEFORE MAKING ANY ADJUSTMENTS.**

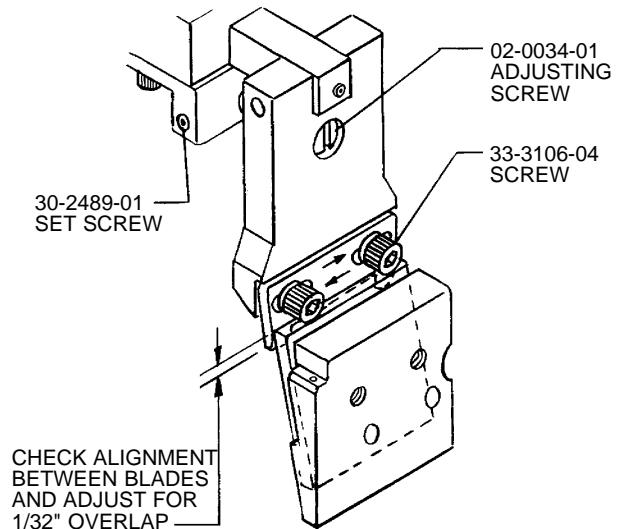
**RADIAL**

INS-2298



**ALIGNMENT**

INS-2299



**NOTES:**

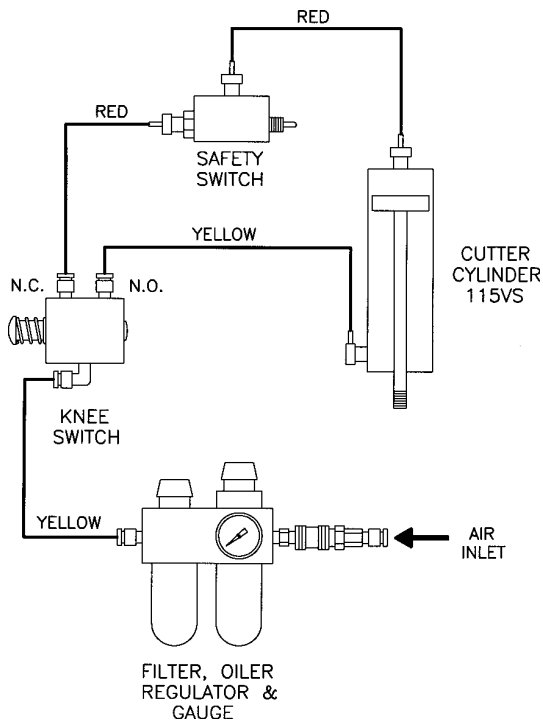
1. LOOSEN SCREW 01-3051-01 AND 33-3108-08 AND ROTATE ASSEMBLY FOR PROPER ENGAGEMENT.
2. LOOSEN SCREWS 33-3106-08 AND ADJUST MOVABLE BLADE AGAINST STATIONARY BLADE AND LOCK IN PLACE.

**NOTE:**

LOOSEN SET SCREW 30-2489-01 AND ADJUST SCREW 02-0034-01 COUNTER-CLOCKWISE FOR MORE CUTTING EDGE ENGAGEMENT.

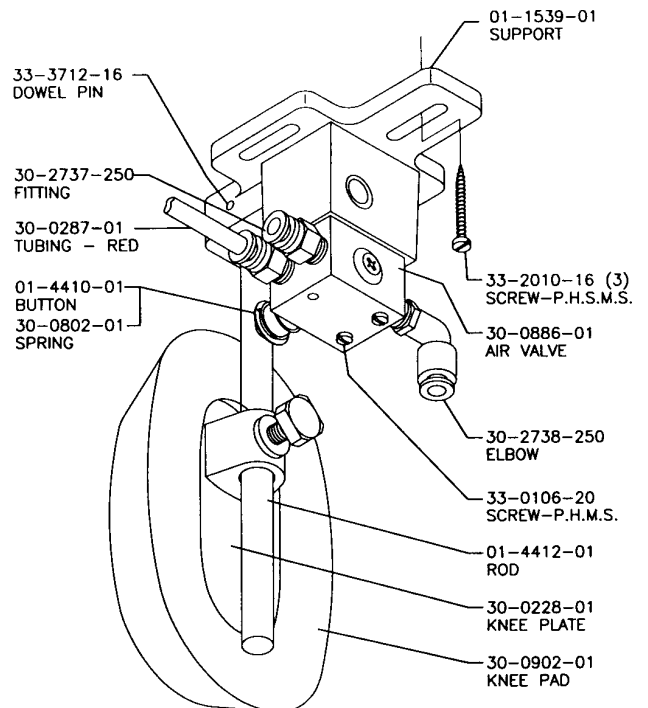
**AIR CIRCUIT DIAGRAM  
MODEL 115VS KS  
MODEL 115VS F.O.R.G.-KS**

INS-2664



**4 WAY AIR VALVE, KNEE OPERATED  
80-0185-01**

INS-619-1A



PARTS LIST  
 MODEL 115VS-FOTA  
 JUKI MS191,1190,1190M  
 80-0486-02

30-1132-01  
 AIR VALVE  
 30-2102-03  
 RED TUBING  
 02-1542-01  
 BRACKET  
 33-0106-05  
 SCREW  
 33-1806-01  
 LOCK WASHER  
 30-1106-01  
 FITTING  
 30-1988-01  
 AIR CYLINDER  
 30-1107-01  
 ELBOW  
 02-1543-01  
 BRACKET  
 10-1315-01  
 SUPPORT  
 02-1527-01  
 WEAR PLATE  
 33-0308-06  
 SCREW  
 30-0672-01  
 BEARING  
 30-2489-01  
 SET SCREW  
 02-1591-01  
 BUSHING MOUNT  
 33-2816-04  
 SET SCREW  
 01-3051-01  
 SCREW  
 30-2549-01  
 WASHER  
 01-8811-02  
 ADAPTOR  
 33-1616-02  
 JAM NUT  
 33-0106-04  
 SCREW  
 02-1581-01  
 GUARD  
 01-8798-01  
 WARNING LABEL  
 33-1706-02  
 FLAT WASHER  
 33-1806-01  
 LOCK WASHER  
 33-3106-08  
 SCREW

