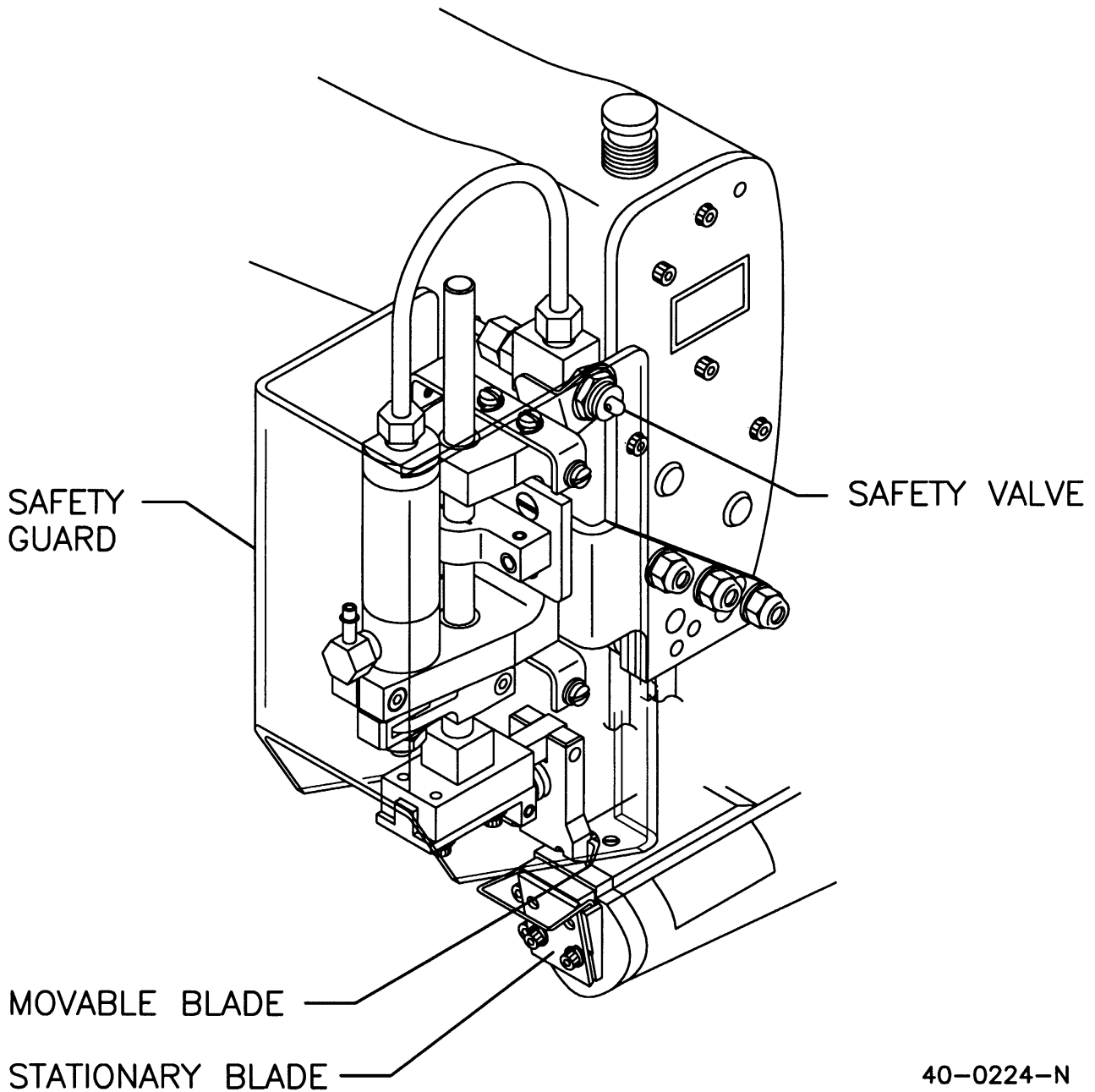


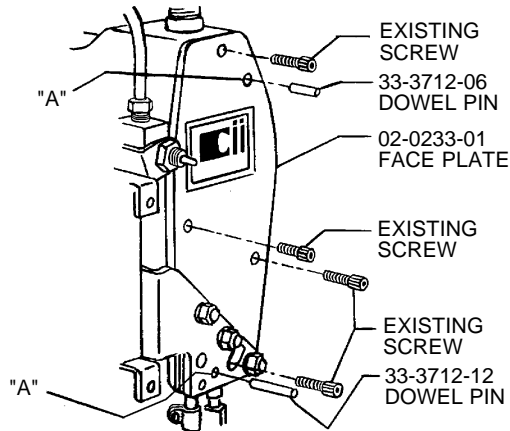
CLINTON SERVICE GUIDE MODEL 115VS-FOTA FOR TOYOTA DT6-L2512



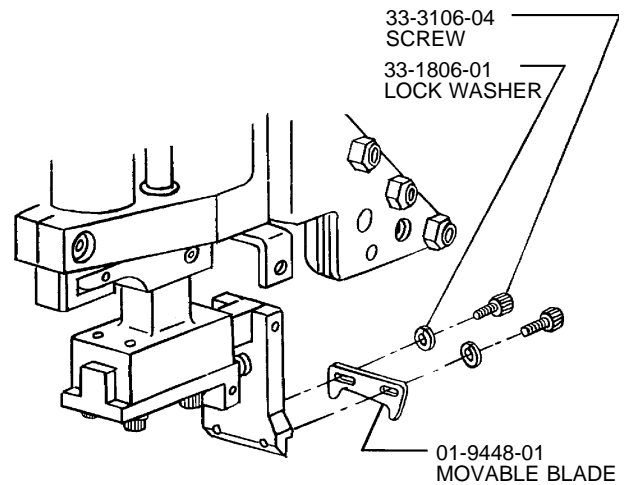
© CLINTON INDUSTRIES, INC.
700 Washington Avenue
Carlstadt, N.J. 07072
Phone: 201-935-4242
FAX: 201-935-3615
Web Site: <http://www.clintonind.com>
Email: general@clintonind.com

DRILLING & INSTALLATION INSTRUCTIONS

CUTTER ASSEMBLY



MOVABLE BLADE



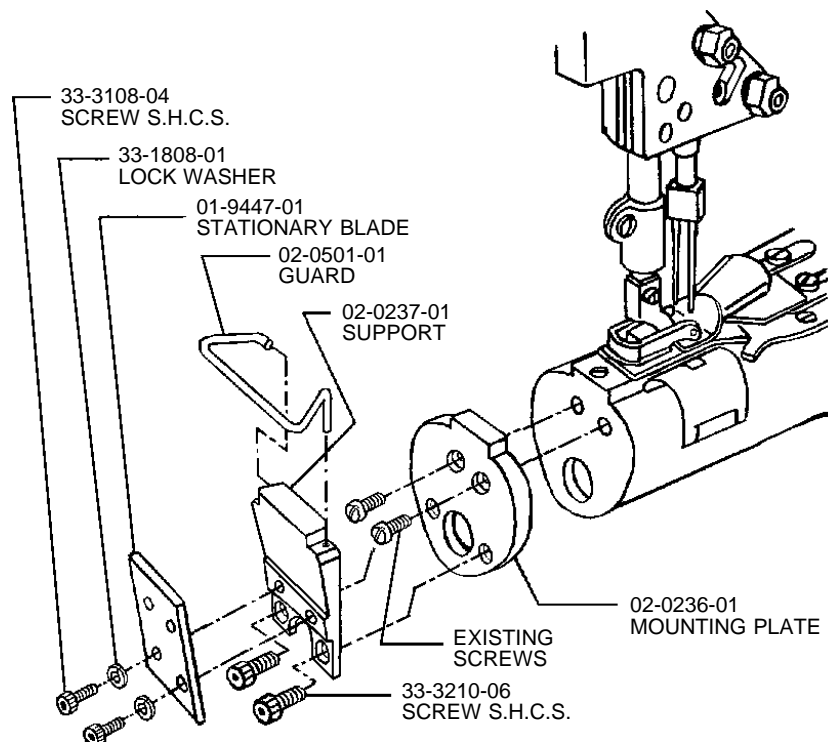
NOTES:

1. REMOVE EXISTING FACE PLATE.
2. MOUNT VERTICAL SHEAR CUTTER WITH THE (4) EXISTING SCREWS.
3. USING HOLES MARKED "A" AS A GUIDE, DRILL (2) HOLES 3/16" DIAMETER BY 3/16" DEEP. 3/16" DRILL (30-2376-12) SUPPLIED.
4. INSERT DOWEL PINS (1) 33-3712-06 UPPER SIDE, AND (1) 33-3712-12 LOWER SIDE.

NOTES:

1. ASSEMBLE MOVABLE BLADE 01-9448-01 WITH SCREWS (2) 33-3106-04 AND LOCK WASHERS (2) 33-1806-01.
2. DO NOT TIGHTEN MOVABLE BLADE SCREWS AT THIS TIME. REFER TO ALIGNMENT ADJUSTMENT.

STATIONARY BLADE

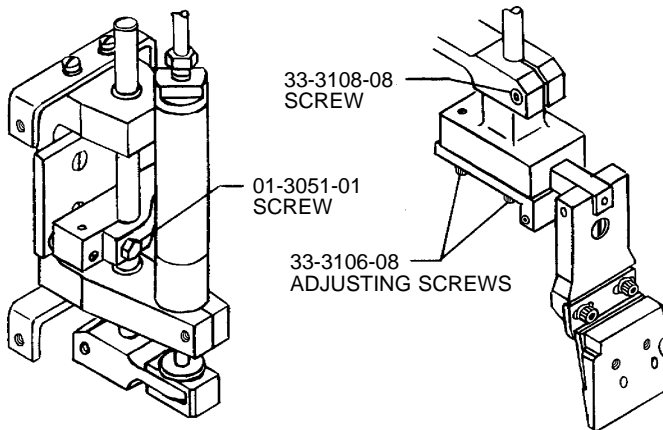


NOTE: ASSEMBLE STATIONARY BLADE AS SHOWN.

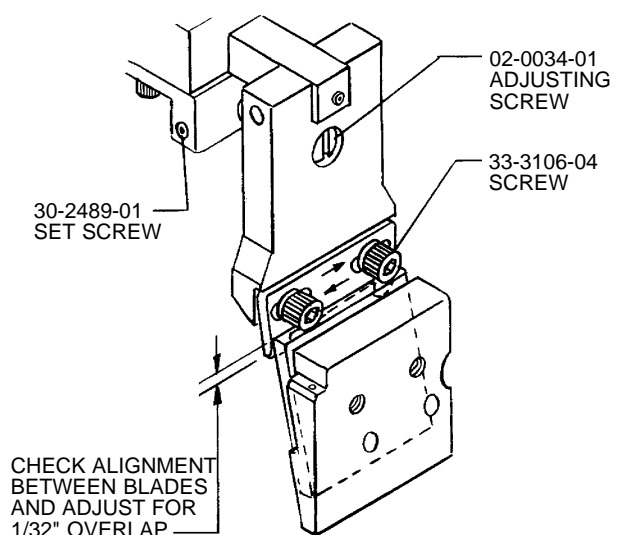
ADJUSTMENTS

WARNING!! TO PREVENT SERIOUS INJURY, DISCONNECT AIR SUPPLY BEFORE MAKING ANY ADJUSTMENTS.

RADIAL



ALIGNMENT



NOTES:

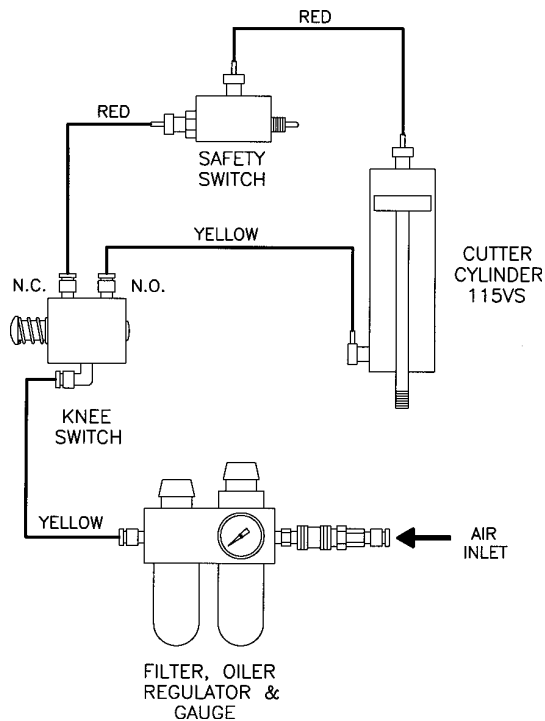
1. LOOSEN SCREW 01-3051-01 AND 33-3108-08 AND ROTATE ASSEMBLY FOR PROPER ENGAGEMENT.
2. LOOSEN SCREWS 33-3106-08 AND ADJUST MOVABLE BLADE AGAINST STATIONARY BLADE AND LOCK IN PLACE.

NOTE:

LOOSEN SET SCREW 30-2489-01 AND ADJUST SCREW 02-0034-01 COUNTER-CLOCKWISE FOR MORE CUTTING EDGE ENGAGEMENT.

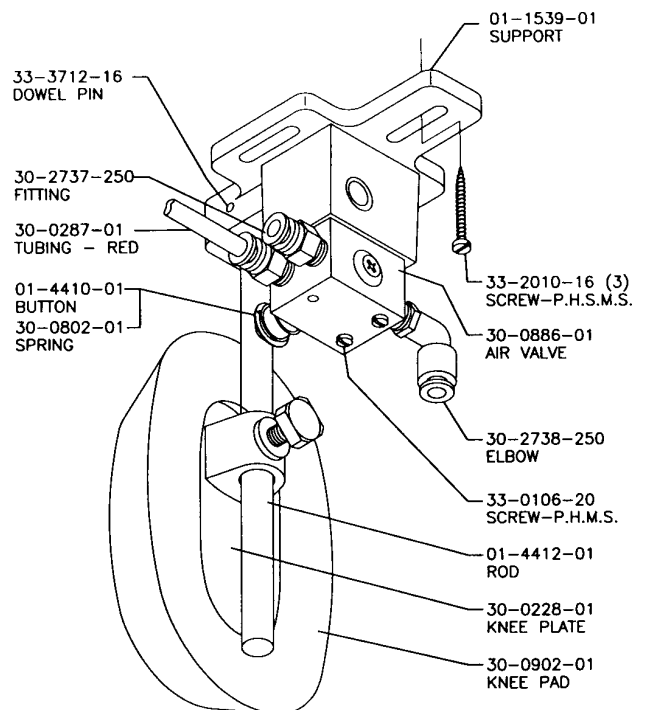
**AIR CIRCUIT DIAGRAM
MODEL 115VS KS
MODEL 115VS F.O.R.G.-KS**

INS-2664



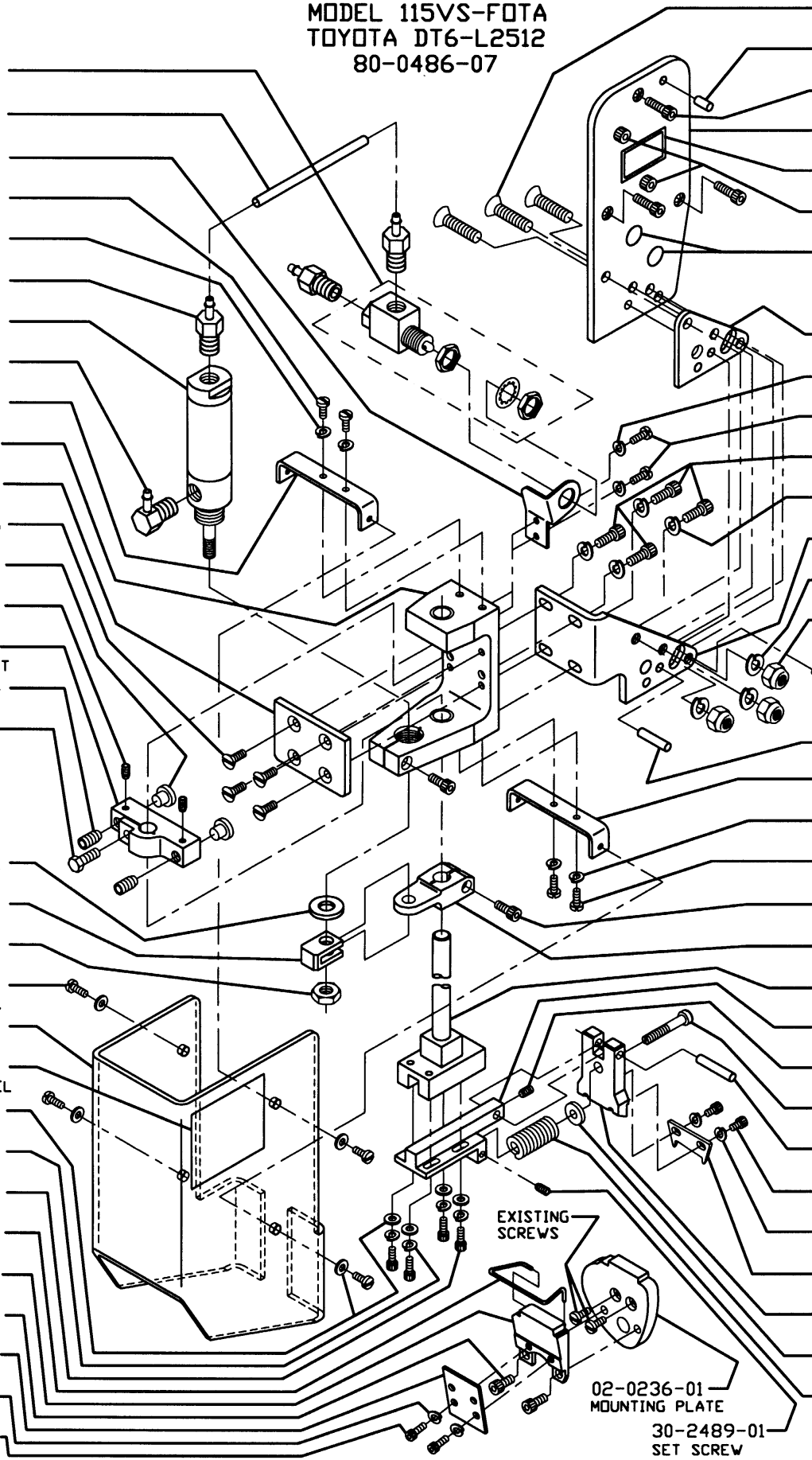
**4 WAY AIR VALVE, KNEE OPERATED
80-0185-01**

INS-619-1A



PARTS LIST
MODEL 115VS-FOTA
TOYOTA DT6-L2512
80-0486-07

- 30-1132-01 AIR VALVE
- 30-2102-02 RED TUBING
- 02-1542-01 BRACKET
- 33-0106-05 SCREW P.H.M.S.
- 33-1806-01 LOCK WASHER
- 30-1106-01 FITTING
- 30-1988-01 AIR CYLINDER
- 30-1107-01 ELBOW
- 02-1543-01 BRACKET
- 10-1315-01 SUPPORT
- 02-1527-01 WEAR PLATE
- 33-0308-06 SCREW F.H.M.S.
- 30-0672-01 BEARING
- 30-2489-01 SET SCREW
- 02-1591-01 BUSHING MOUNT
- 33-2816-04 SET SCREW
- 01-3051-01 SCREW
- 30-2549-01 WASHER
- 01-8811-02 ADAPTOR
- 33-1616-02 JAM NUT
- 33-0106-04 SCREW P.H.M.S.
- 02-1581-01 GUARD
- 01-8798-01 WARNING LABEL
- 33-1706-02 FLAT WASHER
- 33-1806-01 LOCK WASHER
- 33-3106-08 SCREW S.H.C.S.
- 02-0501-01 GUARD
- 02-0237-01 SUPPORT
- 33-3210-06 SCREW S.H.C.S.
- 01-9447-01 BLADE
- 33-1808-01 LOCK WASHER
- 33-3108-04 SCREW S.H.C.S.



- 33-3410-16 SCREW F.H.C.S.
- 33-3712-06 DOWEL PIN
- EXISTING SCREW (4)
- 02-0233-01 FACE PLATE
- 01-5325-01 LOGO
- 33-3210-06 SCREW S.H.C.S.
- EXISTING PLUGS
- 02-0235-01 SPACER
- 33-1806-01 LOCK WASHER
- 33-0106-05 SCREW
- 33-3210-07 SCREW S.H.C.S.
- 33-1810-01 LOCK WASHER
- 02-0234-01 BRACKET
- 33-1810-01 LOCK WASHER
- 30-0618-01 LOCK NUT
- 33-3712-12 DOWEL PIN
- 02-1543-01 BRACKET
- 33-1806-01 LOCK WASHER
- 33-0106-05 SCREW P.H.M.S.
- 33-3108-08 SCREW S.H.C.S.
- 02-1556-01 CLAMP
- 10-1301-01 BLOCK & SHAFT
- 02-0032-01 SUPPORT
- 30-2574-01 SET SCREW
- 02-0034-01 ADJUSTING SCREW
- 33-3712-16 DOWEL PIN
- 33-3106-04 SCREW S.H.C.S.
- 33-1806-01 LOCK WASHER
- 01-9448-01 MOVABLE BLADE
- 02-0033-01 BLADE HOLDER
- 01-1892-08 SPACER
- 30-2590-01 SPRING
- 02-0236-01 MOUNTING PLATE
- 30-2489-01 SET SCREW

EXISTING SCREWS