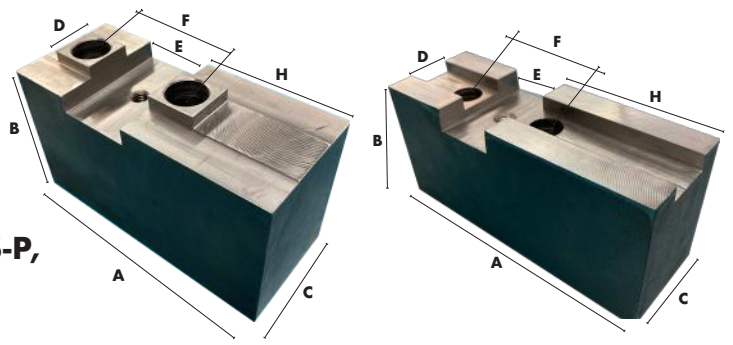


SQUARE SERRATED KEY TYPE
MODELS BUCK, GISHOLT, PRATT BURNERD, S-P,
WARNER & SWASEY

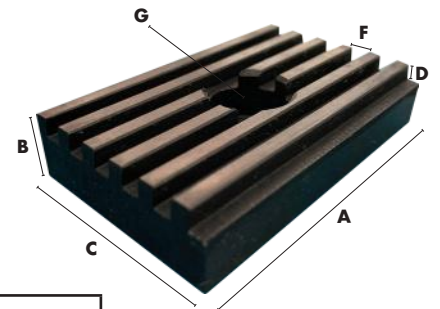


CRITICAL

chuck size	part number	A	B	C	D	E	F	SCREW SIZE	H
6	6S	3.00	1.50	1.25	0.738	0.377	1.687	5/16	1.50
7.5	7.5S	4.00	2.00	1.50	0.866	0.377	1.687	5/16	1.50
8	D8LS	3.75	2.00	1.50	0.669	0.601	1.25	1/2	1.91
12	12KSSH	5.00	2.25	1.75	0.751	0.996	1.75	1/2	2.63
12	12KSEH	5.00	3.50	1.75	0.751	0.996	1.75	1/2	2.63
12	D12AO	4.38	2.50	1.75	0.751	0.996	1.75	1/2	2.63
12	D12AO58	4.56	2.50	1.75	0.751	0.996	1.75	5/8	2.63
15	M2315B1	5.00	3.00	2.25	1.001	1.488	2.5	3/4	1.69
15	M2315B2	5.00	5.00	2.25	1.001	1.488	2.5	3/4	1.69
15	15KSSH	6.00	2.50	2.25	1.001	1.488	2.5	3/4	3.00
15	15KSEH	6.00	3.50	2.25	1.001	1.488	2.5	3/4	3.00
18	18KSSH	6.00	3.00	2.50	1.001	1.488	2.5	3/4	3.00
18	18KSEH	6.00	4.00	2.50	1.001	1.488	2.5	3/4	3.00
21	M2320B1	6.25	3.00	2.50	1.001	1.488	3	3/4	3.19
21	M2320B2	6.25	5.00	2.50	1.001	1.488	3	3/4	3.19

FOR POINTED JAWS ADD "OP" TO THE END OF ANY PART NUMBER, I.E. 12KSSHOP.

*** ALUMINUM JAWS AVAILABLE!!**

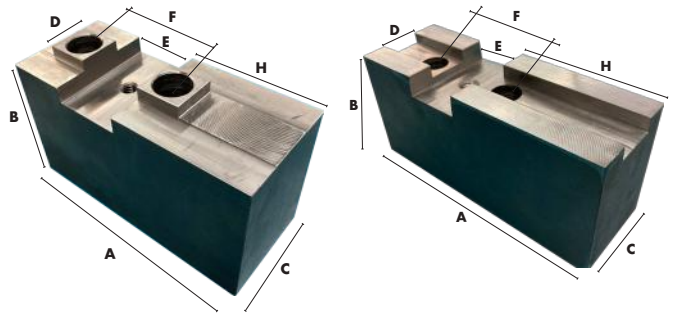


SQUARE SERRATED MASTER KEYS

CRITICAL

chuck size	part number	A	B	C	D	E	F	G
10-12	D12SQK	1.69	0.50	0.993	0.13	0.127	0.25	5/16
15-18	D18SQK	2.25	0.50	1.487	0.13	0.127	0.25	3/8
21-24	D21SQK	2.50	0.50	1.487	0.13	0.127	0.25	3/8

ASSORTED POWER CHUCKS
MODELS AUTOBLOK, CUSHMAN, LOGAN-SPORT,
PRATT BURNERD, HOWA (HO7MC)
ACME SERRATED KEY TYPE



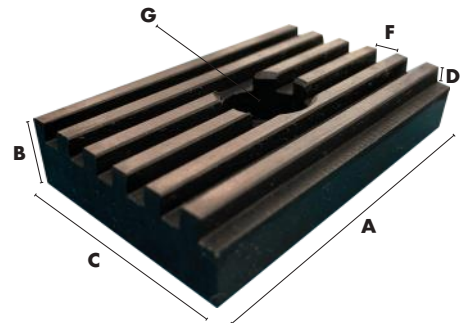
SOFT JAWS

CRITICAL

chuck size	part number	A	B	C	D	E	F	SCREW SIZE	H
10	2513072	4.13	2.31	1.75	0.749	1.031	1.75	1/2	1.81
10	2513072EH	4.13	3.81	1.75	0.749	1.031	1.75	1/2	1.81
10	2513072EL	4.88	2.31	1.75	0.749	1.031	1.75	1/2	2.56
12	2513071	5.00	2.31	1.75	0.874	1.031	2	5/8	2.69
12	2513071EH	5.00	3.81	1.75	0.874	1.031	2	5/8	2.69
15-18	2513070	6.00	3.25	2.50	1	1.531	2.5	3/4	3.00
15-18	15AO4S1	6.50	4.00	2.50	1	1.531	2.5	3/4	4.22
15-18	2513070EL	6.50	3.25	2.50	1	1.531	2.5	3/4	3.50
21-24	2513069	5.88	3.25	2.50	1.249	1.531	3	7/8	2.75
21-24	2513069EL	6.75	3.25	2.50	1.249	1.531	3	7/8	3.63
21-24	2513069EW	5.88	3.25	3.00	1.249	1.531	3	7/8	2.75

FOR POINTED JAWS ADD "OP" TO THE END OF ANY PART NUMBER, I.E. 2513071P

*** ALUMINUM JAWS AVAILABLE!!**

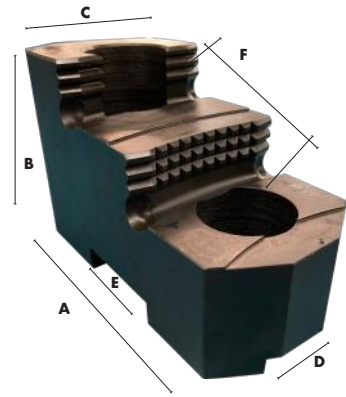


ACME SERRATED MASTER KEYS

CRITICAL

chuck size	part number	A	B	C	D	F	G
10-12	DT10912	1.69	0.5	1.03	0.13	0.25	5/16
15-18	DT11199	2.44	0.5	1.53	0.13	0.25	3/8
21-24	DT2508280	2.88	0.5	1.53	0.13	0.25	3/8

ASSORTED POWER CHUCKS
MODELS BUCK, GISHOLT, PRATT BURNERD, S-P,
WARNER & SWASEY
SQUARE SERRATED KEY TYPE



REVERSIBLE HARD JAWS

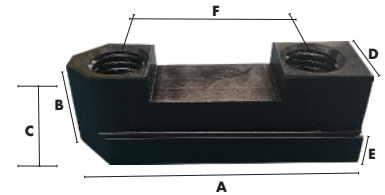
CRITICAL

chuck size	part number	A	B	C	D	E	F	SCREW SIZE	1st step depth	2nd step depth
12	D12AR	3.78	2.50	1.75	0.751	0.996	1.75	1/2	0.63	1.25
12	D12AR58	3.78	2.50	1.75	0.751	0.996	1.75	5/8	0.63	1.25
18	D18AR	4.75	3.00	2.25	1.001	1.488	2.5	3/4	0.75	1.50

T NUTS

CRITICAL

chuck size	part number	A	B	C	D	E	F	SCREW SIZE
10-12	SP1012	2.44	1.00	1.00	0.75	0.37	1.75	1/2-13
12CC	SP12CC	2.50	1.00	1.00	0.75	0.37	1.75	5/8-11
15-18	SP1518	3.75	1.25	1.25	1	0.43	2.5	3/4-10



ALUMINUM PIE JAWS™

STANDARD HEIGHT

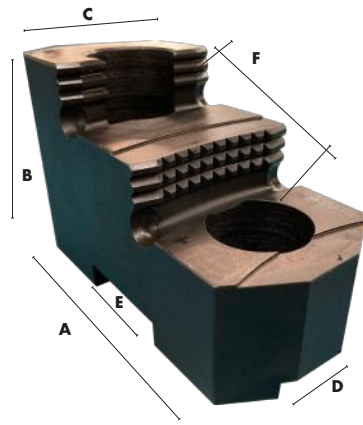
CRITICAL

EXTRA HEIGHT

chuck size	part number	A	B	D	E	F	SCREW SIZE	part number	B
6	6P	6.00	2.00	0.738	0.377	1.687	5/16	6P1	4.00
7.5	7.5P	8.00	2.00	0.866	0.377	1.687	5/16	not standard	
10	10P	10.00	2.00	0.750	0.993	1.75	1/2	10P1	4.00
12	12P	12.00	2.00	0.750	0.993	1.75	1/2	12P1	4.00
15	15P	15.00	3.00	1.000	1.487	2.5	3/4	15P1	4.00

FOR CAST IRON ADD "CI" TO THE BEGINNING OF THE ALUMINUM PART NUMBER, I.E. CI6AP. OTHER SIZES AVAILABLE FROM STOCK.

ASSORTED POWER CHUCKS
MODELS AUTOBLOK, CUSHMAN, LOGANSPORT,
PRATT BURNERD, HOWA (HO7MC)
ACME SERRATED KEY TYPE



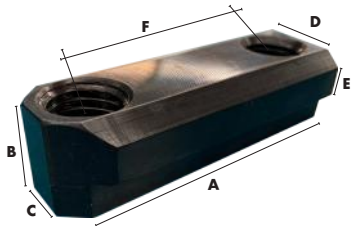
REVERSIBLE HARD JAWS

CRITICAL

chuck size	part number	A	B	C	D	E	F	SCREW SIZE	1st step depth	2nd step depth
10	DT10RJ	4.15	2.50	1.75	0.749	1.031	1.75	1/2	0.62	1.25
12	DT12RJ	5.21	2.50	1.75	0.874	1.031	2	5/8	0.51	1.13
15	DT15RJ	6.03	3.50	2.50	1	1.531	2.5	3/4	0.81	1.60

T NUTS

CRITICAL



chuck size	part number	A	B	C	D	E	F	SCREW SIZE
10	DNC10	2.50	0.64	0.94	0.678	0.381	1.75	1/2-13
12	DNC12	3.00	0.76	1.06	0.802	0.44	2	5/8-11
15-18	DNC1518	3.50	0.93	1.25	0.933	0.55	2.5	3/4-10

ALUMINUM PIE JAWS™

STANDARD HEIGHT

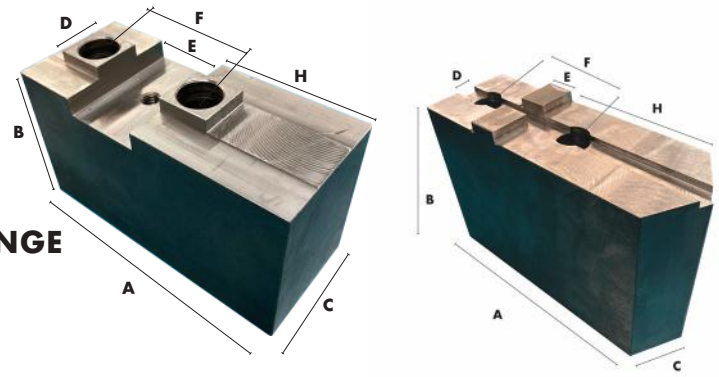
CRITICAL

EXTRA HEIGHT

chuck size	part number	A	B	D	E	F	SCREW SIZE	part number	B
10	10AO4P	10.00	2.00	0.749	1.031	1.75	1/2	10AO4P1	4.00
12	12A4P	12.00	2.00	0.874	1.031	2	5/8	12AO4P1	4.00
15-18	15AO4P	15.00	3.00	1	1.531	2.5	3/4	15AO4P1	4.00
21-24	2124A54P1	21.00	4.00	1.249	1.531	3	7/8	2124A54P5	5.00

FOR CAST IRON ADD "CI" TO THE BEGINNING OF THE ALUMINUM PART NUMBER, I.E. C110AO4P. OTHER SIZES AVAILABLE FROM STOCK

ASSORTED POWER CHUCKS
MODELS FORKARDT, SMW KNCS QUICK CHANGE
METRIC TONGUE & GROOVE



SOFT JAWS

CRITICAL

chuck size (inches)	chuck size (mm)	part number	A	B	C	D	E	F	SCREW SIZE	H
6-7	160-175	DIN6	3.31	1.38	1.00	0.315	0.708	1.26	8mm	1.63
8	200	DIN8	4.25	1.63	1.13	0.394	0.787	1.575	8mm	1.97
10-12.5	250-315	DIN10	4.75	2.06	1.50	0.472	0.787	1.575	12mm	2.75
16	400	DIN12	5.75	2.56	1.50	0.472	1.023	2.126	12mm	2.94

FOR POINTED JAWS, ADD "OP" TO THE END OF THE SQUARE JAW PART NUMBER, I.E. DIN6OP.

ALUMINUM PIE JAWS

STANDARD HEIGHT

CRITICAL

EXTRA HEIGHT

chuck size (inches)	chuck size (mm)	part number	A	B	D	E	F	SCREW SIZE	part number	B
6-7	160-175	MTG6MDP	6.00	2.00	0.315	0.708	1.26	8mm	MTG6MDP1	4.00
8	200	MTG8MDP	8.00	2.00	0.394	0.787	1.575	8mm	MTG8MDP1	4.00
10	250	MTG10MDP	10.00	2.00	0.472	0.787	1.575	12mm	MTG10MDP1	4.00
12	315	MTG12MDP	12.00	2.00	0.472	0.787	1.575	12mm	MTG12MDP1	4.00
16	400	MTG1516MDP	15.00	3.00	0.472	1.023	2.126	12mm	MTG1516MDP1	4.00

FOR CAST IRON ADD "CI" TO THE BEGINNING OF THE ALUMINUM PART NUMBER, I.E. CIM6MDP.

*** ALUMINUM JAWS AVAILABLE FROM STOCK!**

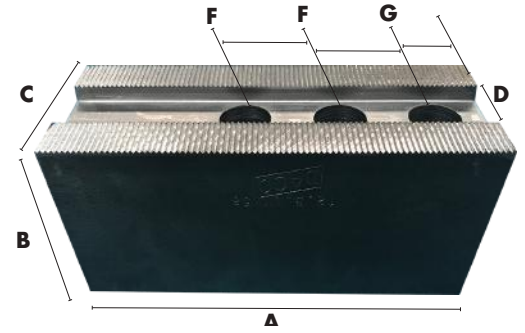
*** HARD JAWS, T-NUTS AND EXTRA HEIGHT SOFT JAWS SPECIALLY QUOTED!**



ASSORTED POWER CHUCKS

MODELS AUTOBLOK, ERICKSON, FORKARDT, GAMET, POWERHOLD, PRATT BURNERD, ROHM, & HOWA (HO12M-self Contained Air)

1/16" x 90° SERRATED



SOFT JAWS - STANDARD HEIGHT

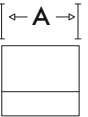
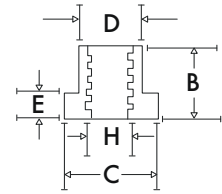
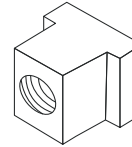
CRITICAL

EXTRA HEIGHT

chuck size	part number	A	B	C	D	F	SCREW SIZE	G	part number	B
6	D6PSH	3.00	1.50	1.13	0.433	0.718	5/16	0.44	PH6S2	3.00
8-10	D10PSH	4.25	2.00	1.25	0.551	0.875	3/8	0.56	PH10S1	3.00
10HD	D11PSH	4.50	2.00	1.75	0.788	1.187	1/2	0.62	D11PEH	4.00
12	D12PSH	5.13	2.50	1.75	0.788	1.187	1/2	0.62	PH12S2	4.00
14-22	D15PSH	6.50	2.50	1.75	0.827	1.562	5/8	0.75	D15PEH	4.00

FOR POINTED JAWS ADD "OP" TO THE END THE SQUARE JAW PART NUMBER, I.E. D6PSHOP.

FOR: ERICSON, GAMET, POWER HOLD WARNER SWASKEY-NIKKO CHUCKS (2 "T" NUTS PER JAW NORMALLY REQUIRED)



chuck size	ORDER BY #	A	B	C	D	E	SCREW SIZE
8"+10"	DTN-810	3/4	.606	.750	.550	.252	3/8-16
10"H.D.+12"	DTN-1112	1	.850	1.00	.787	.325	1/2-13
15"	DTN-15	1-1/8	1.00	1.00	.825	.430	5/8-11

ALUMINUM PIE JAWS

STANDARD HEIGHT

CRITICAL

EXTRA HEIGHT

chuck size	part number	A	B	D	F	SCREW SIZE	part number	B
6	PH6P	6.00	2.00	0.433	0.718	5/16	PH6P1	4.00
8	PH8-10P	8.00	2.00	0.551	0.875	3/8	PH8-10P1	4.00
10	PH10P	10.00	2.00	0.551	0.875	3/8	PH10P1	4.00
12	PH12P	12.00	2.00	0.788	1.187	1/2	PH12P1	4.00
15	PH15P	15.00	3.00	0.827	1.562	5/8	PH15P1	4.00

FOR CAST IRON STYLE, ADD "CI" TO THE BEGINNING OF THE ALUMINUM PART NUMBER, I.E. CIPH600AP.