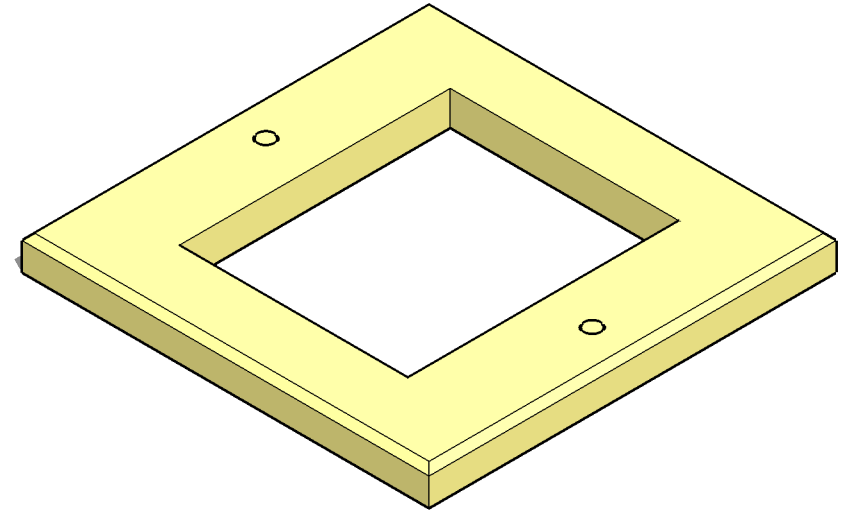
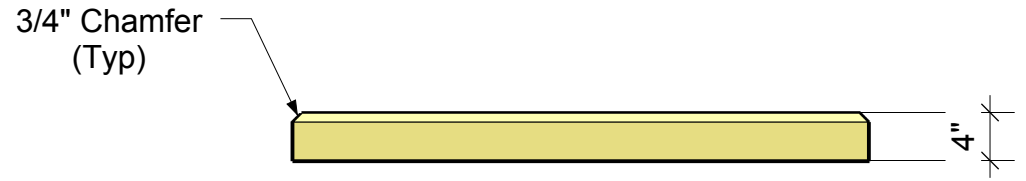


Top View  
Scale: 3/4"=1'-0"



ISO View  
Scale: NTS



Right Side View  
Scale: 1/2"=1'-0"

**ATLAS CONCRETE PRODUCTS**

www.AtlasConcrete.com

65 Burritt St.  
New Britain CT 06053

800-774-1112  
860-224-2244  
860-224-2255 Fax



**P-017 Transformer Pad**

Item# P-017 Pad

450 lbs