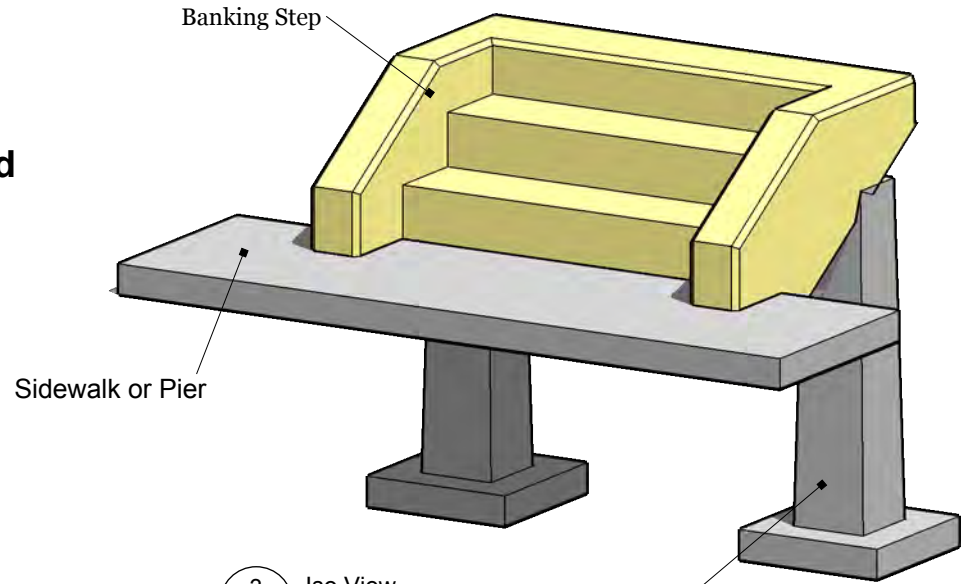


2 Top View
A00 Scale: 1/2"=1'-0"

7" Rise
11" Tread

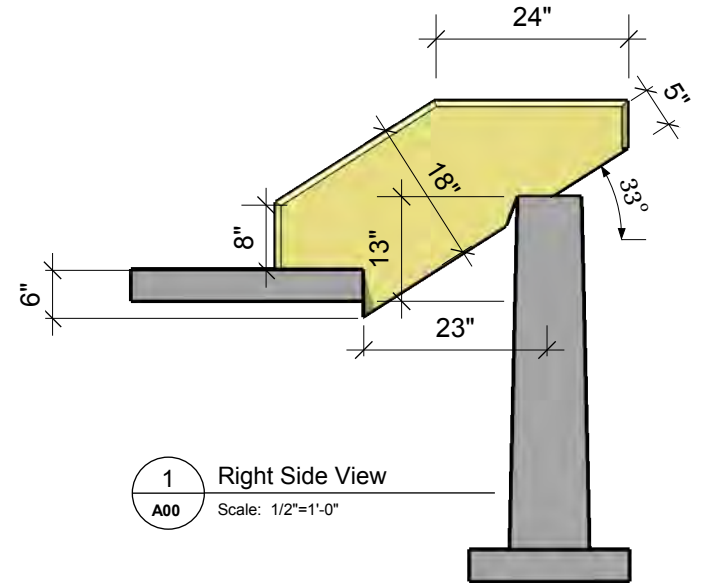


3 Iso View
A00 Scale: NTS

Precast Deck Pier
(Sold Separately)



0 Front View
A00 Scale: 1/2"=1'-0"



1 Right Side View
A00 Scale: 1/2"=1'-0"

ATLAS CONCRETE PRODUCTS

www.AtlasConcrete.com

65 Burrirt St.
New Britain CT 06053

800-774-1112
860-224-2244
860-224-2255 Fax



Banking Step - 3 Rise
2050 Lbs