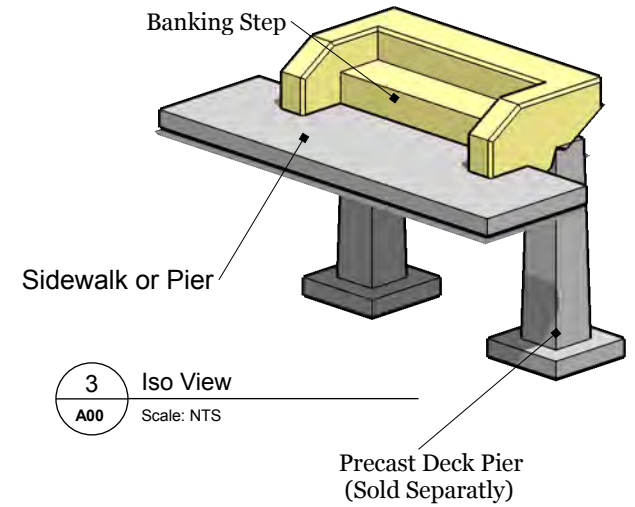
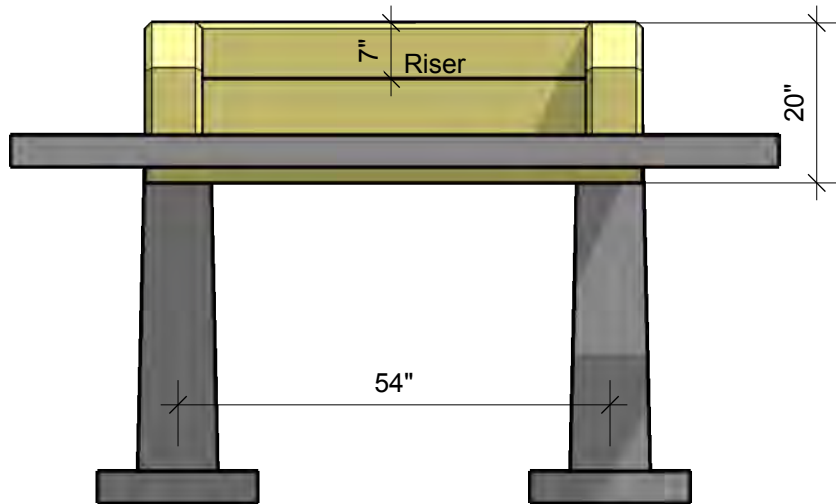


2 Top View  
A00 Scale: 1/2"=1'-0"

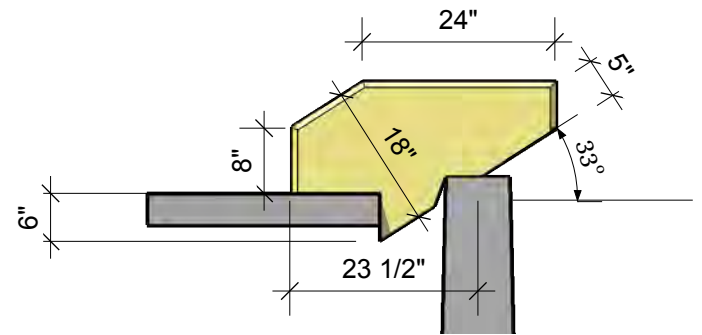
**7" Rise  
11" Tread**



3 Iso View  
A00 Scale: NTS



0 Front View  
A00 Scale: 1/2"=1'-0"



1 Right Side View  
A00 Scale: 1/2"=1'-0"

**ATLAS CONCRETE PRODUCTS**

www.AtlasConcrete.com

65 Burrirt St.  
New Britain CT 06053

800-774-1112  
860-224-2244  
860-224-2255 Fax



**Banking Step - 2 Rise  
1350 Lbs**