

MDE Semiconductor, Inc.

78-150 Calle Tampico, Unit 210, La Quinta, CA., USA 92253 Tel: 760-564-8656 • Fax: 760-564-2414
1-800-831-4881 Email: sales@mdesemiconductor.com Web: www.mdesemiconductor.com

Metal Oxide Varistors

High Energy S Series 34mm Disc

| PART NUMBER | Varistor Voltage | Maximum Allowable Voltage | | Max Clamping Voltage (8/20 μ S) | | Max. Energy (J) | Max Peak Current (8/20 μ S) | | Typical Capacitance (Reference) | Dimensions | |
|-------------|------------------|---------------------------|--------|-------------------------------------|--------|-----------------|---------------------------------|-------------|---------------------------------|------------|------------|
| | V@1mA (v) | ACrms (v) | DC (v) | Vc (v) | Ip (A) | | 1 time (A) | 2 times (A) | | 1kHz (pF) | T max (mm) |
| MDE-34S201K | 200 (185-225) | 130 | 175 | 340 | 300 | 310 | 40000 | 30000 | 10000 | 6.80 | 4.90 |
| MDE-34S221K | 220 (198-242) | 140 | 180 | 360 | 300 | 330 | 40000 | 30000 | 9000 | 6.80 | 4.90 |
| MDE-34S241K | 240 (216-264) | 150 | 200 | 395 | 300 | 360 | 40000 | 30000 | 8000 | 7.00 | 5.10 |
| MDE-34S271K | 270 (243-297) | 175 | 225 | 455 | 300 | 390 | 40000 | 30000 | 7100 | 7.10 | 5.20 |
| MDE-34S301K | 300 (270-330) | 195 | 250 | 500 | 300 | 405 | 40000 | 30000 | 6000 | 7.30 | 5.40 |
| MDE-34S331K | 330 (297-363) | 210 | 275 | 545 | 300 | 430 | 40000 | 30000 | 4800 | 7.50 | 5.60 |
| MDE-34S361K | 360 (324-396) | 230 | 300 | 595 | 300 | 460 | 40000 | 30000 | 5600 | 7.70 | 5.80 |
| MDE-34S391K | 390 (351-429) | 250 | 330 | 650 | 300 | 490 | 40000 | 30000 | 5000 | 7.90 | 6.00 |
| MDE-34S431K | 430 (387-473) | 275 | 370 | 710 | 300 | 550 | 40000 | 30000 | 4500 | 8.10 | 6.20 |
| MDE-34S471K | 470 (423-517) | 300 | 385 | 775 | 300 | 600 | 40000 | 30000 | 4000 | 8.40 | 6.50 |
| MDE-34S511K | 510 (459-561) | 320 | 420 | 845 | 300 | 640 | 40000 | 30000 | 3800 | 8.70 | 6.80 |
| MDE-34S561K | 560 (504-616) | 360 | 470 | 925 | 300 | 710 | 40000 | 30000 | 3600 | 9.00 | 7.10 |
| MDE-34S621K | 620 (558-682) | 390 | 505 | 1025 | 300 | 800 | 40000 | 30000 | 3300 | 9.40 | 7.50 |
| MDE-34S681K | 680 (612-748) | 420 | 560 | 1120 | 300 | 910 | 40000 | 30000 | 3000 | 9.80 | 7.90 |
| MDE-34S751K | 750 (675-825) | 460 | 615 | 1240 | 300 | 920 | 40000 | 30000 | 2800 | 10.00 | 8.00 |
| MDE-34S781K | 780 (702-858) | 485 | 640 | 1290 | 300 | 930 | 40000 | 30000 | 2700 | 10.20 | 8.30 |
| MDE-34S821K | 820 (738-902) | 510 | 675 | 1355 | 300 | 940 | 40000 | 30000 | 2500 | 10.70 | 8.80 |
| MDE-34S911K | 910 (819-1001) | 550 | 745 | 1500 | 300 | 960 | 40000 | 30000 | 1800 | 10.90 | 9.00 |
| MDE-34S951K | 950 (855-1045) | 575 | 765 | 1570 | 300 | 1000 | 40000 | 30000 | 1700 | 11.20 | 9.30 |
| MDE-34S102K | 1000 (900-1100) | 625 | 825 | 1650 | 300 | 1050 | 40000 | 30000 | 1600 | 11.70 | 9.80 |
| MDE-34S112K | 1100 (990-1210) | 680 | 895 | 1815 | 300 | 1150 | 40000 | 30000 | 1550 | 12.80 | 10.90 |
| MDE-34S122K | 1200 (1080-1320) | 750 | 980 | 1980 | 300 | 1200 | 40000 | 30000 | 1500 | 13.80 | 11.90 |
| MDE-34S162K | 1600 (1414-1728) | 1000 | 1200 | 2700 | 300 | 1600 | 40000 | 30000 | 1400 | 14.00 | 12.50 |
| MDE-34S182K | 1800 (1620-1980) | 1100 | 1400 | 3250 | 300 | 1800 | 40000 | 30000 | 1300 | 14.90 | 13.00 |

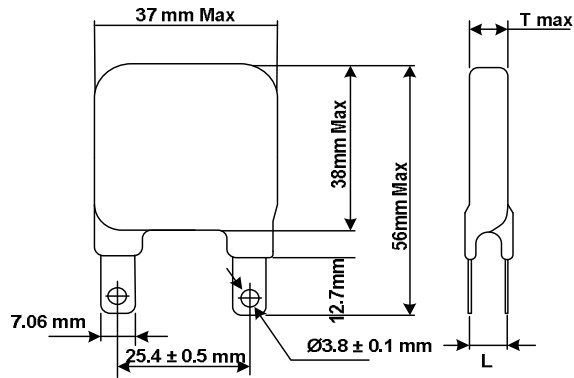
MDE Semiconductor, Inc.

78-150 Calle Tampico, Unit 210, La Quinta, CA., USA 92253 Tel: 760-564-8656 • Fax: 760-564-2414
1-800-831-4881 Email: sales@mdesemiconductor.com Web: www.mdesemiconductor.com

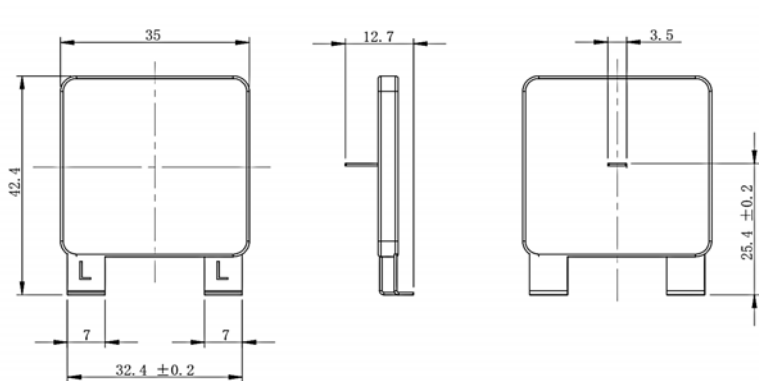
Metal Oxide Varistors

High Energy S Series 34mm Disc

Option 1



Option 2



Option 3

