

SUBMITTAL SHEET



www.akwsupply.com

TEL: 714-919-7814 FAX: 714-464-5474

Job Name: _____

Contractor: _____

Location: _____

Quantity: _____

Engineer: _____

Date: _____

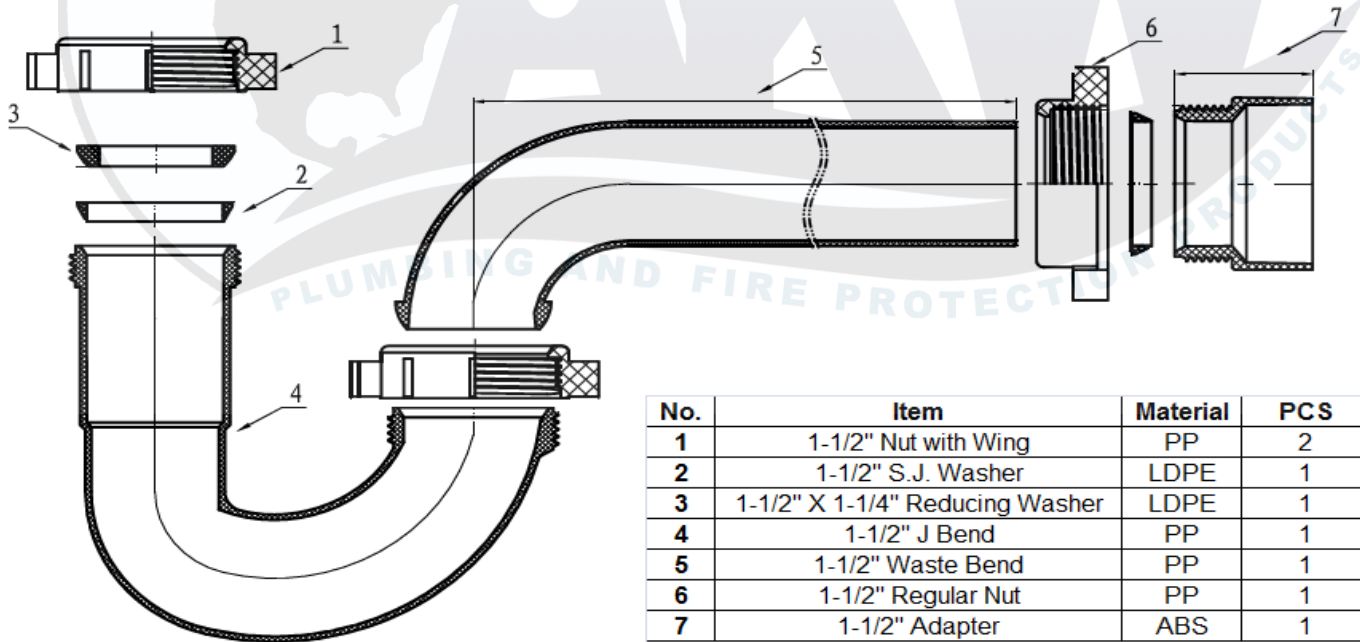
PVC P-Traps

Features

- * Meets ASTM F409
- * Easy Grip Wing Nuts
- * Black Color
- * Full Sweep J Bend
- * Ground Joint Connection
- * IAPMO Approved



Specification



No.	Item	Material	PCS
1	1-1/2" Nut with Wing	PP	2
2	1-1/2" S.J. Washer	LDPE	1
3	1-1/2" X 1-1/4" Reducing Washer	LDPE	1
4	1-1/2" J Bend	PP	1
5	1-1/2" Waste Bend	PP	1
6	1-1/2" Regular Nut	PP	1
7	1-1/2" Adapter	ABS	1

AKW Supply Co. product specifications and dimensions are approximate and are provided for reference only. It's the user's responsibility to observe and adapt such precautions as may be advisable for the protection of personnel and property in the handling and use of our products. AKW Supply Co. reserves the right to change or modify product design, construction, specification, model number or material without prior notice and without incurring any obligation to make such changes on AKW Supply Co. previously sold.

