

SUBMITTAL SHEET



www.akwsupply.com

TEL: 714-919-7814 FAX: 714-464-5474

Job Name: _____

Contractor: _____

Location: _____

Quantity: _____

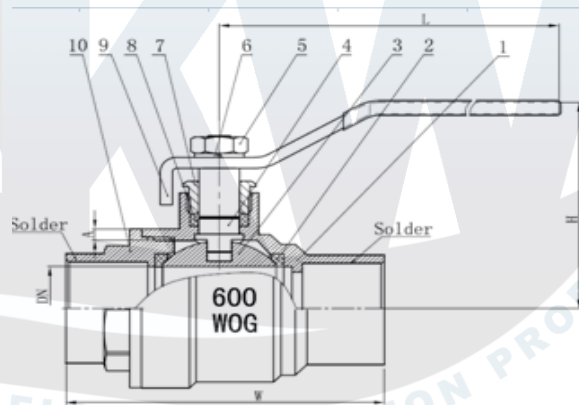
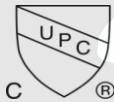
Engineer: _____

Date: _____

Brass Ball Valves

Features

- * Full Port
- * Solid Brass Body
- * PTFE Packing
- * Blow-out Proof Stem
- * Comply with NSF/ANSI 61
- * IAPMO Approved
- * Lead-Free



Specification

Body Material: C37700, C46500 Brass

Max. Cold Working Pressure: 600 PSI

Working Temp: -20F to 300F

Size: 1/2" to 2"

Connection: Thread X Thread or Solder X Solder

SIZE	1/2"	3/4"	1"	1-1/4"	1-1/2"	2"
DN (in)	0.512	0.748	0.984	1.240	1.476	1.949
W (in)	1.940	2.650	3.310	3.740	4.250	5.040
H (in)	1.730	1.890	2.140	2.320	2.660	3.010
L (in)	3.350	3.350	4.290	4.290	5.630	5.630

No.	Parts	Material
1	Body	Brass
2	Seat	PTFE
3	Ball	S.S./Brass
4	Stem	Brass
5	Handle Nut	Plated Steel
6	Lock Washer	Plated Steel
7	Packing Nut	Brass
8	Packing	PTFE
9	Handle	Plated Steel
10	Cap	Brass

AKW Supply Co. product specifications and dimensions are approximate and are provided for reference only. It's the user's responsibility to observe and adapt such precautions as may be advisable for the protection of personnel and property in the handling and use of our products. AKW Supply Co. reserves the right to change or modify product design, construction, specification, model number or material without prior notice and without incurring any obligation to make such changes on AKW Supply Co. previously sold.