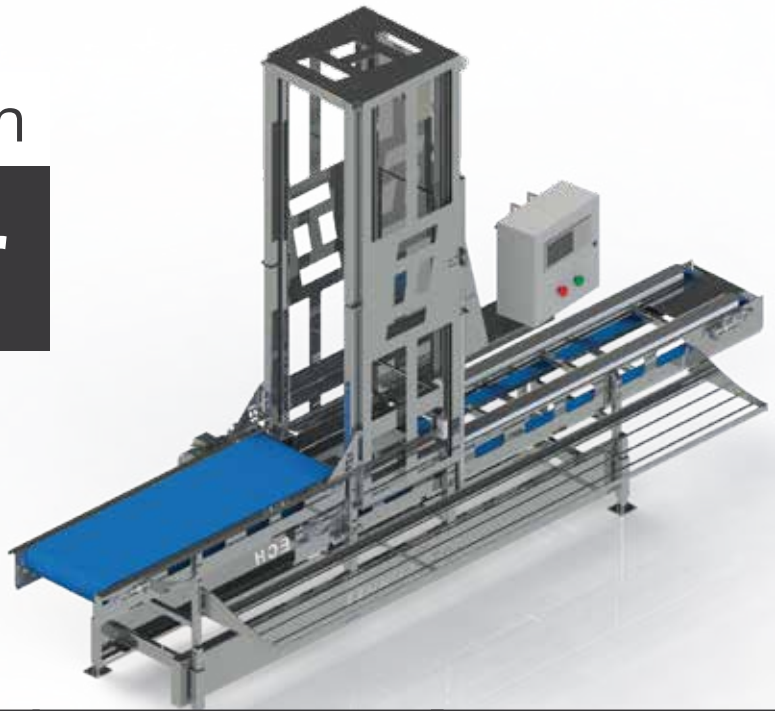


introducing the Innotech

# Flat Stacker



GENERATION 4

Flats & Lugs

1-2 Second  
Cycle Time

Touch Screen  
Interface

Safety Lockouts



ADD TO ANY  
DUMPING LINE

Designed for Numerous Flat/Lug Sizes  
Mobile with Locking Casters  
Robust . Reliable . Low Maintenance

**INNOTECH**  
Process Equipment  
Parts . Sales . Service . Manufacturing

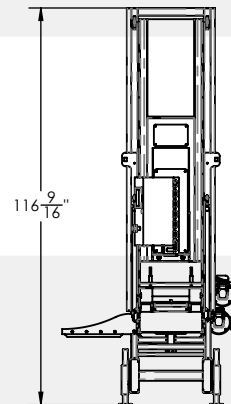
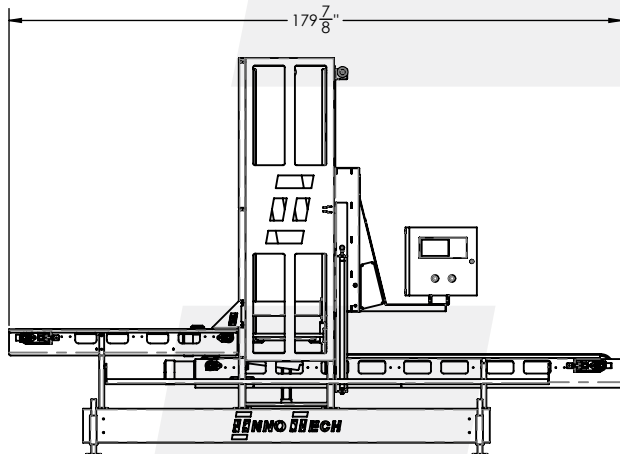
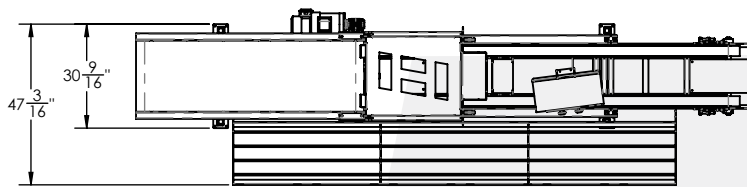
[INNOTECHPROCESSEQUIPMENT.COM](http://INNOTECHPROCESSEQUIPMENT.COM)



Solution Based Engineering  
Superior Quality Manufacturing  
Exceptional Customer Service



# Specifications Flat Stacker



1,875LBS

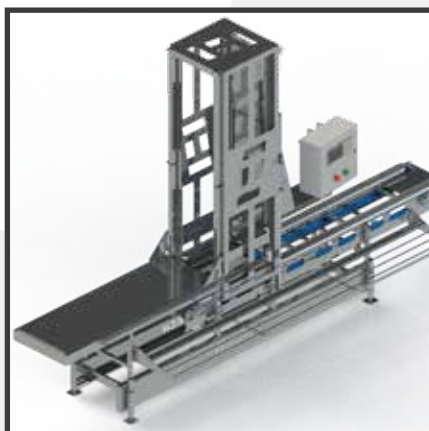
- 110v Source powers entire unit
- Touch screen interface
- Able to stack short and tall flats
- Attach to any existing dumping line
- Entire unit is height adjustable
- Side panels open for easy cleaning
- Magnetic lockout on access doors
- Adjustable conveyor speed
- Modular Belting
- Locking Casters
- Adjustable stack count
- All washdown motors and bearings



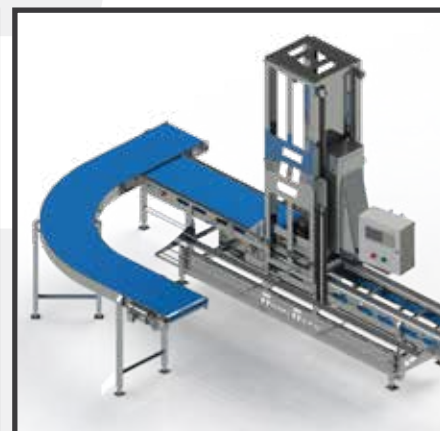
Short Infeed



Indexing



Table



Curved